

# HD74LS122 ● Retriggerable Monostable Multivibrators (with Clear)

This d-c triggered multivibrator features output pulse width control by three methods. The basic pulse time is programmed by selection of external resistance and capacitance values. The HD74LS122 has internal timing resistor that allows the circuit to be used with only an external capacitor, if so desired. Once triggered, the basic pulse width may be extended by retriggering the gated low-level-active (A) or high-level-active (B) inputs or be reduced by use of the overriding clear. Fig. 1 illustrates pulse control by retriggering and early clear. This device is provided enough Schmitt hysteresis to ensure jitter-free triggering from the B input with transition rates as slow as 0.1 mV/ns.

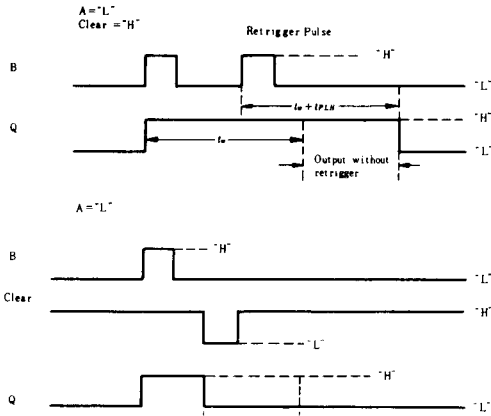
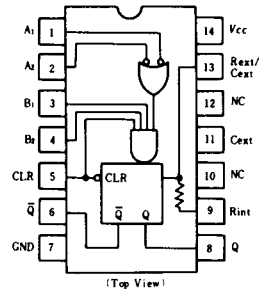


Fig. 1 Typical Input/Output Pulses

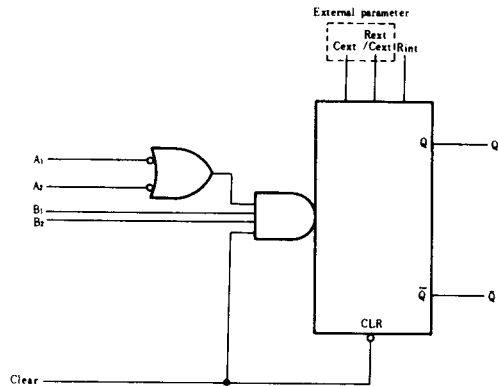
## RECOMMENDED OPERATING CONDITIONS

Item	Symbol	min	typ	max	Unit
Input pulse width	$t_w$	40	—	—	ns
External timing resistance	$R_{ext}$	5	—	260	k $\Omega$
External capacitance	$C_{ext}$	Non restriction			
Wiring capacitance at $R_{ext}/C_{ext}$ terminal	$R_{ext}/C_{ext}$	—	—	50	pF

## PIN ARRANGEMENT



## BLOCK DIAGRAM



## FUNCTION TABLE

Clear	Inputs				Outputs	
	A <sub>1</sub>	A <sub>2</sub>	B <sub>1</sub>	B <sub>2</sub>	Q	$\bar{Q}$
L	X	X	X	X	L	H
X	H	H	X	X	L	H
X	X	X	L	X	L	H
X	X	X	X	L	L	H
H	L	X	↑	H	[one high-level pulse]	[one low-level pulse]
H	L	X	H	↑	[one high-level pulse]	[one low-level pulse]
H	X	L	↑	H	[one high-level pulse]	[one low-level pulse]
H	X	L	H	↑	[one high-level pulse]	[one low-level pulse]
H	H	↓	H	H	[one high-level pulse]	[one low-level pulse]
H	↓	↓	H	H	[one high-level pulse]	[one low-level pulse]
H	↓	H	H	H	[one high-level pulse]	[one low-level pulse]
↑	L	X	H	H	[one high-level pulse]	[one low-level pulse]
↑	X	L	H	H	[one high-level pulse]	[one low-level pulse]

H; high level, L; low level, X; irrelevant.  
 ↑; transition from low to high level.  
 ↓; transition from high to low level.  
; one high-level pulse.  
; one low-level pulse.

# HD74LS122

## ELECTRICAL CHARACTERISTICS ( $T_a = -20 \sim +75^\circ\text{C}$ )

Item	Symbol	Test Conditions	min	typ*	max	Unit
Input voltage	$V_{IH}$		2.0	—	—	V
	$V_{IL}$		—	—	0.8	V
Output voltage	$V_{OH}$	$V_{CC} = 4.75\text{V}, V_{IH} = 2\text{V}, V_{IL} = 0.8\text{V}, I_{OH} = -400\mu\text{A}$	2.7	—	—	V
	$V_{OL}$	$V_{CC} = 4.75\text{V}, V_{IH} = 2\text{V}, V_{IL} = 0.8\text{V}$	—	—	0.4	V
Input current	$I_{IH}$	$V_{CC} = 5.25\text{V}, V_I = 2.7\text{V}$	—	—	20	$\mu\text{A}$
	$I_{IL}$	$V_{CC} = 5.25\text{V}, V_I = 0.4\text{V}$	—	—	-0.4	mA
	$I_I$	$V_{CC} = 5.25\text{V}, V_I = 7\text{V}$	—	—	0.1	mA
Short-circuit output current	$I_{OS}$	$V_{CC} = 5.25\text{V}$	-20	—	-100	mA
Supply current **	$I_{CC}$	$V_{CC} = 5.25\text{V}$	—	6	11	mA
Input clamp voltage	$V_{IK}$	$V_{CC} = 4.75\text{V}, I_{IN} = -18\text{mA}$	—	—	-1.5	V

\*  $V_{CC} = 5\text{V}, T_a = 25^\circ\text{C}$

\*\* With all outputs open and 4.5V applied to all data and clear inputs,  $I_{CC}$  is measured after a momentary ground, then 4.5V, is applied to clock.

Note) To measure  $V_{OH}$  at Q,  $V_{OL}$  at  $\bar{Q}$ , or  $I_{OS}$  at Q, ground  $R_{ext}/C_{ext}$ , apply 2V to B and clear, and pulse A from 2V to 0V.

## SWITCHING CHARACTERISTICS ( $V_{CC} = 5\text{V}, T_a = 25^\circ\text{C}$ )

Item	Symbol	Inputs	Outputs	Test Conditions	min	typ	max	Unit
Propagation delay time	$t_{PLH}$	A	Q	$C_{ext} = 0$ $R_{ext} = 5\text{k}\Omega$ $C_L = 15\text{pF}$ $R_L = 2\text{k}\Omega$	—	23	33	ns
	$t_{PHL}$		$\bar{Q}$		—	32	45	
	$t_{PLH}$	B	Q		—	23	44	
	$t_{PHL}$		$\bar{Q}$		—	34	56	
	$t_{PLH}$	Clear	Q		—	20	27	
	$t_{PHL}$		$\bar{Q}$		—	28	45	
Output pulse width	$t_{out(min)}$	A or B	Q	$C_{ext} = 1000\text{pF}, R_{ext} = 10\text{k}\Omega$ $C_L = 15\text{pF}, R_L = 2\text{k}\Omega$	—	116	200	$\mu\text{s}$
	$t_{out}$	A or B	Q		4	4.5	5	

## TYPICAL APPLICATION DATA FOR HD74LS122

For pulse widths when  $C_{ext} \leq 1000\text{pF}$ , See Fig. 3.

The output pulse is primarily a function of the external capacitor and resistor. For  $C_{ext} > 1000\text{pF}$ , the output pulse width ( $t_w$ ) is defined as:  $t_w(out) = 0.45 \cdot R_{ext} \cdot C_{ext}$

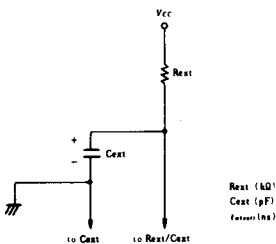


Fig.2 Timing Component Connections

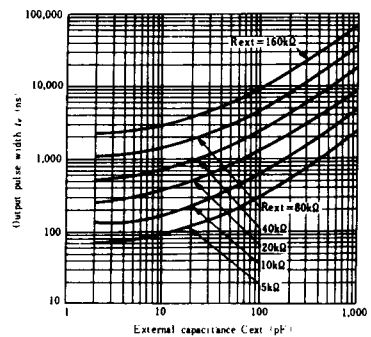
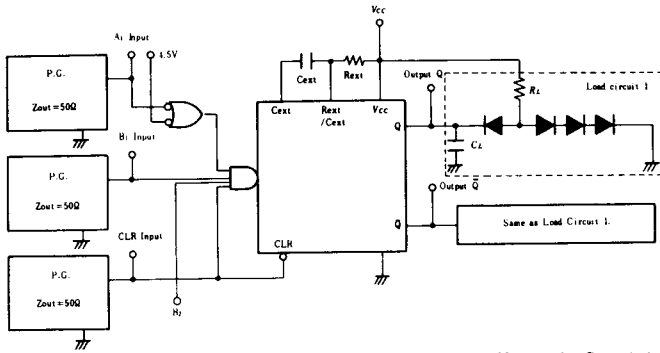


Fig.3 Typical Output Pulse Width ( $C_{ext} \leq 1000\text{pF}$ )

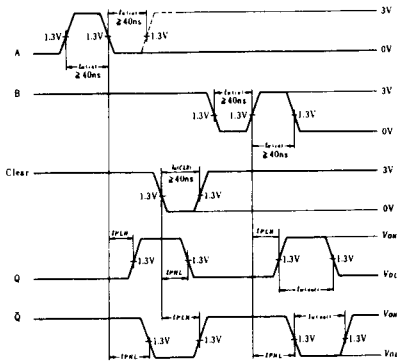
## ■ TESTING METHOD

### 1) Test Circuit



- Notes) 1.  $C_L$  includes probe and jig capacitance.  
 2. All diodes are 1S2074  $\oplus$ .  
 3. Input pulse;  $t_{LH} \leq 15\text{ns}$ ,  $t_{THL} \leq 6\text{ns}$ .

### Waveform

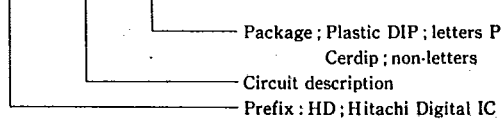


# PACKAGING INFORMATION

T-90-20

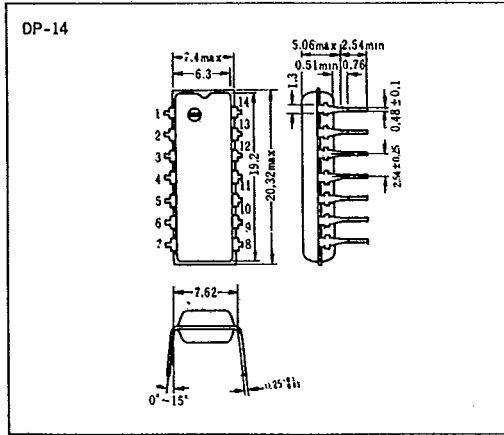
Factory orders for circuits described in this databook should include a three-part type number as explained in the following example.

## HD 74LS00 P

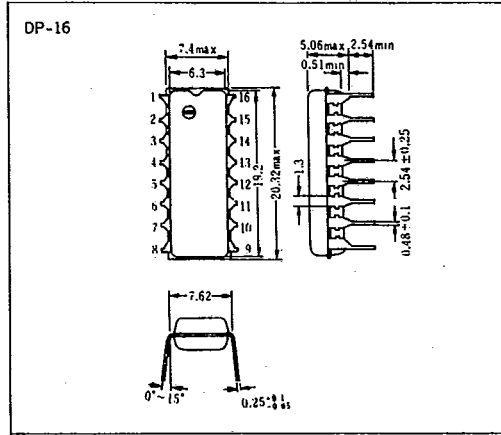


### ■ Plastic DIP

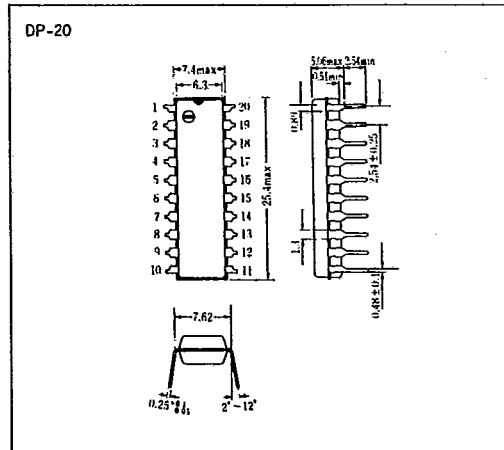
#### ● 14 Pin



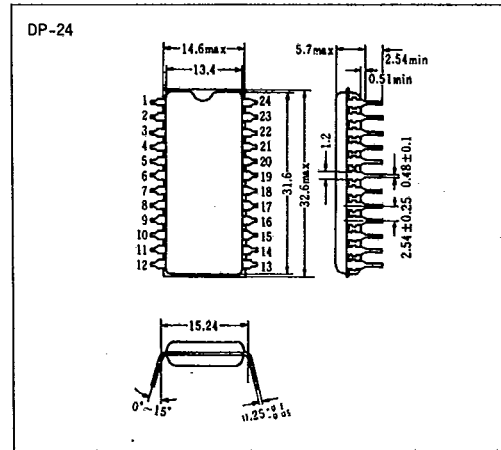
#### ● 16 Pin



#### ● 20 Pin



#### ● 24 Pin

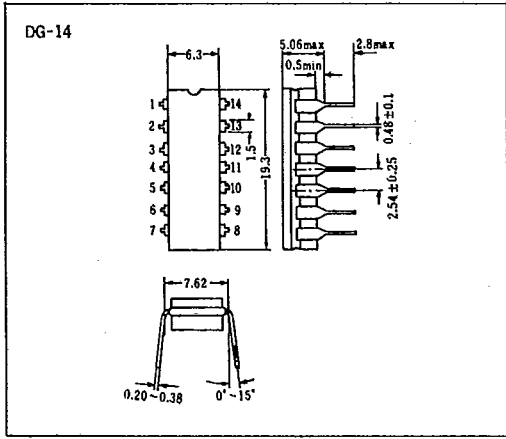


T-90-20

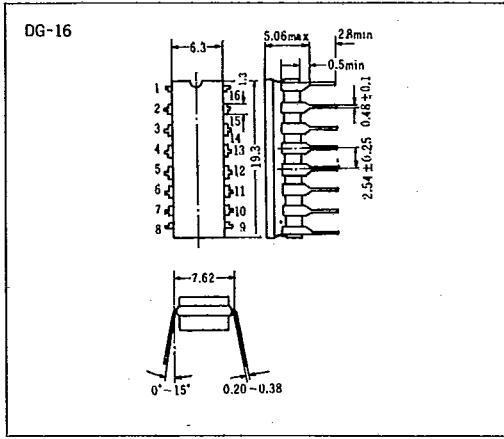
PACKAGING INFORMATION

■ Cerdip

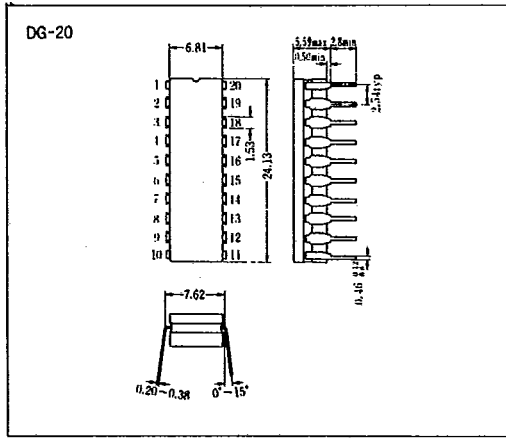
● 14 Pin



● 16 Pin



● 20 Pin



● 24 Pin

