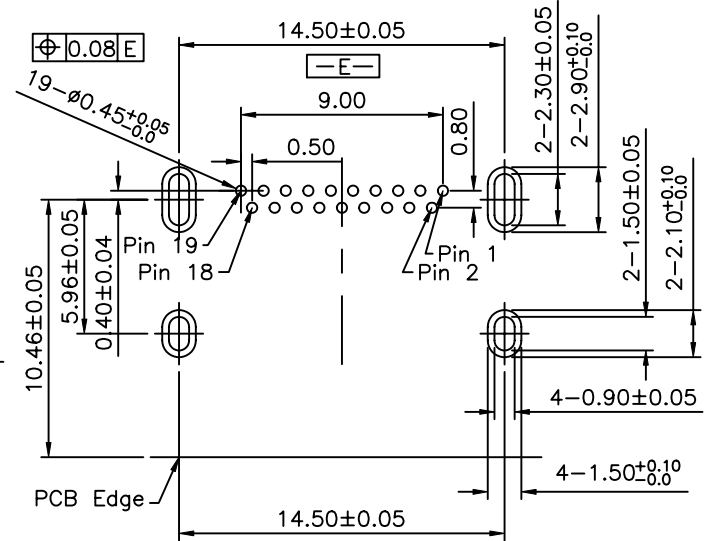
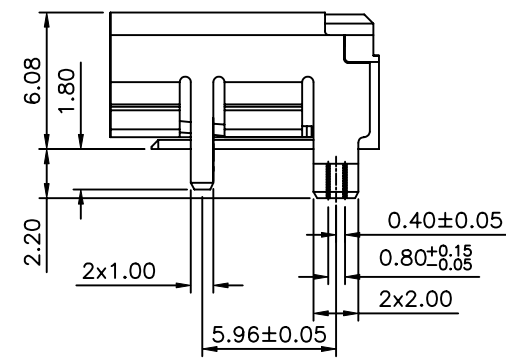
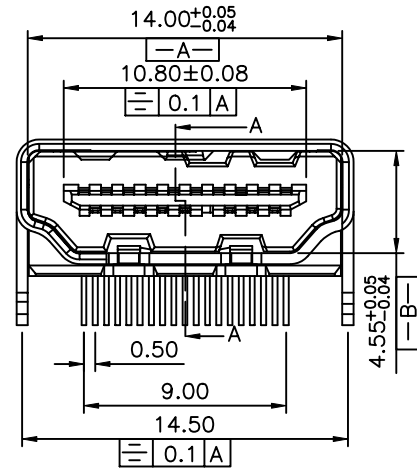
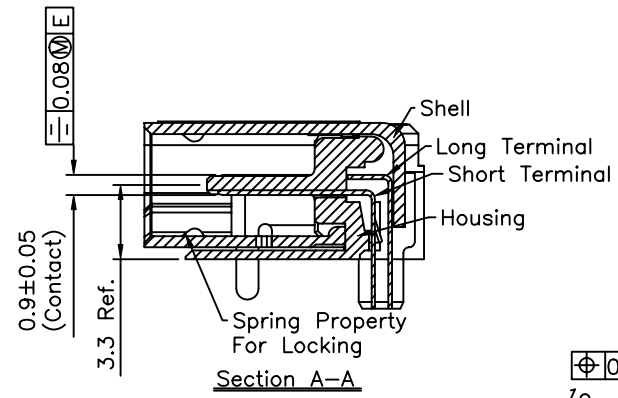
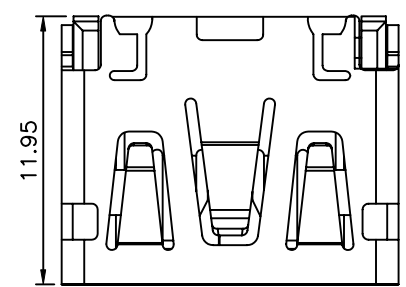
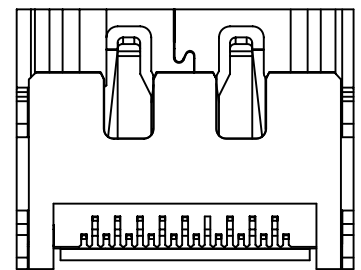


**SPECIFICATION**  
 Housing: High Temp Thermoplastic UL94V-0  
 Color: Black  
 Contact: Phosphor Bronze Thickness=0.20mm  
 Shield: C2680 Thickness=0.50mm  
 Terminal Retention Force To Be 0.3Kgf Min  
 Terminal Cut-Off Burr To Be 0.05 Max  
 RoHS Compliant



Recommended PCB Layout  
 Connector Side(±0.05)



04	Short Terminal	C5191R-H	Gold Flash Over Nickel On Contact Area	9
03	Long Terminal	C5191R-H	Matte Tin Plated On Solder Tail	10
02	Shell	C2680 1/2H	Nickel Plated	1
01	Housing	LCP E130i	Black	1
No.	Name	Material	Finish/Color	Q'ty

**AUK** A MEMBER OF AUK GROUP  
**太聯事業股份有限公司**  
**AUK CONTRACTORS CO., LTD.**

CATEGORY		APPROVED BY		UNLESS OTHERWISE SPECIFIED TOLERANCES ARE .X ±0.25 .XX ±0.20 .X. ±3' .X' ±2'						
PART No. HDM19SR-4-H		CHECKED BY MEI HZF								
DRAWING No. HDM19SR-4-H		DRAWING BY HYY								
SCALE	NONE	REV.	A0		UNIT mm	NO.	REV.	REVISIONS	CHK	DATE
					△ A0		NEW RELEASE	HZF	05/26/2008	