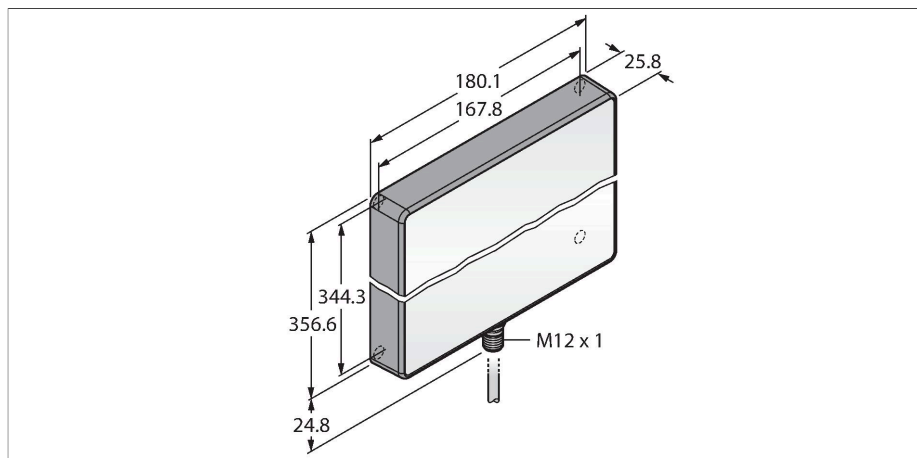


WLAW360X180DQ

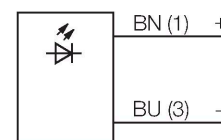
Work Light – Area Light



Features

- Protection classes IP67/IP69K
- Operating voltage: 12...30 VDC
- Color: Cold white
- Illuminance at 1 m: 860 lx
- M12 x 1 connector

Wiring diagram



Functional principle

The energy-efficient LED work lights are ideally suited for industrial applications. The color temperature lies in the range of daylight, between 5,300 and 7000 Kelvin. Depending on the model, the luminous flux ranges between 550 and 2200 lumen. The lights are available on request in the colors warm white, green, red, yellow or blue as well as with different lenses that change the opening angle. Both also affects the luminous flux and the luminous intensity. The electrical connection is either established via standard M12 × 1 connector or pigtail directly at the terminal connection of existing installations.

Technical data

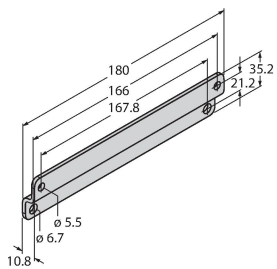
Type	WLAW360X180DQ
ID no.	3019169
Signal and display data	
Purpose	LED work light
Function	Area light
Light type	White
Color temperature	5300...+7000 K
Luminous flux lumen	2200 lm
Aperture angle degree	60 °
LED service life (L70)	50000 h
Dimmable	no
Features of color 1	White, Permanently on, 1430 lm
Special features	Wash down
Electrical data	
Operating voltage	12...30 VDC
DC rated operational current	≤ 1600 mA
Input power	38.4 W
Mechanical data	
Cascadable	no
Design	Rectangular, WLA
Dimensions	381.4 x 180.1 x 25.8 mm
Housing material	Plastic, PBT, Grau
Window material	Acrylic, diffuse
Electrical connection	Connectors, M12 × 1, PVC
Number of cores	4
Ambient temperature	-20...+50 °C

Technical data

Storage temperature	-40...+70 °C
Relative humidity	0...95 %
Protection class	IP67 IP69
Tests/approvals	
Approvals	CE, cULus

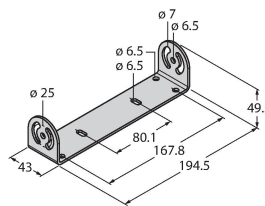
Accessories

SMBBSSM 3012465



Mounting brackets, 316 stainless steel, for wall mounting of WLA work lights, incl. 2 brackets and screw kit

SMBSRA 3017708



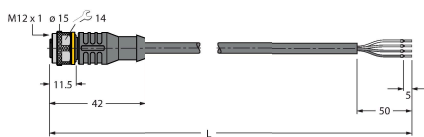
Mounting bracket, 316 stainless steel, for versatile mounting of WLA work lights, bracket can be aligned

SMBWLAMAG 3019672

Magnetic holder for direct mounting of WLA work lights on metallic surfaces, 4 magnets per light required, SMBWLAMAGR as optional scratch protection

Accessories

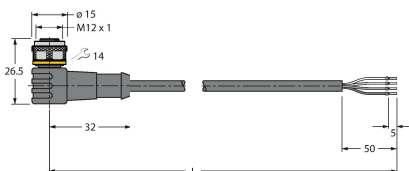
Dimension drawing	Type	ID no.	
-------------------	------	--------	--



RKC4.4T-2/TEL

6625013

Connection cable, female M12, straight, 4-pin, cable length: 2 m, sheath material: PVC, black; cULus approval; other cable lengths and qualities available, see www.turck.com



WKC4.4T-2/TEL

6625025

Connection cable, female M12, angled, 4-pin, cable length: 2 m, sheath material: PVC, black; cULus approval; other cable lengths and qualities available, see www.turck.com