

This drawing is copyright. Information contained thereon is supplied in confidence and must not be used for any other purpose than which it was supplied, or be reproduced without written permission of the owners.

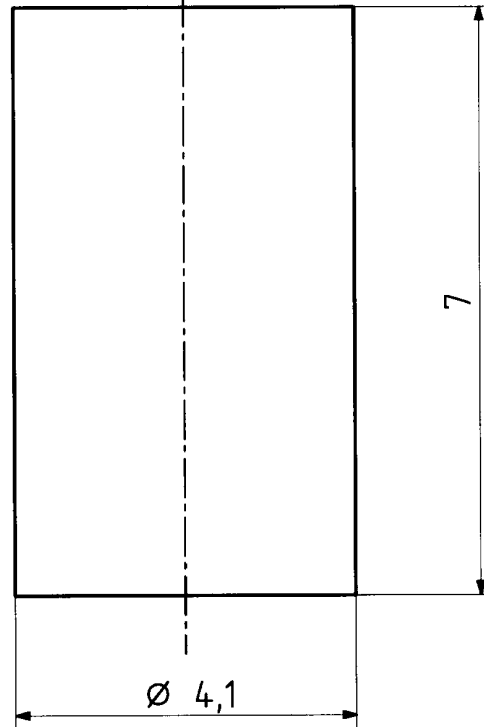
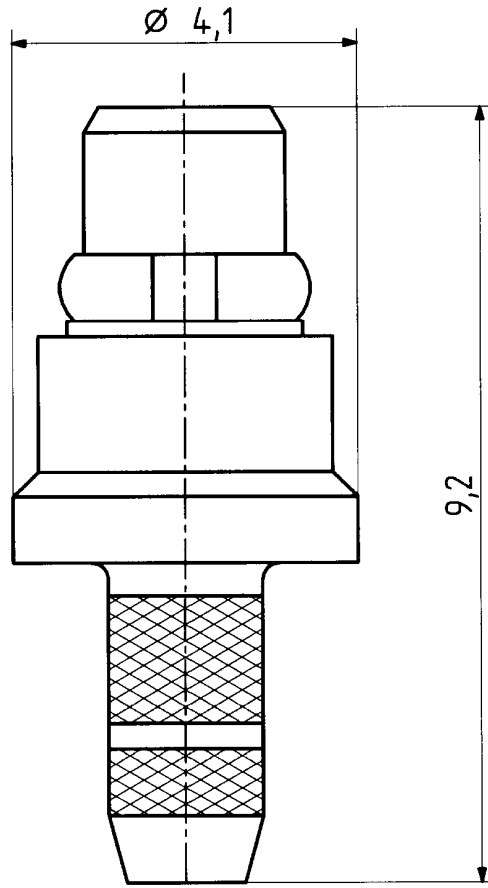
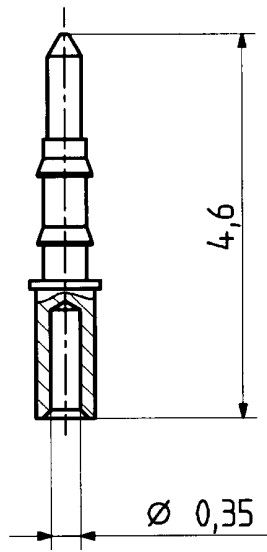
Diese Zeichnung ist unser geistiges Eigentum und darf ohne unsere ausdrückliche Einwilligung weder kopiert, vervielfältigt, noch Dritten oder Konkurrenzfirmen zugänglich gemacht werden.

H+S 701 448.05

type : 11 MMCX-50-1-8		
date	sign	
drawn	04.07.00	4101/MUK
checked	06.07.00	4662/HBT
approved	06.07.00	4662/HBT

cable shortening dimension

scale 2:1



scale

12 : 1

HUBER + SUHNER RFX

dimensions in mm

drawing number

4.13.31477

OZ drawing :

Index

a

Order number:**Type:**

SUHNER Type:	11 MMCX-50-1-8 / 111 OE	Picture
Order Number:	22658312	
Series:	MMCX	
Cable Type:	RG 178 B/U , RG 196 A/U	
Cable entry:		
□ outer contact:	crimped	
□ center contact:	crimped	
Electrical Data:		
Impedance:	50 □	
Frequency Range:	DC ... 6.00 GHz	
□ Material Data:	Material	Surface Plating
Centre contact:	Copper-Beryllium	Gold / nickel underplated
Outer contact:	Brass	Gold / not nickel underplated
Body:	Brass	Gold / not nickel underplated
Insulator:	PTFE/PFA	
Crimp Ferrule:	Copper	Gold / not nickel underplated
General Information:		
Interface according to:	SUHNER MMCX	
Weight:	n/a g/n/a oz	
Packaging:	Single	
Attachment:		
Outline drawing:	S31477	
Assembly Instruction:	M27331	