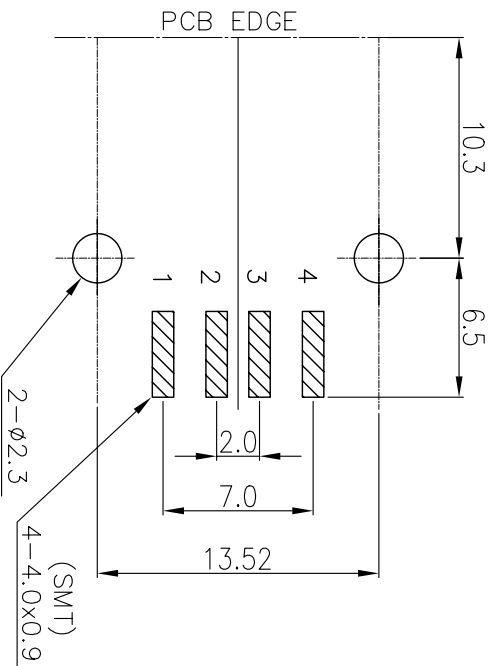
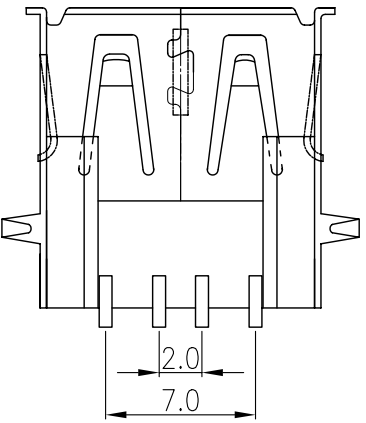
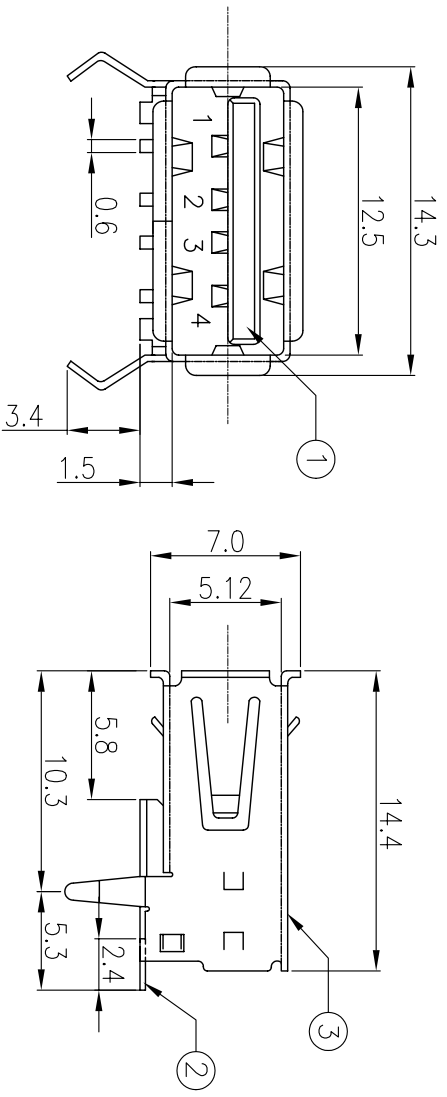


REVISIONS		DATE	APPROVED	SYM	DESCRIPTION	DATE	APPROVED
Δ				Δ			
Δ				Δ			
Δ				Δ			

**CUSTOMER DRAWING FOR REFERENCE ONLY, SAMPLES APPROVAL ARE REQUIRED!!



ORDER INFORMATION:
 USBX021L-R104NGft
 USB: USB CONNECTOR
 X021: SERIES NO.
 -0021:COLOR OF PLASTIC, WHITE
 -1021:COLOR OF PLASTIC, BLACK
 L: LEAD FREE
 R: RIGHT ANGLE AND SURFACE MOUNT
 04: NO. OF CONTACT
 N: SHELL PLATING,
 -NICKEL PLATING
 Gft: PLATING OPTION, GOLD FLASH
 ON CONTACT, TIN PLATING ON
 SOLDER TAIL

NO.	NAME	MATERIAL	FINISH	REMARK	Q'TY
1	HOUSING	NYLON PA9T G.F.	WHITE		1
2	PIN TERM.	PHOS. BRONZE T:0.25	GOLD-TIN PLATED	NI:1~1.5g~1IN~3u. GOLD:1~3u	4
3	SHELL	BRASS T:0.3	NICKEL PLATED	NI:2~3u	1

TOLERANCES UNLESS OTHERWISE SPECIFIED			SIGNATURES		DATE	MODEL
±0.25			DRAWN	CONNIE	24/JAN/05	USB CONNECTOR
			CHECKED	SAM	24/JAN/05	
			APPROVALS			
						NO. USB_021L-R104NGft

MMT CORPORATION

TEL:(510)979-2188

www.mmtmachrone.com

FAX:(510)979-2189