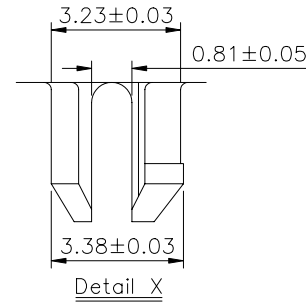
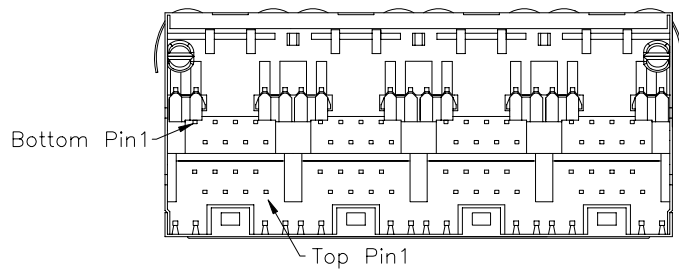
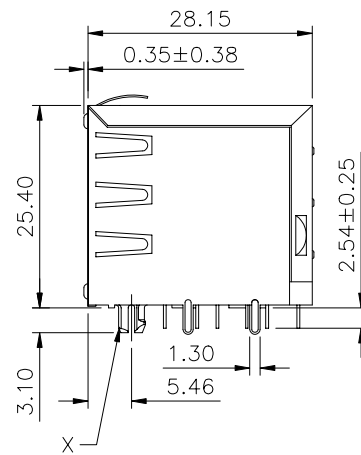
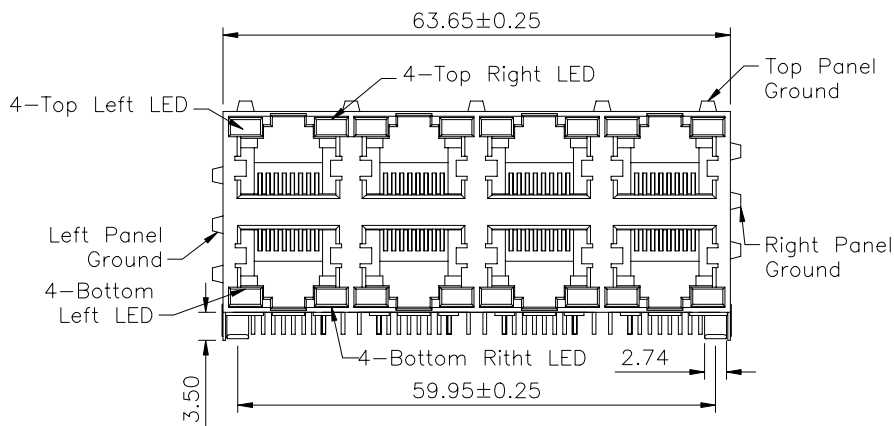


SPECIFICATION
 Bottom Housing: DSM Stanyl TE250F6,Nylon 46
 Heat Deflection Temp.290°C
 UL 94V-0,Black
 Top Housing: PBT Polyester UL 94V-0
 Mixed Glass Fiber,Black
 Contacts: Phosphor Bronze
 With Hard Gold Plated And
 Gold Flash In Solder Area
 Shield: Copper Alloy,Nickel Plated
 Cavity Confirms To FCC Rules And Regulations
 RoHS Compliant



Code	Forward	Reverse
X	Without LED	
G	Green	—
Y	Yellow	—
R	Red	—
A	Green	Red
C	Green	Yellow(Amber)
D	Yellow	Red
E	Yellow	Green
F	Red	Green
H	Red	Yellow
I	Beige	—
J	Green	Orange
K	Black	—
L	Lime	—
M	Orange	Green

MJUL0808B04FFXX X X-H
 (1)(2)(3)

- (1)Contact Finish
 01: Gold Flash
 06: 6u"
 15: 15u"
 30: 30u"
 50: 50u"

- (2)Right LED Color
- (3)Left LED Color



CATEGORY	APPROVED BY	MEI	UNLESS OTHERWISE SPECIFIED TOLERANCES ARE
PART No. MJUL0808B04FFXXXX-H	CHECKED BY	HZF	.X ±0.25
DRAWING No. MJUL0808B04FFXXXX-H	DRAWING BY	HYY	.XX ±0.13
SCALE NONE	REV.	B0	.XXX ±0.05
			ANG. ±0.5°
			UNIT mm

NO.	REV.	REVISIONS	CHK	DATE
△	B0	Modify P/N: MJUL0808B04FF06YG → MJUL0808B04FFXXXX-H	HZF	04/23/2009
△	B0	NEW RELEASE	HZF	04/23/2009