



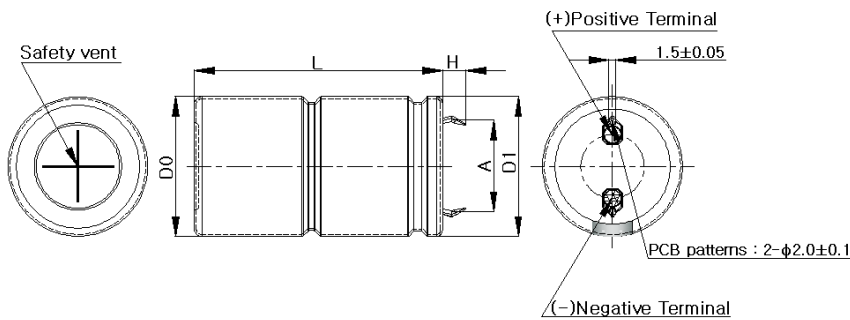
NESSCAP® Ultracapacitor Products

Features

EDLC(Electric Double Layer Capacitor)
 Two snap-in terminals and radial design
 Compliant with RoHS requirement (Ex : Cd, Pb)

Dimension

Dimension in mm (not to scale)



Capacitance	Dimension (mm)				
	D0 (+0.3)	D1 (+0.3)	L (+0.5)	H (+0.2)	A (±0.1)
360F	35.3	35.7	62.9	5.0	22.5

Product & Spec.

Rated Capacitance	Internal Resistance (mΩ)		Max. Current (A)	Leakage Current (mA)	Stored Energy (Wh)	Specific Energy (Wh/kg)	Weight (g)	Part Number
	AC(100Hz)	DC						
Discharge with constant current at 25°C			1 sec discharge rate to 1/2V _R	72hours, 25°C	at V _R	Gravimetric		
360F	< 3.2	< 3.2	226	0.74	0.365	5.57	65.5	ESHSR-0360C0-002R7

Rated Voltage, V _R	2.7 V	
Surge Voltage	2.85 V	
Capacitance Tolerance	0% / +20%	
Operating Temperature Range	-40 ~ 65 °C	ΔC < 5% and ΔESR < 0.5 times of initially measured value at 25°C, respectively
Storage Temperature Range	-40 ~ 70 °C	
Life Time at RT ⁽¹⁾	10 years	(1) ΔC < 20% and ΔESR < 1 times of initially specified value, respectively and LC < specified value
Cycle Life (25°C) ⁽¹⁾⁽²⁾	500,000 cycles	(2) Cycle : between rated voltage and half rated voltage under constant current at 25°C

* Life time is provisional value

© NESSCAP 2007. All Rights reserved. Design, Specifications are subjected to change without notice.