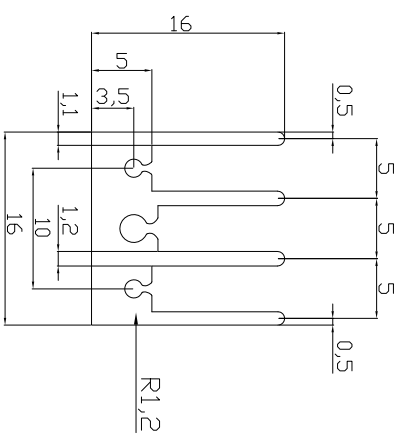
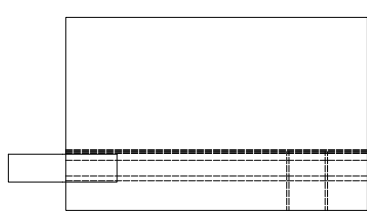
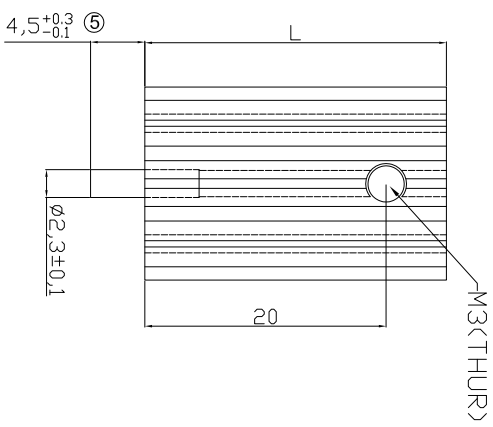


1	2	3	4	5	6	7	A
1	2	3	4	5	6	7	A
1	2	3	4	5	6	7	B
1	2	3	4	5	6	7	C
1	2	3	4	5	6	7	D
1	2	3	4	5	6	7	E
1	2	3	4	5	6	7	F
1	2	3	4	5	6	7	G
1	2	3	4	5	6	7	H



Material:AL6063-T5  
Finish: Black anodized

ROHS compliant  
Unit: mm

③

Scale	Free TOLERANCE	Id.	Modification	Date	Name
0-6	±0.10	⑤	Update the Pin tolerance	12.05.2020	Segal
6-30	±0.20	④	Update the thermal resistance and add the thermal graph on page 2	18.01.2020	Segal
30-120	±0.30	③	Add the tolerance	03.04.2019	Segal
120-400	±0.50	②	Modify drawing layout	10.03.2010	Alex
DIM	TOL	①	Drawn	11.08.2009	Dean
Angle	±0.5°				

Option	L	Thermal resistance(K/W)
V7700W	25	13.9
V7700X	37.5	11.2

Customer-No.	ASSMANN WSW-No.	V7700X
Drawing-No.	ASS 0872 HS	rev05
Replace		Sheet 1/2



1

2

3

4

5

6

7

A

④ V7700X

B

C

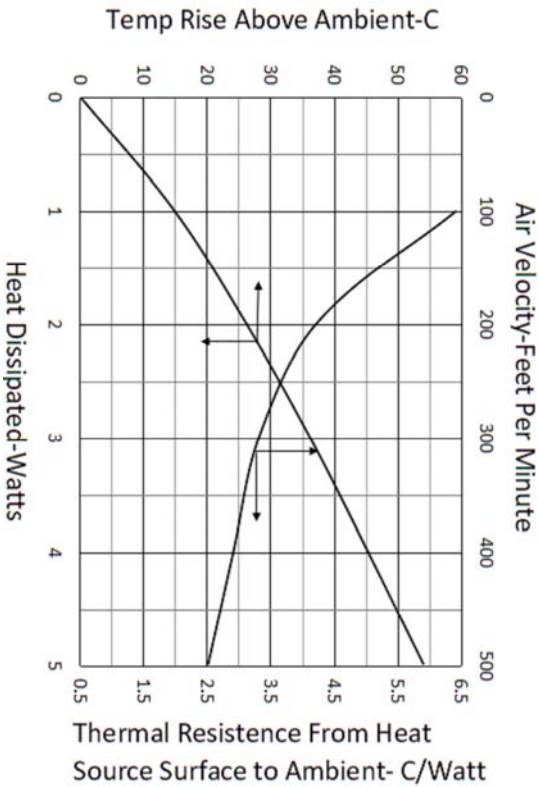
D

E

F

G

H



Thermal Power (W)	Temp Rise (C)
0	0
1	14.8
2	26.1
3	36.1
4	45.2
5	54.0

Note: Natural convection cooling

Air Velocity (Feet/Minute)	Thermal Resistance (C/W)
100	6.4
200	4.2
300	3.3
400	2.9
500	2.5

ROHS compliant

③

Scale	Free TOLERANCE
0-6	±0.10
6-30	±0.20
30-120	±0.30
120-400	±0.50
DIM	TOL
Angle	±0.5°

Id.	Modification	Date	Name
⑤	Update the Pin tolerance	12.05.2020	Segal
④	Update the thermal resistance and add the thermal graph on page 2	18.01.2020	Segal
③	Add the tolerance	03.04.2019	Segal
②	Modify drawing layout	10.03.2010	Alex
①	Drawn	11.08.2009	Dean

Date	Name
11.08.2009	Dean
12.05.2020	Segal

Customer-No.	ASSMANN WSW-No.	V7700X
Drawing-No.	ASS 0872 HS	rev05
Replace	Sheet	2/2

1

2

3

4

5

6

7