

Wire to Board Connectors

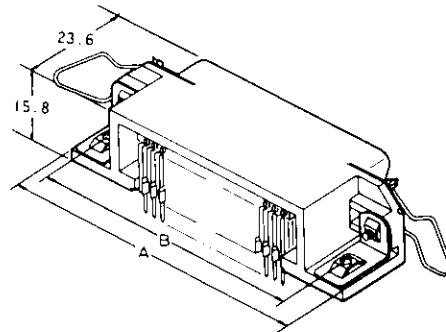
CHAMP Right Angle PC Board Connectors (With Bail Clip)

Receptacle Assembly Shielded Type

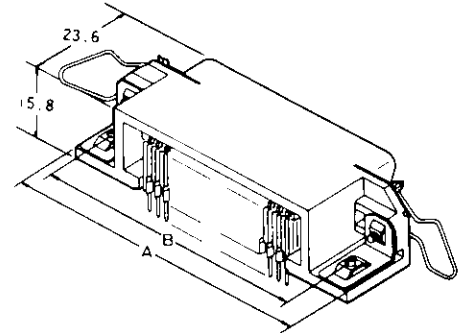
Material and Finish :

- Housing — Black glass filled P.B.T., UL94V-0 rated
- Contact — Phosphor bronze, nickel underplated, selective gold on contact area
- Shield, Grounding Bracket — Carbon steel, 2µm min. bright tin-lead over copper underplated
- Bail Clip — Passivated stainless steel wire
- Retention Leg — Tin-lead plated brass
- Bail Mount Bracket, M3 Screw — Carbon Steel, bright zinc plated

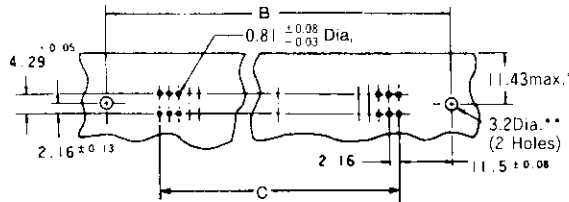
Product Spec. : 108-5187



Plug



Receptacle



Recommended PC Board Layout
Applicable board thickness: 1.6-3.2mm

* Max. Dimension for rear panel mounting.
**Recommended self tapping JIS B 1122 pan head 3 class 3 X 10

No. of Pos.	Dimensions			Sel. Gold thick. (µm)	Wor W/O Retention Leg	W W/O Grounding Bracket (EMI)	Part No. of Connectors		
	A	B	C				Plug	Receptacle	
24	55.3	46.79	23.76	0.76	No	Yes	-	1-173011-1	
					Yes	No	-	2-173011-1	
				0.76	No	Yes	1-173013-2	1-173011-2	
					Yes	No	-	2-173011-2	
36	68.2	59.74	36.72	0.76	No	Yes	-	4-173011-2	
					0.38	No	Yes	-	5-173011-2
				0.10	No	Yes	-	6-173011-2	
					0.38	Yes	No	-	7-173011-2
					0.10	Yes	No	-	8-173011-2