



Raychem

TE Internal #: 289172-000

Hook Up Wire, MIL-DTL-22759, 600V Voltage Rating, Green Wire Color, 18AWG Wire Size, Operating Temperature Range -65 – 150 °C

[View on TE.com >](#)

Wire & Cable > Hook Up Wire



Cable Type: **MIL-DTL-22759**

Voltage Rating: **600 V**

Wire Color: **Green**

Insulation Material: **Modified Radiation Cross-linked ETFE Polymer**

Conductor Material: **Tin-Coated Copper**

**Features**

**Product Type Features**

Cable Style	Primary
Product Type	Wire
Product Classification	Cable - High Performance - Spec 44, 55 & RCW
Cable Type	MIL-DTL-22759

**Configuration Features**

Number of Conductors	1
Number of Strands	19

**Electrical Characteristics**

Voltage Rating	600 V
----------------	-------

**Body Features**

Wire Color	Green
Insulation Material	Modified Radiation Cross-linked ETFE Polymer
Conductor Material	Tin-Coated Copper

**Dimensions**

Overall Outside Diameter	1.52 mm[.06 in]
Wire Diameter	1.52 mm[.06 in]



Conductor Diameter	1.27 mm[.05 in] .003 in
Strand Size	30 AWG
Wire Size	18 AWG

### Usage Conditions

Operating Temperature Range	-65 – 150 °C
-----------------------------	--------------

### Other

Wire Source	United States
-------------	---------------

### Product Compliance

[For compliance documentation, visit the product page on TE.com>](#)

EU RoHS Directive 2011/65/EU	Compliant
EU ELV Directive 2000/53/EC	Compliant
China RoHS 2 Directive MIIT Order No 32, 2016	No Restricted Materials Above Threshold
EU REACH Regulation (EC) No. 1907/2006	Current ECHA Candidate List: JUN 2020 (209) Candidate List Declared Against: JUL 2019 (201) Does not contain REACH SVHC
Halogen Content	Out of Scope - excluded from Halogen requirements
Solder Process Capability	Not applicable for solder process capability

#### Product Compliance Disclaimer

This information is provided based on reasonable inquiry of our suppliers and represents our current actual knowledge based on the information they provided. This information is subject to change. The part numbers that TE has identified as EU RoHS compliant have a maximum concentration of 0.1% by weight in homogenous materials for lead, hexavalent chromium, mercury, PBB, PBDE, DBP, BBP, DEHP, DIBP, and 0.01% for cadmium, or qualify for an exemption to these limits as defined in the Annexes of Directive 2011/65/EU (RoHS2). Finished electrical and electronic equipment products will be CE marked as required by Directive 2011/65/EU. Components may not be CE marked. Additionally, the part numbers that TE has identified as EU ELV compliant have a maximum concentration of 0.1% by weight in homogenous materials for lead, hexavalent chromium, and mercury, and 0.01% for cadmium, or qualify for an exemption to these limits as defined in the Annexes of Directive 2000/53/EC (ELV). Regarding the REACH Regulations, TE's information on SVHC in articles for this part number is still based on the European Chemical Agency (ECHA) 'Guidance on requirements for substances in articles' (Version: 2, April 2011), applying the 0.1% weight on weight concentration threshold at the finished product level. TE is aware of the European Court of Justice ruling of September 10th, 2015 also known as O5A (Once An Article Always An Article) stating that, in case of 'complex object', the threshold for a SVHC must be applied to both the product as a whole and simultaneously to each of the articles forming part of its composition. TE has evaluated this ruling based on the new ECHA "Guidance on requirements for substances in articles" (June 2017, version 4.0) and will be updating its statements accordingly.

### Compatible Parts



TE Model / Part # 650075-000  
D-436-37

## Customers Also Bought



TE Model / Part #765999-000  
55A4122-16-9/96-9CS2275



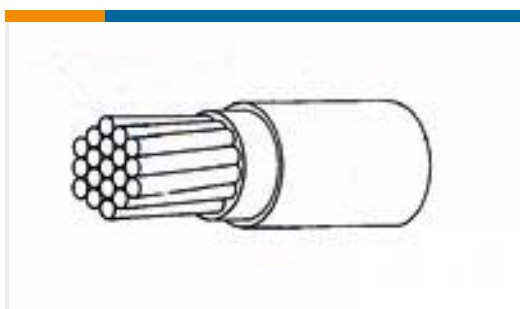
TE Model / Part #YDTS20F15-05SEV001  
D38999: Square Flange, 15-05 insert



TE Model / Part #YDTS20F25-19PB0000  
D38999: Square Flange, 25-19 insert



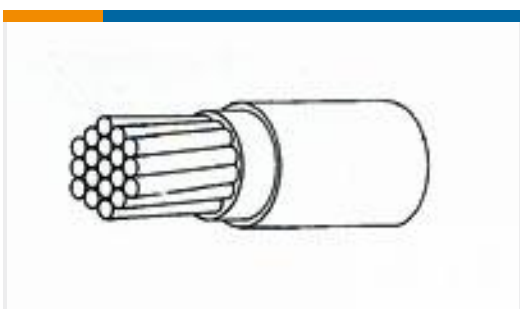
TE Model / Part #YDTS20F25-24PA0000  
D38999: Square Flange, 25-24 insert



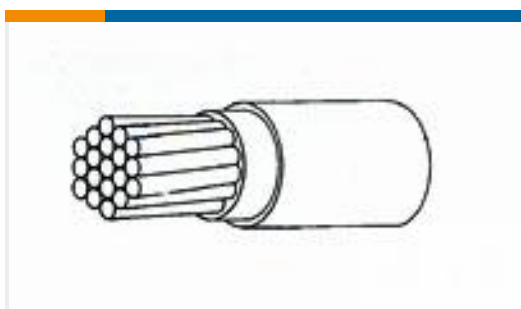
TE Model / Part #174375-000  
22759/43-12-2



TE Model / Part #592586-2  
TERM JCT,SINGLE SPLICE,SZ 20



TE Model / Part #018787-000  
22759/34-16-4



TE Model / Part #593613-000  
22759/34-18-4



TE Model / Part #YD369-P33-AS0-113L  
369 3 WAY PLUG,NO CONTACTS,  
OUTGASSED SKT



TE Model / Part #YD369-P33-NS0-113L  
369 3 WAY PLUG,NO CONTACTS,  
OUTGASSED SKT

## Documents

### Product Drawings

[22759/34-18-5](#)

English

### Datasheets & Catalog Pages

[1654025\\_Sec9\\_SPEC55](#)

English

### Raychem Wire and Cable Quick Reference Guide

English



---

**Product Specifications**

**Product Specification**

English