

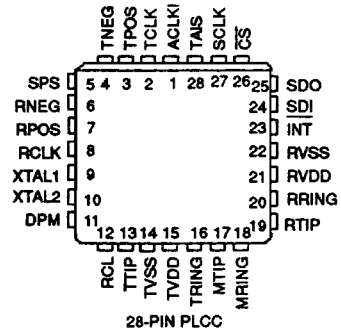
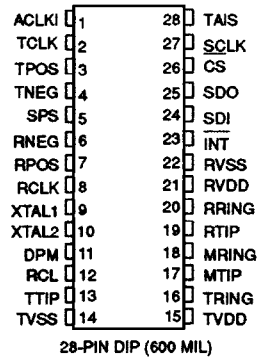
DALLAS SEMICONDUCTOR

DS2145/DS2146 T1/CEPT Medium Haul PCM Line Interface

FEATURES

- T1 (1.544 Mbps) and CEPT (2.048 Mbps) PCM line interface transceiver
- Pin compatible with the CS61574(A)/75/35(A) and LXT300/304A/305(A)
- Receiver sensitivity of -18 dB will recover data off of lines up to 3300 feet (1 km) in length
- Onboard 128 bit jitter attenuator which can be disabled
- DS2145 contains a receive side jitter attenuator
DS2146 contains a transmit side jitter attenuator
- Compatible with Dallas Semiconductor's complete line of framers including the DS2180A, DS2181A, and DS2141
- Available in 28 pin DIP and PLCC
- Single +5V supply

PIN ASSIGNMENT



DESCRIPTION

The DS2145 and DS2146 are monolithic CMOS T1 (1.544 Mbps) and CEPT (2.048 Mbps) line interface transceivers. They couple directly to the T1 or CEPT lines via a transformer and will recover both clock and data from lines as long as 3300 feet (1 km). These devices contain a digital clock recovery system which is very tolerant to incoming jitter and its on-board 128 bit jitter attenuator allows it to smooth wide excursions that can appear in T1 and CEPT data streams. The DS2145

and DS2146 contain a receive only monitor mode in which the transmitter can be disabled to lower the power consumption and the receive side reconstruction filter can also be disabled and replaced with straight resistive gains of 12 dB, 18 dB, or 24 dB. These devices meet or exceed the applicable sections of AT&T TR62411 (Dec. 90), ANSI T1.403-1989, and the CCITT Blue book Recommendations G.703, G.823, and G.735.