

LA7811 — Monolithic Linear IC Color TV Synchronization, Deflection Circuit

The LA7811 is an IC containing not only the main functions required for synchronization, deflection of color television sets but also the generator of vertical blanking pulses (open collector output) and burst gate pulses (not sand castle type) and further the AFC time constant selector for VTR. With the horizontal jitter at the time of weak electric field strength minimized and the picture distortion due to brightness variation minimized, this IC for synchronization, deflection functions is aimed at realization of multifunction and high quality picture reproduction.

Functions

- Synchronizing separation
- Horizontal AFC
- Burst gate pulse
- Noise (weak electric field strength)
- AFC time constant selection
- Vertical oscillation
- Horizontal oscillation
- Vertical blanking pulse (open collector output)
- Synchronization, asynchronization detection
- Vertical drive
- X-ray protection

Features

- Minimized horizontal jitter at the time of weak electric field strength.
- Minimized picture distortion due to brightness variation at the time of strong electric field strength.
- Horizontal, vertical oscillation, being small in warm-up drift, is stable against ambient temperature and supply voltage variations.
- Minimized variations in horizontal oscillation frequency.
- DC bias at the vertical output stage is sampling-controlled within retrace time, thereby enabling improved linearity and interlacing.
- Vertical blanking pulse width can be set independently with external constants.
- Multifunctional and compact (DIP-22)

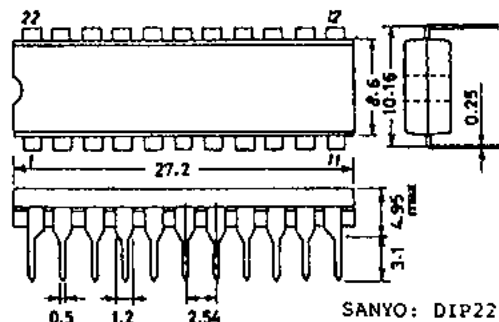
Maximum Ratings at Ta = 25°C

			unit
Maximum Supply Voltage	VCC14	14	V
Maximum Supply Current	ICC4	16	mA
Allowable Power Dissipation	Pd max	720	mW
Operating Temperature	Topp	-20 to +85	°C
Storage Temperature	Tstg	-55 to +125	°C

Operating Conditions at Ta = 25°C

			unit
Recommended Supply Voltage	VCC14	12	V
Recommended Supply Current	ICC1	13	mA
Operating Voltage Range	VCC14 op	12 ± 10%	V

Case Outline 3010A-D22IC (unit: mm)



The application circuit diagrams and circuit constants herein are included as an example and provide no guarantee for designing equipment to be mass-produced. The information herein is believed to be accurate and reliable. However, no responsibility is assumed by SANYO for its use, nor for any infringements of patents or other rights of third parties which may result from its use.

Specifications and information herein are subject to change without notice.

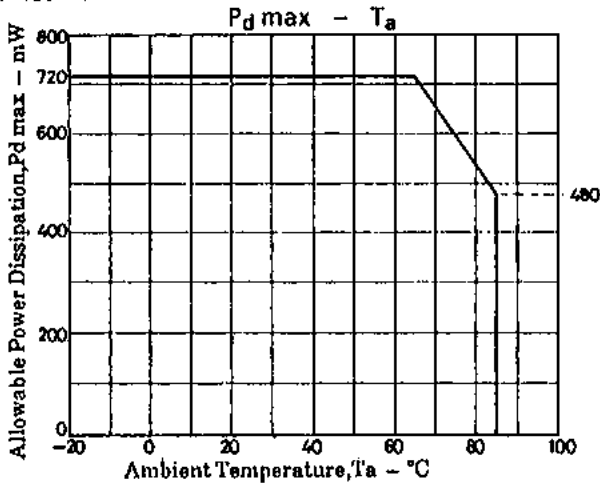
SANYO Electric Co., Ltd. Semiconductor Company

TOKYO OFFICE Tokyo Bldg., 1-10, 1 Chome, Ueno, Taito-ku, TOKYO, 110-8534 JAPAN

N168TA.TS No.2915-1/7

LA7811

Operating Characteristics at $T_a = 25^\circ\text{C}$, $V_{CC14} = 12\text{V}$, $I_{CC4} = 13\text{mA}$				min	typ	max	unit
I_{CC14} Current Dissipation	I_{CC14}		15	20	27		mA
V_{CC4} Supply Voltage	V_{CC4}		11.8	12.6	13.2		V
I_{CC4} Current Dissipation	I_{CC4}	$V_{CC4} = 11\text{V}$			10.5		mA
Sync Separation Input DC Level	V_{18}	Resistor $R_{18} = 15\text{k}\Omega$	9.0	9.3	9.6		V
Sync Signal Peak Value	V_{15}		10	10.8			V
Burst Gate Pulse Peak Value	V_{BGP}		10	10.8			V
Burst Gate Pulse Leading Edge Delay Time	T_{BR}			0.25	0.5		μsec
Burst Gate Pulse Trailing Edge Delay Time	T_{BF}		3.2	3.5	3.8		μsec
Vertical Blanking Pulse Saturation Voltage	V_{BLS}	Load current $I_{22} = 1\text{mA}$			1.5		V
Vertical Blanking Threshold Level	V_{VBS}		5.0	5.35	5.7		V
Midpoint Control Threshold Level	V_{CES}		3.8	4.1	4.4		V
Vertical Driver Amplification Factor	G_{VD}		4.0	6.0	7.0		times
Vertical Free-running Frequency	f_{VOSC}	f_{VOSC} center $\approx 55\text{Hz}$	50		60		Hz
Vertical Oscillation	f_{VP}	Vertical sync signal $f = 60\text{Hz}$	11	12	13		Hz
Supply Voltage Dependence of Vertical Oscillation Frequency	f_{VD}	55Hz at $V_{CC14} = 12\text{V}$, $V_{CC14} = 12 \pm 1\text{V}$	-0.5		0.5		Hz
Vertical Oscillation Start Voltage	V_{VOSC}				4		V
Temperature Characteristic of Vertical Oscillation Frequency	f_{VT}	$T_a = -10$ to $+60^\circ\text{C}$	-0.028		+0.028		$\text{Hz}/^\circ\text{C}$
Horizontal Free-running Frequency	f_{HOSC}	f_{HOSC} center $\approx 15.734\text{kHz}$	14.984		16.484		kHz
Supply Voltage Dependence of Horizontal Oscillation Frequency	f_{HD}	V_{CC4} to $V_{CC4} \times 0.9$	-50		50		Hz
Horizontal Oscillation Start Voltage	V_{HOSC}				4		V
Temperature Characteristic of Horizontal Oscillation Frequency	f_{HT}	$T_a = -10$ to $+60^\circ\text{C}$	-3.4		+3.4		$\text{Hz}/^\circ\text{C}$
Horizontal Oscillation Frequency Warm-up Drift	f_{HWD}	5sec to 30min after switch ON	-70		70		Hz
Horizontal Output Pulse Width	P_{WH}	$f_{HOSC} = 15.734\text{kHz}$	21.5	24.5	26.5		μs
Horizontal Output Drive Current	I_{OH}		4.6	6.0	7.2		mA
Horizontal AFC Control Output Current I	$I_{AFC I}$		± 380	± 560	± 780		μA
Horizontal AFC Control Output Current II	$I_{AFC II}$		± 1.4	± 2.4	± 3.4		mA
Horizontal AFC Limiter Voltage (Upper)	V_{AFCLH}	$I_3 = 1\text{mA}$	7.9		8.6		V
Horizontal AFC Limiter Voltage (Lower)	V_{AFCLL}	$I_3 = 1\text{mA}$	4.6		5.3		V
Hold-down Operating Voltage	V_{HDOP}		0.6		0.9		V
Hold-down Nonreset Voltage	V_{HDUR}		7				V
Synchronization-Asynchronization Detection Output Current	I_{sas}		0.8	1.1	1.6		mA
Synchronization-Asynchronization Detection Threshold Level	V_{sas}		4	4.4	4.8		V
Weak Field Detection Output Voltage	V_{WF}	$f = 1\text{MHz}$, 150mV	0.5	0.85	1.4		V
Horizontal AFC Time Constant Select Current I	$I_{SE I}$	$V_{21} = 1\text{V}$, $V_{22} = 1\text{V}$	0.1				mA
Horizontal AFC Time Constant Select Current II	$I_{SE II}$	$V_{22} = 1\text{V}$	0.3				mA



Functions and Features

The LA7811 is made more complete in functions and improved in characteristics with new functions provided in addition to the basic functions (sync separator, vertical oscillator, horizontal oscillator, AFC, X-ray protector) required for a synchronization and deflection IC. The new functions are described below. We have the LA7800 that is similar to the LA7811 but contains only the basic functions.

1. Functions to reduce horizontal jitter when in weak electric fields; functions to reduce image distortions when in strong electric fields

When white noise in video signal increases, horizontal jitter is generated. To reduce horizontal jitter, it is not enough to further integrate effects of the AFC filter. Image distortions, caused by brightness variation when in a strong electric field, will be amplified. Accordingly the AFC time constant has been selected as a trade-off between horizontal jitter and image distortions.

White noise detected in video signals by a noise detection circuit and the AFC time constant are controlled by a voltage proportional to the noise. This permits operations with optimum AFC time constants in both weak and strong electric fields.

The LA7811 also has a horizontal synchronization/asynchronization detection circuit. It reduces asynchronized integrating effects of AFC. This provides faster responses for synchronous pull-in. This synchronization/asynchronization detection circuit output can also be utilized as a muting control signal.

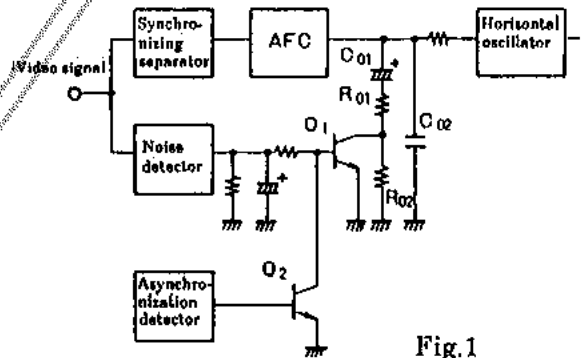


Fig.1

1-1 Noise Detection Circuit

The purpose of the noise detection circuit is to detect noises existing in the synchronizing signal sector of video signals, generate a DC voltage proportional in magnitude to them, control with the voltage an AFC time constant selector, and reduce horizontal jitter when in weak electric fields.

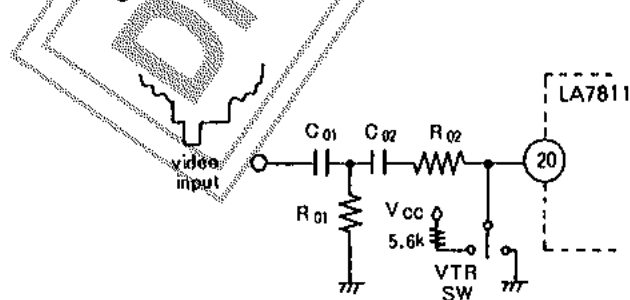


Fig.2

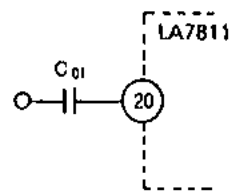


Fig.3

Continued on next page.

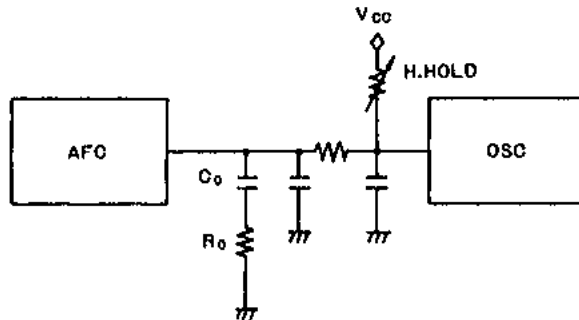


Fig.5 Fundamental Circuit

In transition from asynchronized mode to synchronized mode, the larger the resistance R_0 in Fig.5 and additionally the larger the AFC output current, the faster pull-in speeds will be. For this reason, TR3 is turned on to increase the resistance value that corresponds to resistor R_0 , when LA7811 is in asynchronized mode. At the same time, the AFC current is made to be 4.3 times the normal value. Resistor R_1 prevents over-shifting of the horizontal oscillation frequency by pulse noises in asynchronized mode in weak electric fields. Fig.6 shows a table summarizing this operation.

	Electric Field	AFC Control Current	TR1	TR2	TR3	I_R
Synchronized mode	Strong	100%	OFF	OFF	OFF	$R_{02} + R_{01}$
	Weak	100%	OFF	ON	OFF	Saturation resistance of $R_{02} + TR2$
Asynchronized mode	Every field	430%	ON	OFF	ON	$R_{02} + \frac{1}{\frac{1}{R_{01}} + \frac{1}{R_1}}$

Fig.6

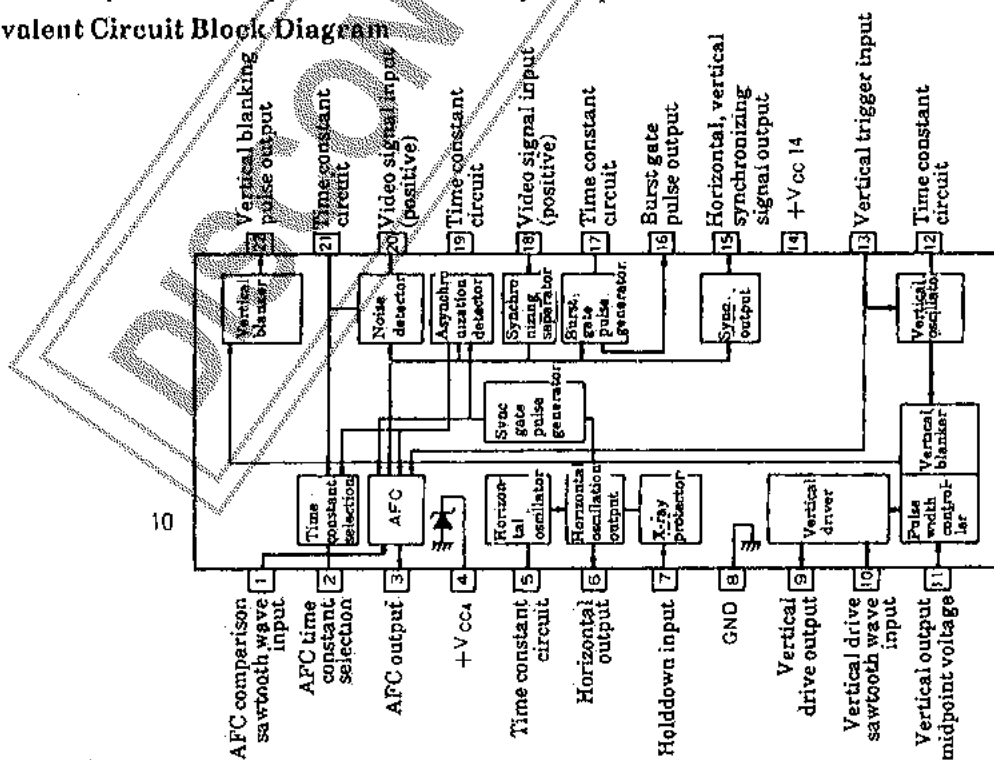
2. Vertical Oscillation

Any capacitors ranging from $0.1\mu F$ film to $1\mu F$ tantalum electrolytic capacitors can be used for the oscillating capacitor connected to pin 12.

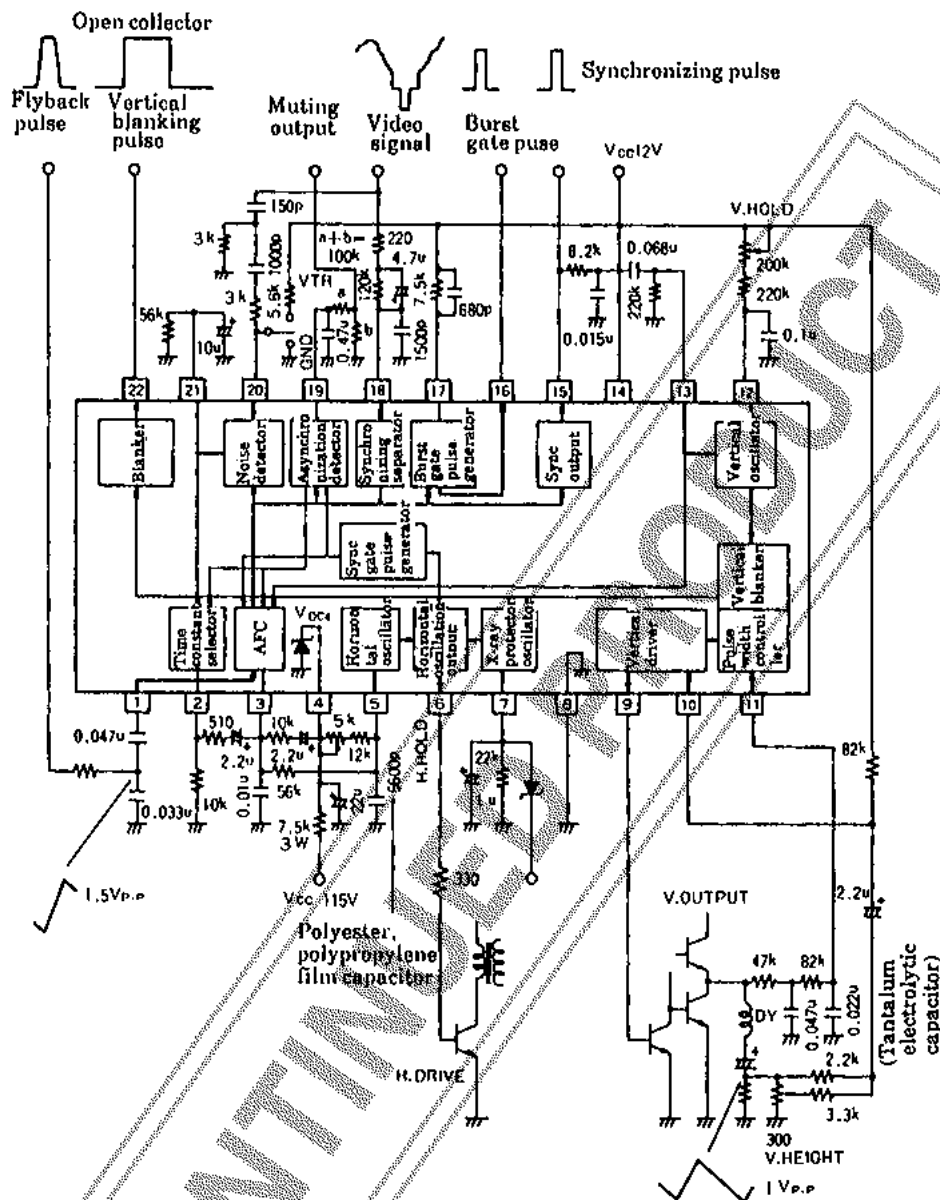
3. Vertical Driver

Capacitors, which can be used for the sawtooth wave generating capacitors connected to pin 10, range from $0.33\mu F$ film to $2.2\mu F$ tantalum electrolytic capacitors.

Equivalent Circuit Block Diagram

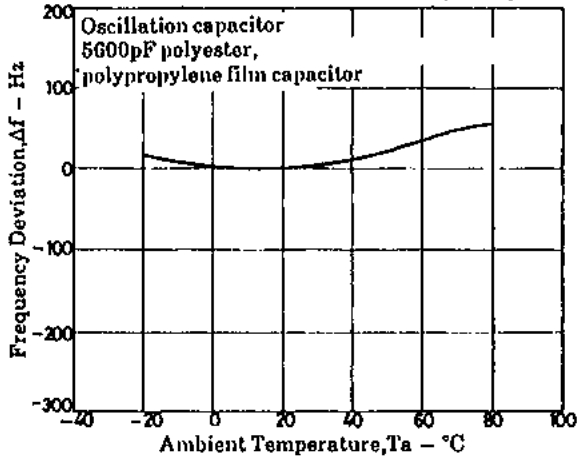


Sample Application Circuit

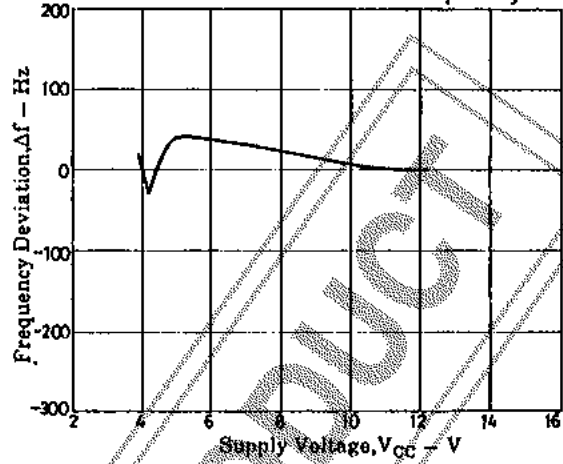


- Note) 1. The vertical output circuit is shown by the basic circuit.
 2. The peripheral parts at pin 11 should be changed in accordance with the Ver. Out circuit conditions.
 3. The limiting resistor ($220\Omega \cdot 1Vp-p$) at pin 18 should be changed in proportion to the magnitude of the input video signal.
 4. In the time constant circuit ($120k\Omega, 4.7\mu F$) at pin 18, the time constant should be changed by changing the resistance value in accordance with the DC level of the input video signal and then by changing the capacitance value.
 5. Burst gate pulse width can be changed by changing the value of $680pF$ at pin 17
 6. If the value of $150pF$ at pin 20 is decreased, the AFC time constant is changed-over at a point of weaker electric field strength.

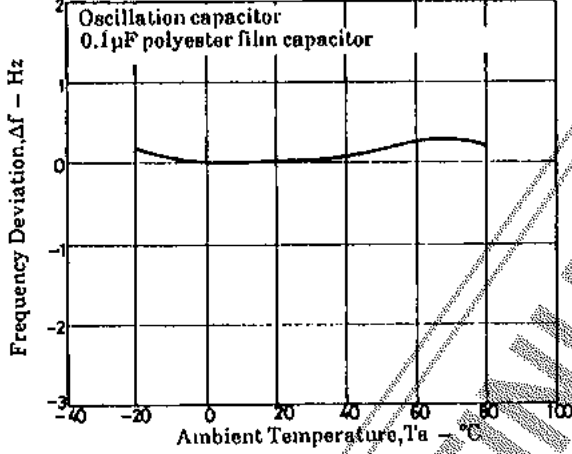
Temperature Characteristic of Horizontal Oscillation Frequency



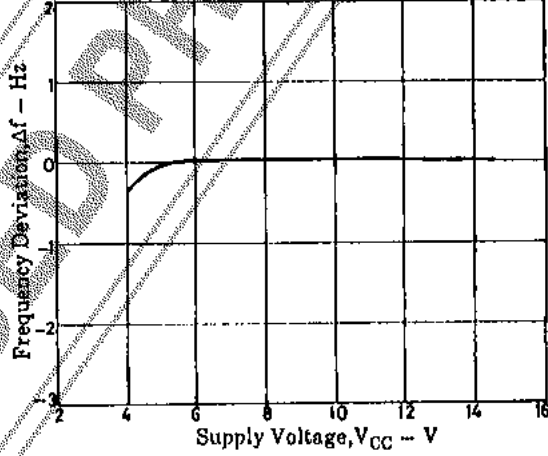
Supply Voltage Characteristic of Horizontal Oscillation Frequency



Temperature Characteristic of Vertical Oscillation Frequency



Supply Voltage Characteristic of Vertical Oscillation Frequency



DISCONTINUED PRODUCT