

Document No.	853-0650
ECN No.	99799
Date of Issue	June 14, 1990
Status	Product Status
ECL Products	

# 10115

## Line Receiver

Quad Differential Line Receiver

### FEATURES

- Typical propagation delay: 2.0ns
- Typical supply current ( $-I_{EE}$ ): 18mA

### DESCRIPTION

The 10115 is a Quad Differential Line Receiver intended for use in sensing signals over long lines. The base Reference Bias Voltage ( $V_{BB}$ ) makes the device useful in other applications where a stable reference voltage is necessary.

One input from any unused amplifier in a package must be tied to  $V_{BB}$ .

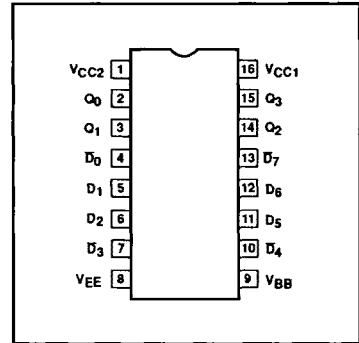
### ORDERING INFORMATION

DESCRIPTION	ORDER CODE
16-Pin Plastic DIP	10115N
16-Pin Ceramic DIP	10115F

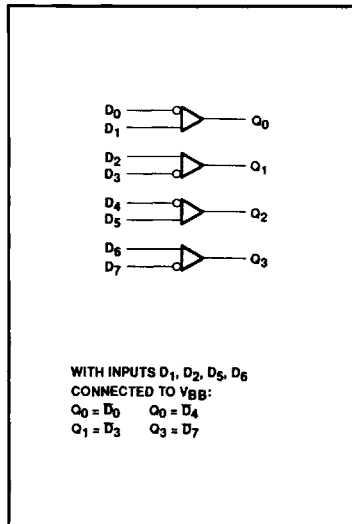
### PIN DESCRIPTION

PINS	DESCRIPTION
$D_1, D_2, D_5, D_6;$ $D_0, D_3, D_4, D_7$	Data Inputs
$V_{BB}$	Reference Bias Voltage Output
$Q_0 - Q_3$	Data Outputs

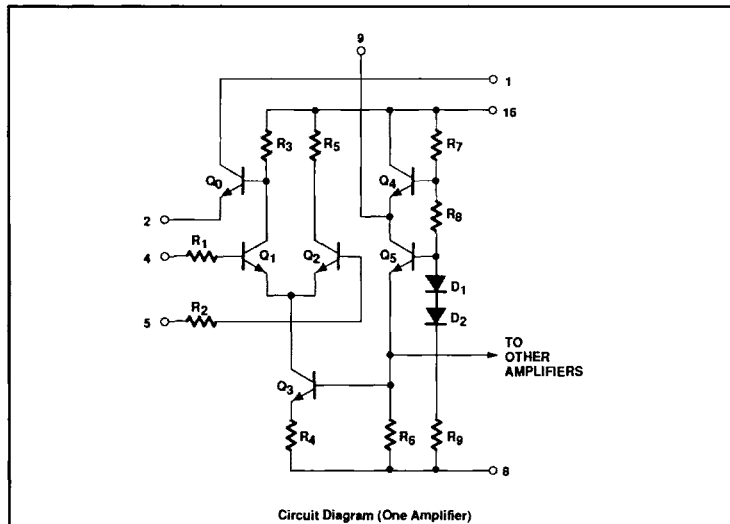
### PIN CONFIGURATION



### LOGIC DIAGRAM



### SIMPLIFIED SCHEMATIC



## Line Receiver

10115

## ABSOLUTE MAXIMUM RATINGS

SYMBOL	PARAMETER	LIMITS	UNIT	
$V_{EE}$	Supply voltage	-8.0	V	
$V_{IN}$	Input voltage ( $V_{IN}$ should never be more negative than $V_{EE}$ )	0 to $V_{EE}$	V	
$I_O$	Output source current (continuous)	-50	mA	
$T_S$	Storage temperature range	-55 to +150	°C	
$T_J$	Maximum junction temperature	Ceramic Package	+165	°C
		Plastic Package	+150	°C

## NOTE:

Operation beyond the limits set forth in this table may impair the useful life of the device. Unless otherwise noted, these limits are specified over the operating ambient temperature range.

## DC OPERATING CONDITIONS

SYMBOL	PARAMETER	TEST CONDITIONS	LIMITS			UNIT
			MIN.	NOM.	MAX.	
$V_{CC1}, V_{CC2}$	Circuit ground		0	0	0	V
$V_{EE}$	Supply voltage (negative)			-5.2		V
$V_{IH}$	High level input voltage	$T_A = -30^\circ\text{C}$			-890	mV
		$T_A = +25^\circ\text{C}$			-810	mV
		$T_A = +85^\circ\text{C}$			-700	mV
$V_{IHT}$	High level input threshold voltage	$T_A = -30^\circ\text{C}$	-1205			mV
		$T_A = +25^\circ\text{C}$	-1105			mV
		$T_A = +85^\circ\text{C}$	-1035			mV
$V_{ILT}$	Low level input threshold voltage	$T_A = -30^\circ\text{C}$			-1500	mV
		$T_A = +25^\circ\text{C}$			-1475	mV
		$T_A = +85^\circ\text{C}$			-1440	mV
$V_{IL}$	Low level input voltage	$T_A = -30^\circ\text{C}$	-1890			mV
		$T_A = +25^\circ\text{C}$	-1850			mV
		$T_A = +85^\circ\text{C}$	-1825			mV
$T_A$	Operating ambient temperature range		-30	+25	+85	°C

## NOTE:

When operating at other than the specified  $V_{EE}$  voltage (-5.2V), the DC and AC Electrical Characteristics will vary slightly from specified values.

# Line Receiver

10115

**DC ELECTRICAL CHARACTERISTICS**  $V_{CC1} = V_{CC2} = \text{ground}$ ,  $V_{EE} = -5.2V \pm 0.010V$ ,  $T_A = -30^\circ\text{C}$  to  $+85^\circ\text{C}$  output loading  $50\Omega$  to  $-2.0V \pm 0.010V$  unless otherwise specified<sup>1,3</sup>

SYMBOL	PARAMETER	TEST CONDITIONS <sup>2</sup>		LIMITS			UNIT
				MIN.	TYP.	MAX.	
V <sub>OH</sub>	High level output voltage	T <sub>A</sub> = -30°C	Apply V <sub>ILMIN</sub> to each inverting input, one at a time, w/ V <sub>IHMAX</sub> applied to all other inverting inputs and V <sub>BB</sub> applied to all non-inverting inputs. Apply V <sub>IHMAX</sub> to each non-inverting input, one at a time, with V <sub>ILMIN</sub> applied to all other non-inverting inputs and w/ V <sub>BB</sub> applied to all other inverting inputs. <sup>4</sup>	-1060		-890	mV
		T <sub>A</sub> = +25°C		-960		-810	mV
		T <sub>A</sub> = +85°C		-890		-700	mV
V <sub>OHT</sub>	High level output threshold voltage	T <sub>A</sub> = -30°C	Apply V <sub>ILT</sub> to each inverting input, one at a time, w/ V <sub>ILMIN</sub> applied to all other inverting input and V <sub>BB</sub> applied to all non-inverting inputs. Apply V <sub>IHT</sub> to each non-inverting input, one at a time, with V <sub>ILMIN</sub> applied to all other non-inverting inputs and w/ V <sub>BB</sub> applied to all inverting inputs. <sup>4</sup>	-1080			mV
		T <sub>A</sub> = +25°C		-980			mV
		T <sub>A</sub> = +85°C		-910			mV
V <sub>OLT</sub>	Low level output threshold voltage	T <sub>A</sub> = -30°C	Apply V <sub>IHT</sub> to each inverting input, one at a time, w/ V <sub>ILMIN</sub> applied to all other inverting inputs and V <sub>BB</sub> applied to all non-inverting inputs. Apply V <sub>ILT</sub> to each non-inverting input, one at a time, with V <sub>ILMIN</sub> applied to all other non-inverting inputs and V <sub>BB</sub> applied to all inverting inputs. <sup>4</sup>			-1655	mV
		T <sub>A</sub> = +25°C				-1630	mV
		T <sub>A</sub> = +85°C				-1595	mV
V <sub>OL</sub>	Low level output voltage	T <sub>A</sub> = -30°C	Apply V <sub>IHMAX</sub> to each inverting input, one at a time, w/ V <sub>ILMIN</sub> applied to all other inverting inputs and V <sub>BB</sub> applied to all non-inverting inputs. Apply V <sub>ILMIN</sub> to each non-inverting input, one at a time, w/ V <sub>IHMAX</sub> applied to all other non-inverting inputs and V <sub>BB</sub> applied to all inverting inputs. <sup>4</sup>	-1890		-1675	mV
		T <sub>A</sub> = +25°C		-1850		-1650	mV
		T <sub>A</sub> = +85°C		-1825		-1615	mV
I <sub>IH</sub>	High level input current	T <sub>A</sub> = -30°C	Apply V <sub>IHMAX</sub> to each inverting input under test, one at a time, w/ V <sub>ILMIN</sub> applied to all other inverting inputs and V <sub>BB</sub> applied to all non-inverting inputs. <sup>4</sup>			150	μA
		T <sub>A</sub> = +25°C				95	μA
		T <sub>A</sub> = +85°C				95	μA
-I <sub>EE</sub>	V <sub>EE</sub> supply current	T <sub>A</sub> = -30°C	Apply V <sub>ILMIN</sub> to all inverting inputs. Apply V <sub>BB</sub> to all non-inverting inputs.			29	mA
		T <sub>A</sub> = +25°C			18	26	mA
		T <sub>A</sub> = +85°C				29	mA
$\frac{\Delta V_{OH}}{\Delta V_{EE}}$	High level output voltage compensation	T <sub>A</sub> = +25°C			0.016		V/V
$\frac{\Delta V_{OL}}{\Delta V_{EE}}$	Low level output voltage compensation				0.250		V/V
$\frac{\Delta V_{BB}}{\Delta V_{EE}}$	Reference bias voltage compensation				0.148		V/V
V <sub>BB</sub>	Reference voltage	T <sub>A</sub> = -30°C	All inverting or all non-inverting input pins are tied to the V <sub>BB</sub> pin during measurement.	-1420		-1280	mV
		T <sub>A</sub> = +25°C		-1350	-1290	-1230	mV
		T <sub>A</sub> = +85°C		-1295		-1150	mV
-I <sub>CB0</sub>	Input leakage current	T <sub>A</sub> = -30°C	Apply V <sub>EE</sub> to each inverting input under test, one at a time, w/ V <sub>ILMIN</sub> applied to all other inverting inputs and V <sub>BB</sub> applied to all non-inverting inputs. <sup>4</sup>			1.5	μA
		T <sub>A</sub> = +25°C				1.0	μA
		T <sub>A</sub> = +85°C				1.0	μA

**NOTES:**

- The specified limits represent the worst case values for the parameter. Since these worst case values normally occur at the supply voltage and temperature extremes, additional noise immunity can be achieved by decreasing the allowable operating condition ranges.
- Conditions for testing shown in the tables are not necessarily worst case. For worst case testing guidelines, refer to DC Testing, Chapter 1, Section 3.
- The specified limits shown in the DC Electrical Characteristics table can be met only after thermal equilibrium has been established. Thermal equilibrium is established by applying power for at least 2 minutes, while maintaining transverse airflow of 2.5 meters/sec (500 linear feet/min) over the device, mounted either in a test socket or on a printed circuit board. Test voltage values are given in the DC Operating Conditions table.
- Refer to DC Test Circuit.

# Line Receiver

10115

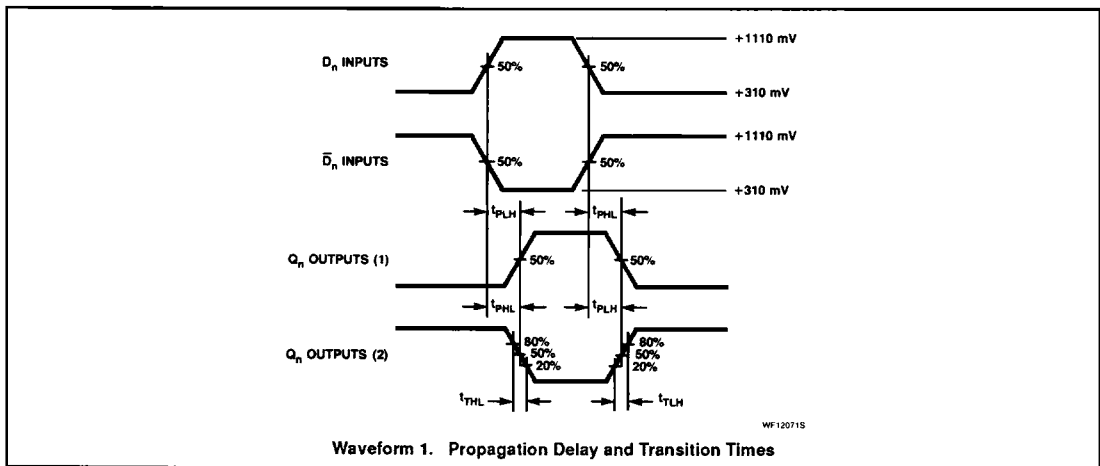
## AC ELECTRICAL CHARACTERISTICS $V_{CC1} = V_{CC2} = \text{ground}, V_{EE} = -5.2V \pm 0.010V$

SYMBOL	PARAMETER	TEST CONDITIONS	LIMITS						UNIT	
			$T_A = -30^\circ\text{C}$		$T_A = +25^\circ\text{C}$			$T_A = +85^\circ\text{C}$		
			MIN.	MAX.	MIN.	TYP.	MAX.	MIN.		MAX.
$t_{PLH}$ $t_{PHL}$	Propagation delay $D_n, \bar{D}_n$ to $Q_n$	Waveform 1	1.00	3.10	1.00	2.00	2.90	1.00	3.30	ns
$t_{TLH}$ $t_{THL}$	Transition time 20% to 80%, 80% to 20%	Waveform 1	1.10	3.60	1.10	2.00	3.30	1.10	3.70	ns

**NOTE:**

For AC test setup information, see AC Testing, Chapter 2, Section 3.

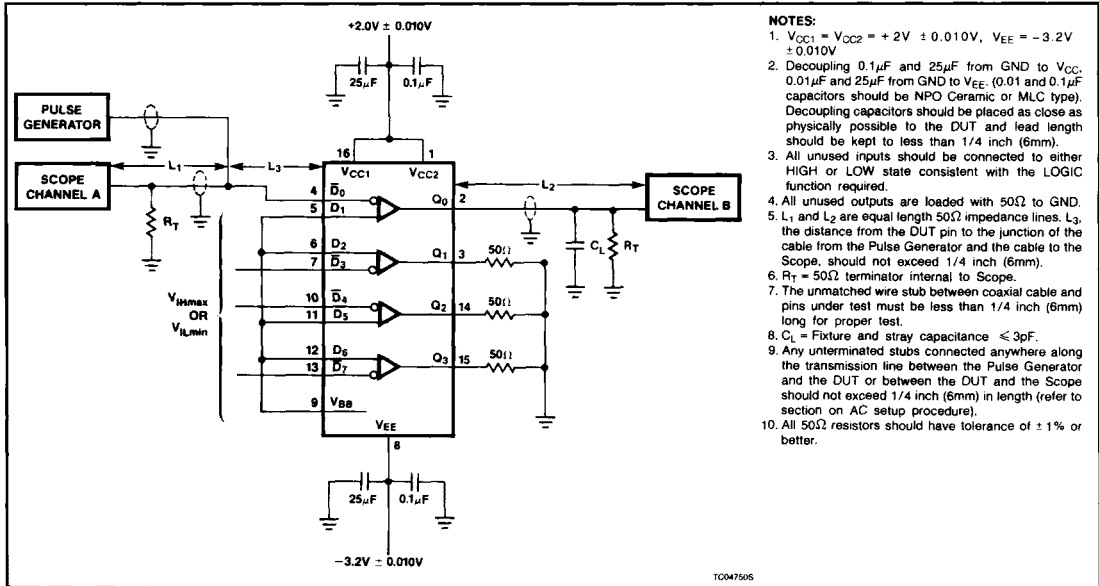
### AC WAVEFORMS



# Line Receiver

10115

## AC TEST CIRCUIT



## DC TEST CIRCUIT

