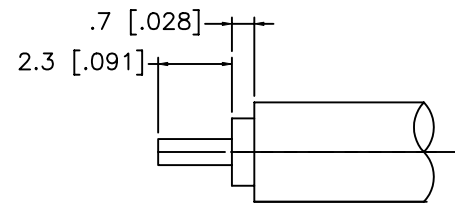
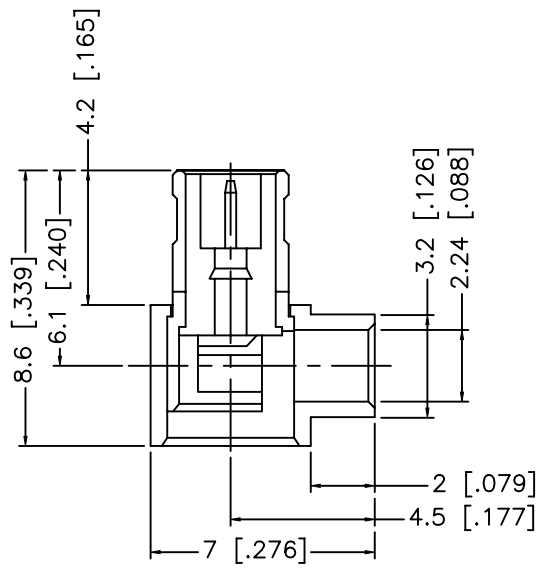
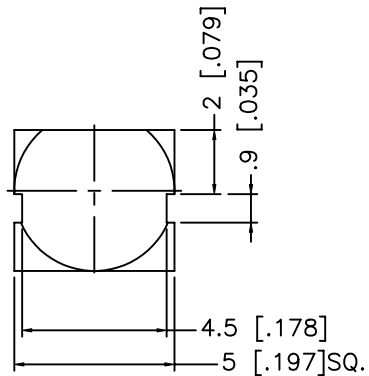
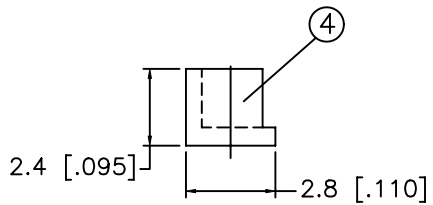



| | | |
|------|----------|-----------------|
| REV. | DATE | DESCRIPTION |
| NC | 12/17/98 | INITIAL RELEASE |



RECOMMENDED
CABLE STRIPPING DIM'S



| DESCRIPTION | MATERIAL | FINISH | UNLESS OTHERWISE SPECIFIED DIMENSIONS ARE IN MILLIMETERS | APPROVALS | DATE |  | | | | |
|---------------|-------------|---------|--|-----------|---------|---|-------|---|------------|----------|
| 1 BODY | BER. COPPER | NICKEL | DIMENSIONS IN [] ARE IN INCHES FOR CUSTOMER REFERENCE ONLY UNLESS OTHERWISE SPECIFIED TOLERANCES FOR MILLIMETERS ARE: 0.5-6 = ± 0.2 6-30 = ± 0.4 30-120 = ± 0.6 120-315 = ± 1 315-1000 = ± 1.6 1000-2000 = ± 2.4 | DRAWN | G.R.S. | | | | | 12/17/98 |
| 2 INSULATOR | TEFLON | NATURAL | | 4 | CHECKED | | | MCX R/A CRIMP PLUG (FOR .085", .086" SEMI RIGID CABLE) | | |
| 3 CONTACT PIN | BRASS | NICKEL | | ISSUED | | | SIZE | FSCM NO. | DWG. NO. | REV. |
| 4 INSULATOR | DELTRIN | NATURAL | | | | | A | 99001 | 252108.DWG | NC |
| 5 | | | | | | | SCALE | PART NO. | SHEET | |
| 6 | | | | | | | NA | 252108 | 1 OF 1 | |
| 7 | | | | | | | | | | |
| 8 | | | DO NOT SCALE DRAWING | | | | | | | |