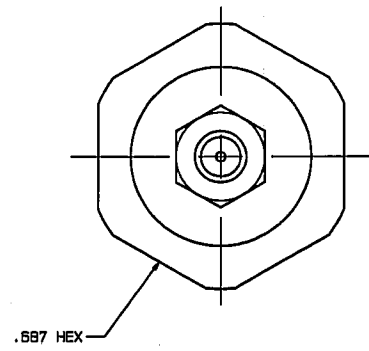
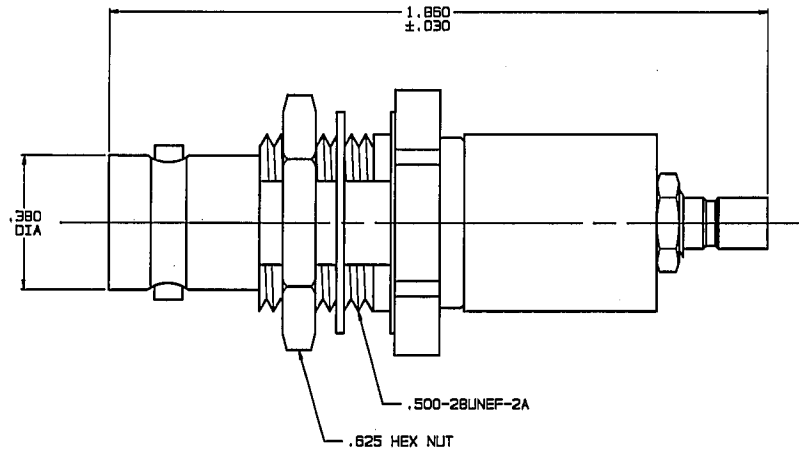


RED INDICATES ORIGINAL

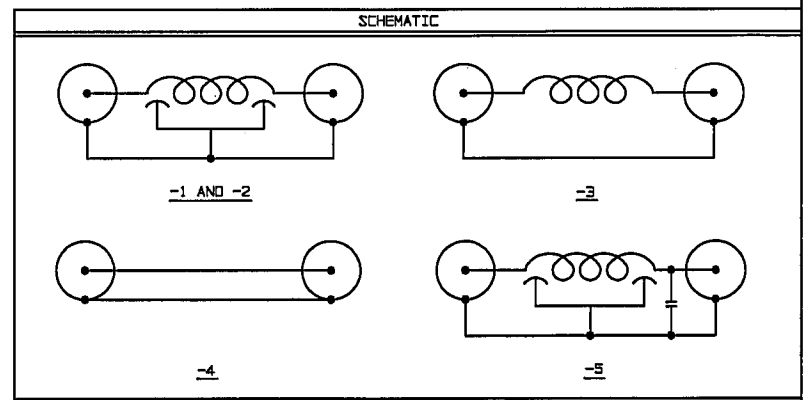
DASH NO	DESCRIPTION
-1	PI FILTER-100PF
-2	PI FILTER-1000PF
-3	FERRITE BEAD
-4	_____
-5	PI FILTER-1000PF // .1 μ F

DATE: _____
 SIZE: _____
 C

REVISIONS			105-1305	SH 1	
REV	ED	DESCRIPTION	DWN	APPROVED	DATE
F	10624	ADDED -5	DKC	<i>Bm, PR</i>	<i>3/20/94</i>



-1 SHOWN



4. BNC RECEPTACLE TO SMB RECEPTACLE WITH FILTERING
3. EXAMPLE OF COMPLETE PART NO:

105-1305	-2
BASIC NO	DASH NO
2. FINISH: TFS-1A (NICKEL)
1. ALL DIM ARE IN INCHES

QTY	DESCRIPTION	PART NUMBER	ITEM
TOL UNLESS SPECIFIED .001 ± .005 ± .0005 ± ANGLE ±	TROMPETER ELECTRONICS, INC.	BNC/SMB WITH/WITH OUT PI FILTER/FERRITE BEAD	
DWN DKC 3-14-94	MATERIAL	CODE IDENT	DRAWING NO.
CHK <i>Bm</i> 3-30-94		14949	105-1305
ENGR			F
APPR <i>PR</i> 3/30/94	NEXT ASSY	SCALE 4/1	DATE 4-25-90 SHEET 1 OF 3