

Quad Two-Input NOR Gate

Product Specification

Military Logic Products

FUNCTION TABLE

INPUTS		OUTPUT
A	B	Y
L	L	H
L	H	L
H	L	L
H	H	L

H = High voltage level
L = Low voltage level

ORDERING INFORMATION

DESCRIPTION	ORDER CODE
14-Pin Ceramic DIP	54F02/BCA
14-Pin Ceramic Flat Pack	54F02/BDA
20-Pin Ceramic LLCC	54F02/B2A

INPUT AND OUTPUT LOADING AND FAN-OUT TABLE

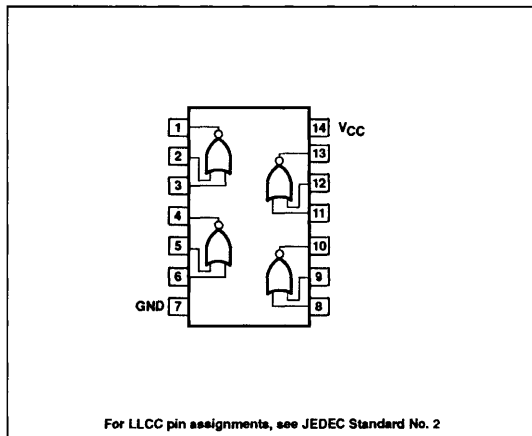
PINS	DESCRIPTION	54F(U.L.) HIGH/LOW	LOAD VALUE HIGH/LOW
A, B	Inputs	1.0/1.0	20 μ A/0.6mA
Y	Output	50/33	1.0mA/20mA

NOTE: One (1.0) FAST Unit Load (U.L.) is defined as: 20 μ A in the High state and 0.6mA in the Low state.

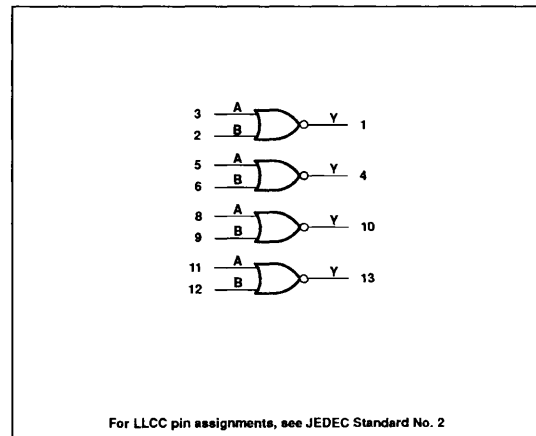
ABSOLUTE MAXIMUM RATINGS (Operation beyond the limits set forth in this table may impair the useful life of the device. Unless otherwise noted these limits are over the operating free-air temperature range.)

SYMBOL	PARAMETER	RATING	UNIT
V _{CC}	Supply voltage range	-0.5 to +7.0	V
V _i	Input voltage range	-0.5 to +7.0	V
I _i	Input current range	-30 to +5	mA
V _O	Voltage applied to output in High output state range	-0.5 to +V _{CC}	V
I _O	Current applied to output in Low output state	40	mA
T _{STG}	Storage temperature range	-65 to +150	°C

PIN CONFIGURATION



LOGIC SYMBOL



Gate

54F02

RECOMMENDED OPERATING CONDITIONS

SYMBOL	PARAMETER	LIMITS			UNIT
		Min	Nom	Max	
V_{CC}	Supply voltage	4.5	5.0	5.5	V
V_{IH}	High-level input voltage	2.0			V
V_{IL}	Low-level input voltage			0.8	V
I_{IK}	Input clamp current			-18	mA
I_{OH}	High-level output current			-1	mA
I_{OL}	Low-level output current			20	mA
T_A	Operating free-air temperature range	-55		+125	°C

DC ELECTRICAL CHARACTERISTICS (Over recommended operating free-air temperature unless otherwise noted.)

SYMBOL	PARAMETER	TEST CONDITIONS ¹	LIMITS			UNIT	
			Min	Typ ²	Max		
V_{OH}	High-level output voltage	$V_{CC} = \text{Min}, V_{IL} = \text{Max}, I_{OH} = \text{Max}, V_{IH} = \text{Min}$	2.5			V	
V_{OL}	Low-level output voltage	$V_{CC} = \text{Min}, V_{IL} = \text{Max}, I_{OL} = \text{Max}, V_{IH} = \text{Min}$		0.35	0.50	V	
V_{IK}	Input clamp voltage	$V_{CC} = \text{Min}, I_I = I_{IK}$		-0.73	-1.2	V	
I_{IH2}	Input current at maximum input voltage	$V_{CC} = \text{Max}, V_I = 7.0V$		5	100	μA	
I_{IH1}	High-level input current	$V_{CC} = \text{Max}, V_I = 2.7V$		1	20	μA	
I_{IL}	Low-level input current	$V_{CC} = \text{Max}, V_I = 0.5V$		-0.4	-0.6	mA	
I_{OS}	Short-circuit output current ³	$V_{CC} = \text{Max}, V_O = 0.0V$	-60	-80	-150	mA	
I_{CC}	Supply current ⁴ (total)	I_{CCH} I_{CCL}	$V_{CC} = \text{Max}$		3.0	5.6	mA
					7.0	13	mA

AC ELECTRICAL CHARACTERISTICS (When measured in accordance with the procedures outlined in Signetics LOGIC App Note 202, "Testing and Specifying FAST Logic.")

SYMBOL	PARAMETER	TEST CONDITIONS	LIMITS				UNIT
			$T_A = +25^\circ\text{C}, V_{CC} = +5.0V$		$T_A = -55^\circ\text{C} \text{ to } +125^\circ\text{C}$		
			Min	Type	Max	Min	
t_{PLH} t_{PHL}	Propagation delay A, B to \bar{Y}	Waveform 1	$C_L = 50\text{pF}$ $R_L = 500\Omega$		$V_{CC} = +5.0V \pm 10\%$ $C_L = 50\text{pF}, R_L = 500\Omega$		ns ns
			2.5 2.0	4.4 3.2	5.5 4.3	2.5 1.5	

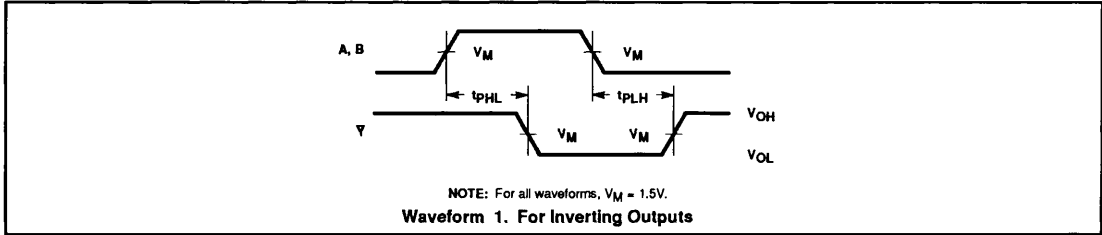
NOTES:

- For conditions shown as Min or Max, use the appropriate value specified under recommended operating conditions for the applicable type and function table for operating mode.
- All typical values are at $V_{CC} = 5V, T_A = 25^\circ\text{C}$.
- Not more than one output should be shorted at a time. For testing I_{OS} , the use of high-speed test apparatus and/or sample-and-hold techniques are preferable in order to minimize internal heating and more accurately reflect operational values. Otherwise, prolonged shorting of a High output may raise the chip temperature well above normal and thereby cause invalid readings in other parameter tests. In any sequence of parameter tests, I_{OS} tests should be performed last.
- I_{CC} is measured with outputs open.

Gate

54F02

AC WAVEFORM



TEST CIRCUIT AND WAVEFORM

