



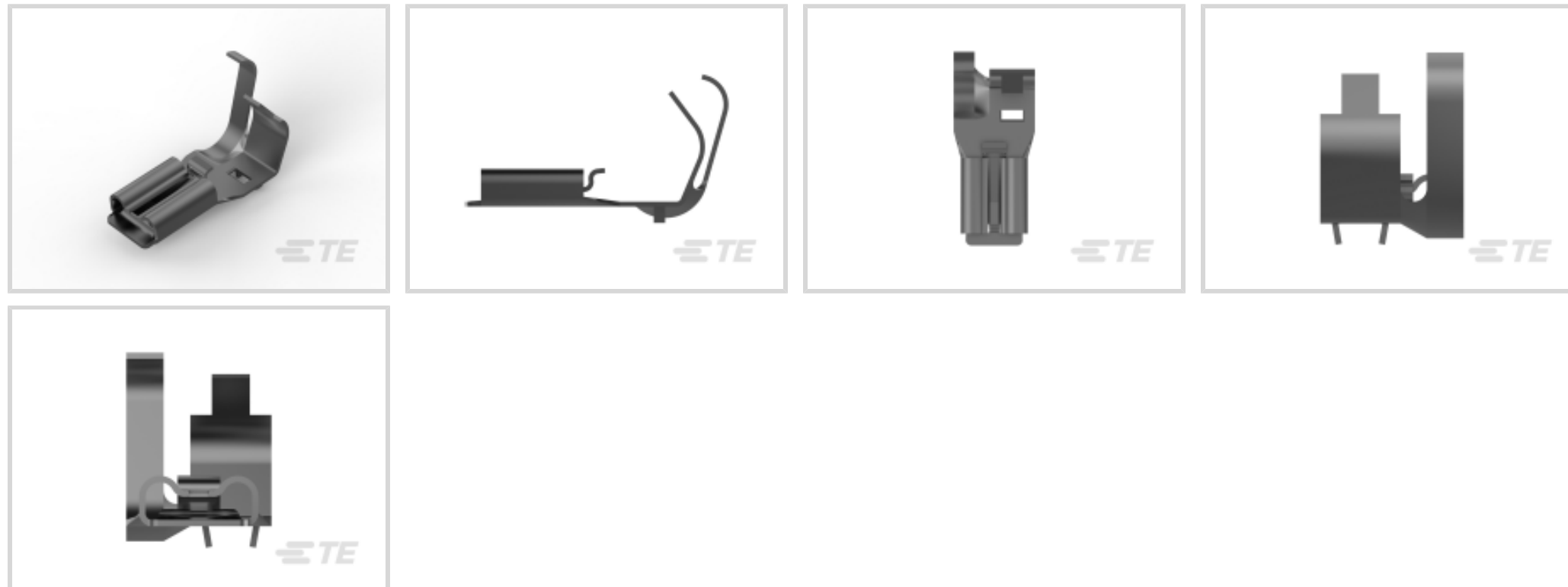
[Positive Lock](#) | [Positive Lock 187](#)

TE Part # 175193-1

TE Internal #: 175193-1

[View on TE.com >](#)

Terminals & Splices > Quick Disconnects



Terminal & Splice Type: **Receptacle**

Wire Size: .32 – 1.31 mm²

Mating Tab Width: 4.75 mm [.187 in]

Mating Tab Thickness: .81 mm [.032 in]

Features

Product Type Features

Wire Stop	No
Wire/Cable Type	Regular Wire
Terminates To	Wire & Cable
Sealable	No
Insulated	No

Configuration Features

Connection Capacity	Single
---------------------	--------

Electrical Characteristics

Voltage (Max)	250 V
---------------	-------

Body Features

Fully Insulated	No
Plating Material	Pre-Tin

Contact Features

Terminal Type	Receptacle
Terminal & Splice Type	Receptacle



Terminal Orientation	Flag
Contact Base Material	Brass
Crimp Type	F-Crimp
Barrel Type	Open

Mechanical Attachment

Wire Insulation Support	With
-------------------------	------

Dimensions

Accepts Wire Insulation Diameter Range	1.5 – 4.32 mm [.059 – .17 in]
Overall Length	15.9 mm [.625 in]
Receptacle Terminal Stock Thickness	.3 mm [.012 in]
Wire Size	.32 – 1.31 mm ²
Mating Tab Width	4.75 mm [.187 in]
Mating Tab Thickness	.81 mm [.032 in]

Usage Conditions

Operating Temperature Range	-40 – 110 °C [-40 – 230 °F]
-----------------------------	-----------------------------

Packaging Features

Packaging Quantity	4000
Packaging Method	Strip/Reel

Product Compliance

[For compliance documentation, visit the product page on TE.com>](#)

EU RoHS Directive 2011/65/EU	Compliant
EU ELV Directive 2000/53/EC	Compliant
China RoHS 2 Directive MIIT Order No 32, 2016	No Restricted Materials Above Threshold
EU REACH Regulation (EC) No. 1907/2006	Current ECHA Candidate List: JAN 2019 (197) Candidate List Declared Against: JAN 2019 (197)
Halogen Content	Low Halogen - Br, Cl, F, I < 900 ppm per homogenous material. Also BFR/CFR/PVC Free
Solder Process Capability	Not reviewed for solder process capability

Product Compliance Disclaimer

This information is provided based on reasonable inquiry of our suppliers and represents our current actual knowledge based on the information they provided. This information is subject to change. The part numbers that TE has identified as EU RoHS compliant have a maximum concentration of 0.1% by weight in homogenous materials for lead, hexavalent chromium, mercury, PBB, PBDE, DBP, BBP, DEHP, DIBP, and 0.01% for cadmium, or qualify for an exemption to these limits as defined in the Annexes of Directive 2011/65/EU (RoHS2). Finished electrical and electronic equipment products will be CE marked as required by Directive 2011/65/EU. Components may not be CE marked. Additionally, the part numbers that TE has identified as EU ELV compliant have a maximum concentration of 0.1% by weight in homogenous materials for lead, hexavalent chromium, and mercury, and 0.01% for cadmium, or qualify for an exemption to these limits as defined in the Annexes of Directive 2000/53/EC (ELV). Regarding the REACH Regulations, TE's information on SVHC in articles for this part number is still based on the European Chemical Agency (ECHA) 'Guidance on requirements for substances in articles' (Version: 2, April 2011), applying the 0.1% weight on weight concentration threshold at the finished product level. TE is aware of the European Court of Justice ruling of September 10th, 2015 also known as O5A (Once An Article Always An Article) stating that, in case of 'complex object', the threshold for a SVHC must be applied to both the product as a whole and simultaneously to each of the articles forming part of its composition. TE has evaluated this ruling based on the new ECHA "Guidance on requirements for substances in articles" (June 2017, version 4.0) and will be updating its statements accordingly.

Compatible Parts



TE Part # 1855129-2
HDM w/FA
EMHBPR140TAB140O K



TE Part # 1855129-3
HDM w/FA
EMHBPR140TAB140O G



TE Part # 1717269-2
PL EX 187 INSULATED
FLAG REC PVC V-0



TE Part # 1717269-1
PL EX 187 INSULATED
FLAG REC PVC V-0


Also in the Series | Positive Lock 187



Crimp Terminal Housings
(85)



Insulation Boots & Sleeves
(9)

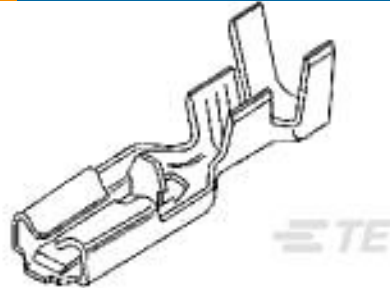


Quick Disconnects(47)

Customers Also Bought



TE Part #173690-1
PL 187 TERMINAL 24-20
AWG 0.3 X 14.0



TE Part #173691-1
PL 187 REC 20-16 AWG 0.3
X 14.0 PTBR



TE Part #175411-1
PL 110 REC 24-20 AWG
0.25 X 10.4 PTBR



TE Part #1612684-1
060/187 ABS 26POS
COVER ASSY



Documents

Product Drawings

PL 187 22-16 AWG 0.30 X 22.8 PTBR

English

CAD Files

3D PDF

3D

Customer View Model

[ENG_CVM_CVM_175193-1_D_c-175193-1-d.2d_dxf.zip](#)

English

Customer View Model

[ENG_CVM_CVM_175193-1_D_c-175193-1-d.3d_igs.zip](#)

English

Customer View Model

[ENG_CVM_CVM_175193-1_D_c-175193-1-d.3d_stp.zip](#)

English

Product Specifications

[Crimping "187" Series Flag Type Positive Lock EX Contact](#)

Japanese

[Application Specification](#)

Japanese

Product Environmental Compliance

[TE Material Declaration](#)

English

Agency Approvals

[UL](#)

English