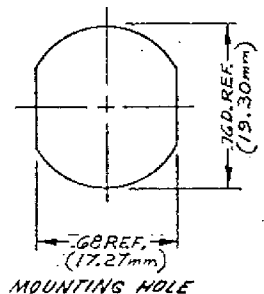
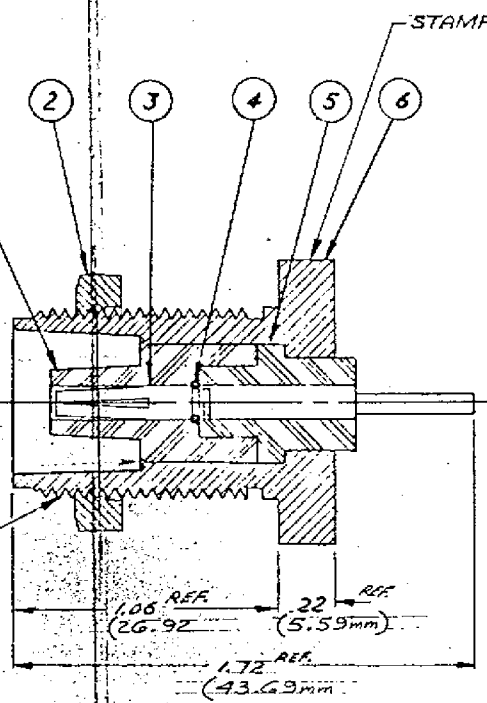


3/4-20 NEF-2THRD.



NOTES:
1. FOR USE WITH .38 MAX PANEL THICKNESS.

UNLESS OTHERWISE SPECIFIED:

1. TOLERANCES: FRACTIONS & 2 PLACE DECIMALS ± .010
- 3 PLACE DECIMALS ± .004
- T. I. R. CONCENTRICITY OF ANY 2 DIAMETERS MAY NOT EXCEED HALF THE SUM OF THEIR TOLERANCES.
2. REMOVE ALL BURRS, BREAK SHARP EDGES .005 MAX.
3. NO FILLETS PERMITTED.
4. SURFACE ROUGHNESS 63 MICROINCHES RMS MAX.
5. ALL DIMENSIONS PRIOR TO PLATING.

6	1	BODY
5	1	INSULATOR
4	1	C-RING
3	1	CONTACT
2	1	NUT
1	1	INSULATOR

ITEM	REQ'D	DESCRIPTION	DRAWING NO.
			KH-79-15

REVISIONS	
ISSUE	CHANGES
0	ER 9157 CC 23 DEC 70
1	CN 9686 A BB 12 MAY 71
2	CN 27087 A SD 23 APR 85

REF:	COLLINS RADIO 357-9662-00 REV. F.
FINISH	
SPEC.	
MATL.	
SPEC.	
	HN. BULKHEAD RECEPTACLE
DRAWN	C. C. DATE 22 DEC 70
APPR.	B. B. DATE 23 DEC 70

KINGS ELECTRONICS
40 WARELEDALE ROAD
TUCKAHOE, N. Y. 10707

DRAWING NO. KH-79-15

SD