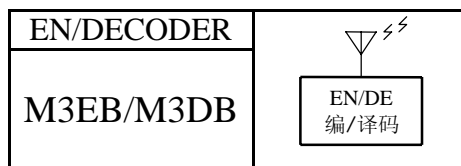




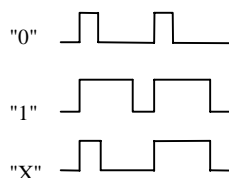
3-STATE 59,049 CODES 3 态 59,049 码
30 SECOND POWER OFF 30 秒自动断电
DIRECT DATA TRANSMIT 单键发射



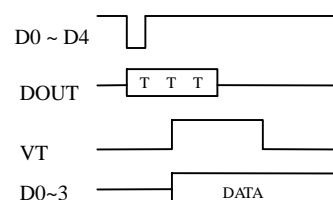
FEATURES 功能叙述

- Built-in IR carrier — suffix-I.
- Momentary DATA — suffix-M (M3DB).
- Data transmit over 30 second auto power off.
- Single resistor oscillator.
- 8 or 10 tri-state code address pins.
- 2 or 4 direct data transmit (internal pull-low resistor).
 - M3EB-2: 10 address, 2 data.
 - M3EB-4: 8 address, 4 data.

BIT FORMAT



PROTOCOL



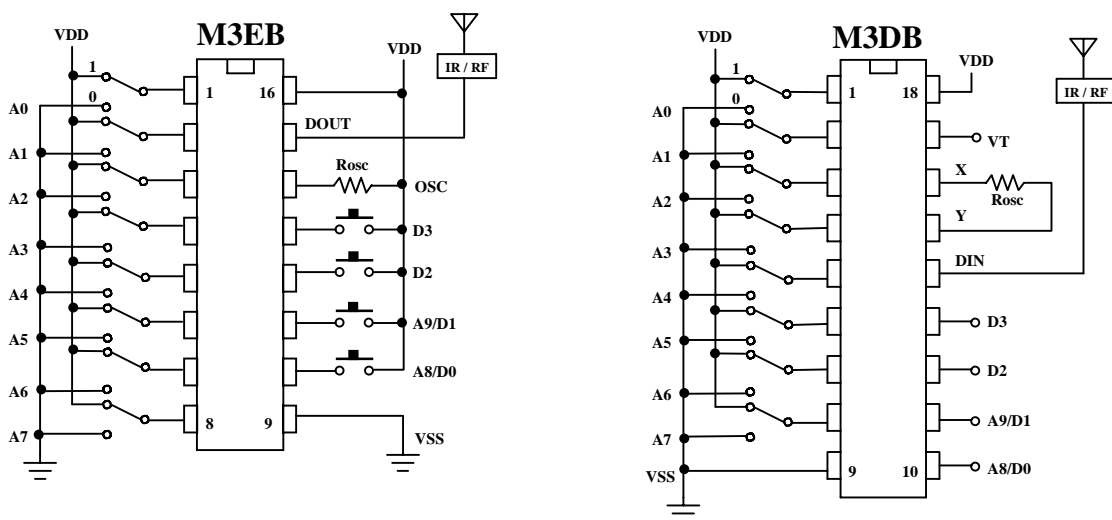
APPLICATION 产品应用

- Security alarm, Remote control. 防盗系统, 任何遥控装置.

ELECTRICAL CHARACTERISTICS 电气规格

Characteristics	Sym.	Min.	Typ.	Max.	Unit	REMARKS
工作电压 Operating Voltage	V_{DD}	2.4	—	13	V	
工作电流 Operating Current	I_{OP}	—	0.3	1	mA	No load
静态电流 Quiescent Current	I_{SB}	—	1	10	uA	
推动电流 Driving Current	I_{OL}	—	2	—	mA	@ $V_{DS}=1.2V$
振荡频率 Oscillator Frequency	F_{OSC}	—	152	—	KHz	External $\pm 30\%$
工作温度 Operating Temperature	Temp.	-20	25	60	$^{\circ}C$	

APPLICATION DIAGRAM 参考电路图



*Rosc : M3EB=470K Ω ; M3DB=1M Ω

*All specs and applications shown above subject to change without prior notice.

(以上电路及规格仅供参考,本公司得径行修正)