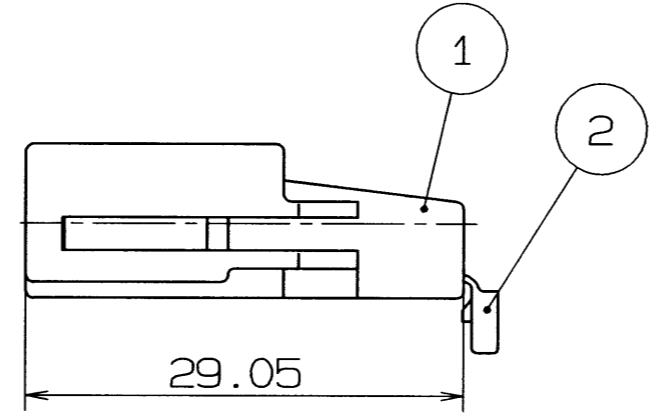
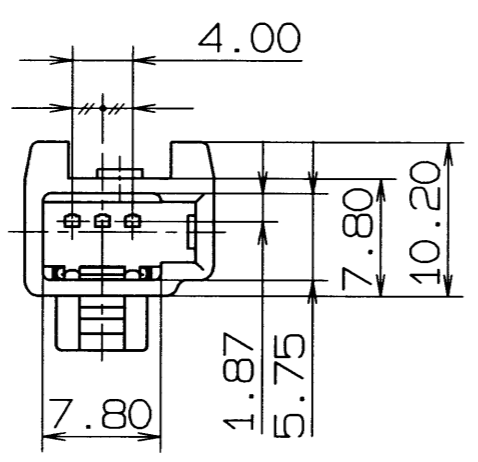
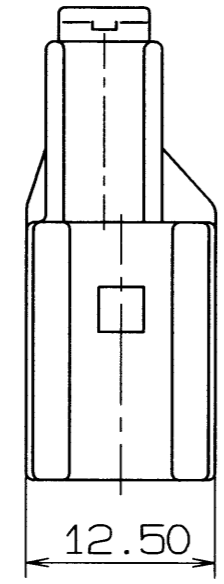


1

2

3

YAZAKI SUB ASS'Y PART NO.	NO.	YAZAKI PART NO.	MATERIAL	COLOR	QTY.
7282-8631	①	7182-8631	PBT	NATURAL	1
	②	△7157-6770	PBT	△NATURAL	1
△7282-8631-30	①	7182-8631-30	PBT	BLACK	1
	②	△7157-6770	PBT	△NATURAL	1



注記

- 1. 嵌合相手品番 : 7283-8630
△ : 7283-8630-30
- △ 2. 使用ターミナル品番 : 7114-1670-02, 7114-1670-08
7114-1800-02

NOTES

- 1. MATING PART NO.: 7283-8630
△ : 7283-8630-30
- △ 2. APPLICABLE TERMINAL NO.: 7114-1670-02
7114-1670-08
7114-1800-02

ISSUE MARK

△	96.03.22	ADDED PART NO.	C96-L475	H.K	CUSTOMER	MATL. SPEC.	SEE TABLE 1	TREAT. & FIN.
△	94.11.18	CH.REAR HOLDER COLOR	C94-M537	O.S	CUSTOMER PART NO.	NAME A TYPE CONNECTOR 3P-P (M)		
	93.06.21	NEW	C93-6755	T.Y	CUSTOMER DWG NO.	SUB ASS'Y		
LET	DATE	REVISION RECORD	NO.	CHKD	OFFICE	PART NO. △ 7282-8631 ETC.		
GENERAL TOLERANCE					VENDOR	CH.CODE		
	10MAX	50MAX	100MAX	250MAX	VENDOR NO.	DWG NO. 7282-8631: R		
A	±0.15	±0.2	±0.3	±0.5	DWG TYPE	DWG SOURCE	DWG DATE	UNIT
B	±0.2	±0.3	±0.55	±0.95	R	NEW	93.06.21	mm
©	±0.3	±0.5	±0.8	±1.4	APPROVED	CHECKED	CHECKED	ANGLE
SPECIFIED				±2	神田		渡辺	2/1 3
				±30'	96.03.26		96.3.26	DESIGN
				0.1				DRAWN
				0.15				SUGIYAMA S.UEBO
				0.1				YAZAKI CORPORATION
				0.15				

1

2

3