

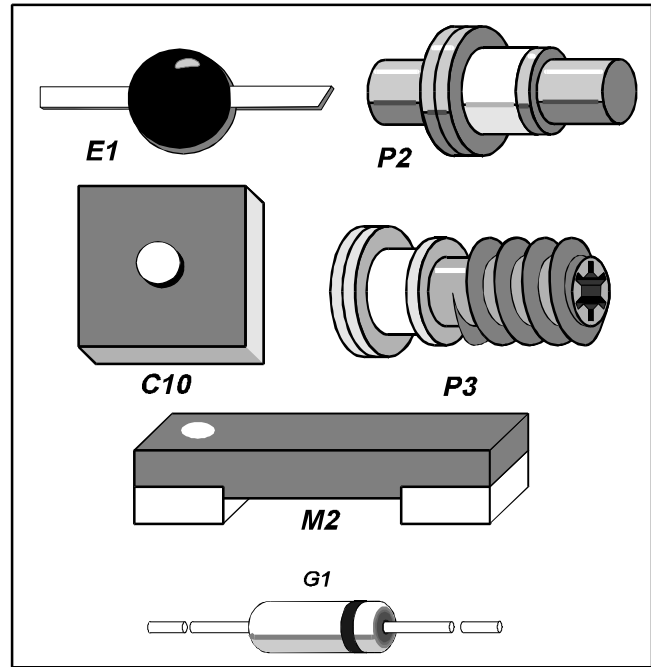
FEATURES

- Low R_S
- Long Lifetime
- Fast Transition Time
- High Temperature Metal

ENVIRONMENTAL RATINGS

(Maximum)

Operating Temperature.....-65 °C to +175°C
 Storage Temperature.....-65 °C to +200°C
 Soldering Temperature.....230 °C for 5 seconds



Electrical Specifications @ 25° C

PART NUMBER	CASE STYLE	$V_B(\text{min})$ $I_R=10 \mu\text{A}$ (Volts)	C_{J6} (min~max) (pF)	R_S (typ@100mA) (Ohms)	T_T (typ) (pSec)	t (typ) (nSec)	θ_{JC} ($\mu\text{C/W}$)	Max. Output Frequency (GHz)
MP4021	C14	20	0.2 - 0.5	0.8	50	15	60	20
MP4022	P2	20	0.2 - 0.5	0.8	50	15	60	20
MP4023	E1	20	0.2 - 0.5	0.8	50	15	60	20
MP4024	M2	20	0.2 - 0.5	0.8	50	15	60	18
MP4025	G1	20	0.2 - 0.5	0.8	50	15	60	18
MP4031	C10	30	0.5 - 1.0	0.6	70	30	45	14
MP4032	P2	30	0.5 - 1.0	0.6	70	30	45	14
MP4033	E1	30	0.5 - 1.0	0.6	70	30	45	14
MP4034	M2	30	0.5 - 1.0	0.6	70	30	45	12
MP4035	G1	30	0.5 - 1.0	0.6	70	30	45	12
MP4041	C10	40	1.0 - 2.0	0.5	120	60	25	8
MP4042	P2	40	1.0 - 2.0	0.5	120	60	25	8
MP4043	E1	40	1.0 - 2.0	0.5	120	60	25	8
MP4044	M2	40	1.0 - 2.0	0.5	120	60	25	8
MP4045	G1	40	1.0 - 2.0	0.5	120	60	25	8
MP4061	C15	60	2.0 - 4.0	0.3	240	120	15	4
MP4062	P3	60	2.0 - 4.0	0.3	240	120	15	4
MP4063	E1	60	2.0 - 4.0	0.3	240	120	15	4
MP4064	M2	60	2.0 - 4.0	0.3	240	120	15	4
MP4065	G1	60	2.0 - 4.0	0.3	240	120	15	4

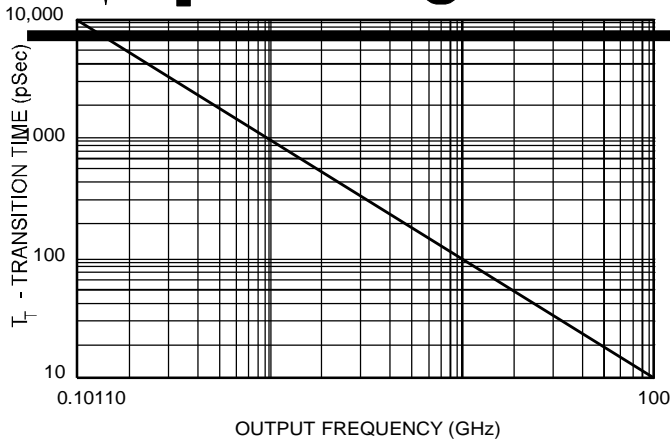


FIGURE 1
Curve showing Transition Time (T_T) versus Output Frequency for best efficiency.

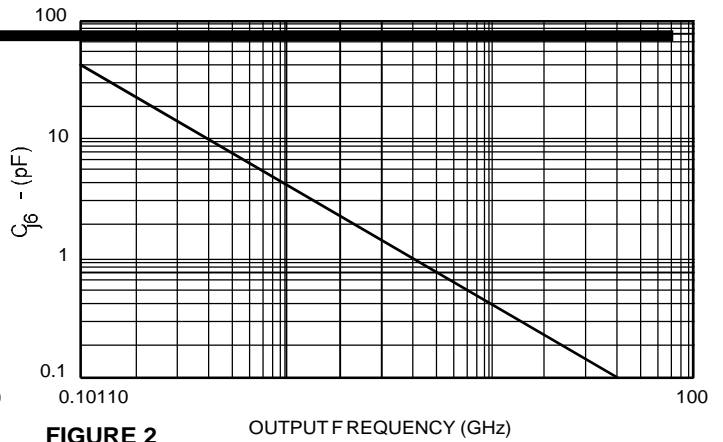


FIGURE 2
Curve showing recommended nominal C_{J6} versus Output Frequency for good impedance match and stability.

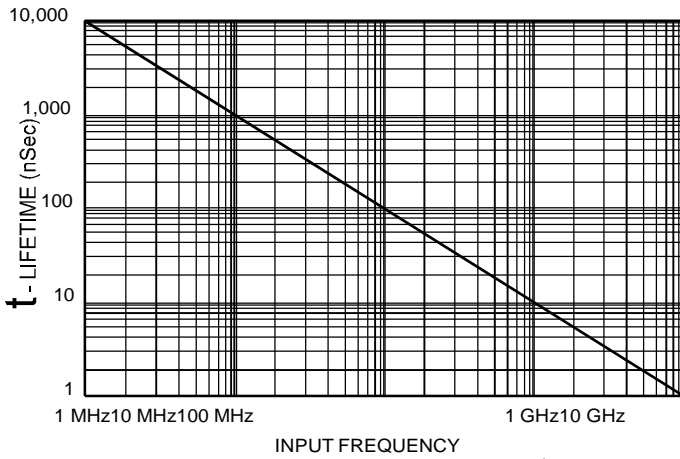


FIGURE 3
Curve showing minimum Lifetime (t) versus input frequency for maximum efficiency.

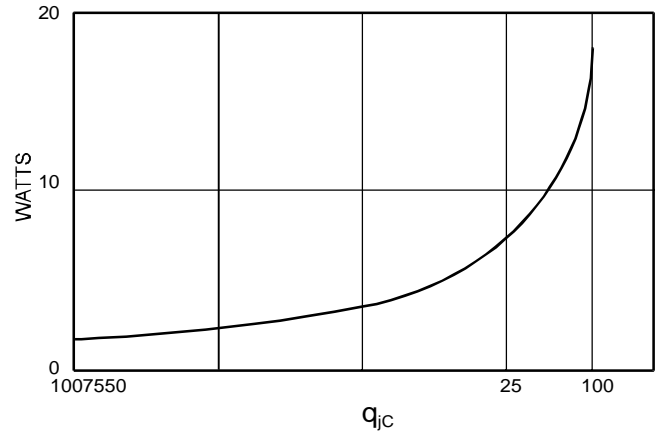
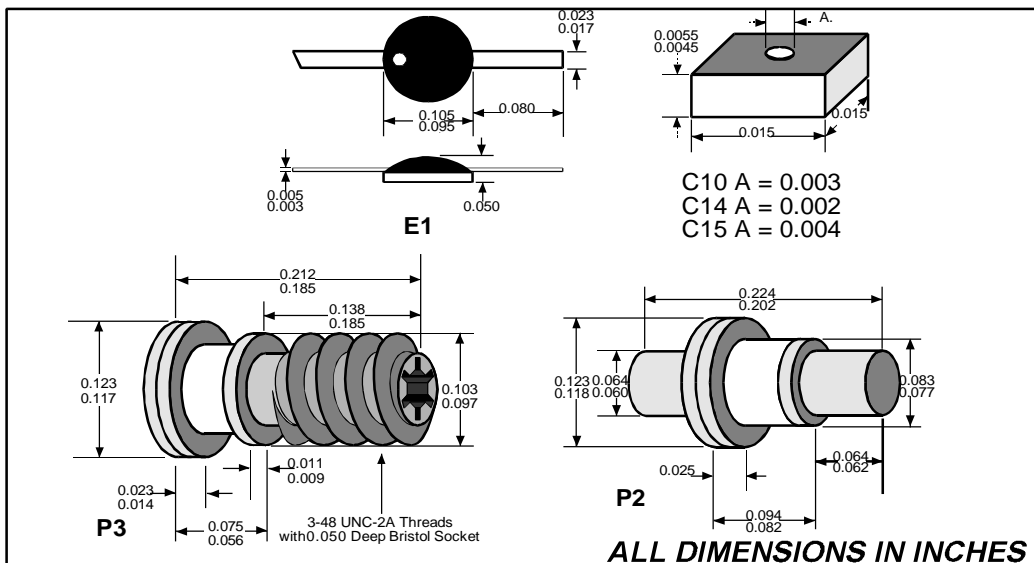


FIGURE 4
Curve showing maximum recommended Power In versus Thermal Resistance (θ_{JC}) for Ambient Temperature (T_A) at 25°C.



Alternate Packaging is available upon request.