

FERRULE, INNER, SHLD CHAMP ✓ ACTIVE

CHAMP | CHAMP Docking Connectors

TE Part # 554725-4

TE Internal #: 554725-4

[View on TE.com >](#)



Connectors > D-Shaped Connectors > D-Sub Accessories > Locking & Mounting



Accessory Type: Ferrule

Features

Product Type Features

Product Type	Accessory
Product Category	Connectors
Accessory Type	Ferrule

Body Features

Material	Copper Alloy
----------	--------------

Dimensions

Length	10.16 mm[.4 in]
--------	-----------------

Operation/Application

For Use With	Shielded Back-Back Cable Connectors, Shielded Cable Connectors
--------------	---

Packaging Features

Packaging Quantity	100
Packaging Method	Bag

Product Compliance

[For compliance documentation, visit the product page on TE.com>](#)

EU RoHS Directive 2011/65/EU	Compliant
EU ELV Directive 2000/53/EC	Compliant
China RoHS 2 Directive MIIT Order No 32, 2016	No Restricted Materials Above Threshold
EU REACH Regulation (EC) No. 1907/2006	Current ECHA Candidate List: JAN 2019 (197) Candidate List Declared Against: JUN 2016 (169)
Halogen Content	Low Halogen - Br, Cl, F, I < 900 ppm per

homogenous material. Also BFR/CFR/PVC Free

Solder Process Capability

Not applicable for solder process capability

Product Compliance Disclaimer

This information is provided based on reasonable inquiry of our suppliers and represents our current actual knowledge based on the information they provided. This information is subject to change. The part numbers that TE has identified as EU RoHS compliant have a maximum concentration of 0.1% by weight in homogenous materials for lead, hexavalent chromium, mercury, PBB, PBDE, DBP, BBP, DEHP, DIBP, and 0.01% for cadmium, or qualify for an exemption to these limits as defined in the Annexes of Directive 2011/65/EU (RoHS2). Finished electrical and electronic equipment products will be CE marked as required by Directive 2011/65/EU. Components may not be CE marked. Additionally, the part numbers that TE has identified as EU ELV compliant have a maximum concentration of 0.1% by weight in homogenous materials for lead, hexavalent chromium, and mercury, and 0.01% for cadmium, or qualify for an exemption to these limits as defined in the Annexes of Directive 2000/53/EC (ELV). Regarding the REACH Regulations, TE's information on SVHC in articles for this part number is still based on the European Chemical Agency (ECHA) 'Guidance on requirements for substances in articles' (Version: 2, April 2011), applying the 0.1% weight on weight concentration threshold at the finished product level. TE is aware of the European Court of Justice ruling of September 10th, 2015 also known as O5A (Once An Article Always An Article) stating that, in case of 'complex object', the threshold for a SVHC must be applied to both the product as a whole and simultaneously to each of the articles forming part of its composition. TE has evaluated this ruling based on the new ECHA "Guidance on requirements for substances in articles" (June 2017, version 4.0) and will be updating its statements accordingly.

Also in the Series | CHAMP Docking Connectors



D-Sub Backshells & Clamps (3)



D-Sub Covers(30)



D-Sub Locking & Mounting (44)



Docking Connector Guide Hardware(6)



Docking Connectors(38)



IDC D-Sub Connectors(88)



PCB D-Sub Connectors(2)

Customers Also Bought

FERRULE, INNER, SHLD CHAMP

TE Part # 554725-4
TE Internal #: 554725-4



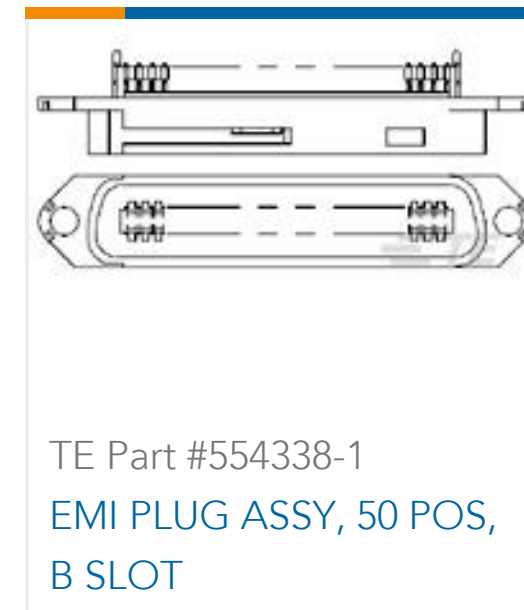
TE Part #5-102316-8
MOD IV RECP PLAD 30
DPLX LF



TE Part #554946-1
COVER KIT, 180 DEG, 50
POS, SHLD



TE Part #194189-6
PIN ASSY., CRIMP



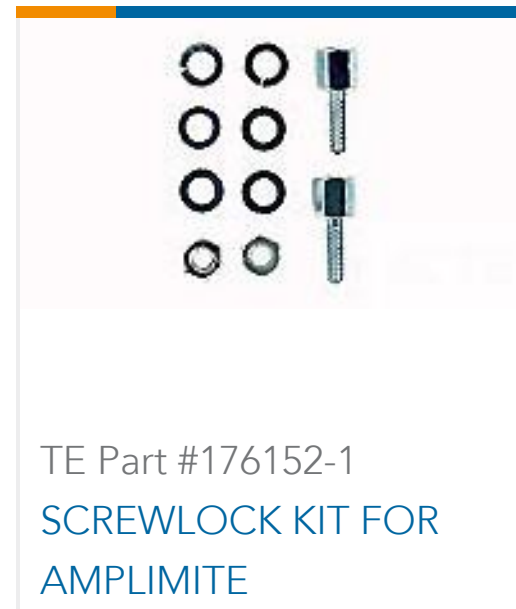
TE Part #554338-1
EMI PLUG ASSY, 50 POS,
B SLOT



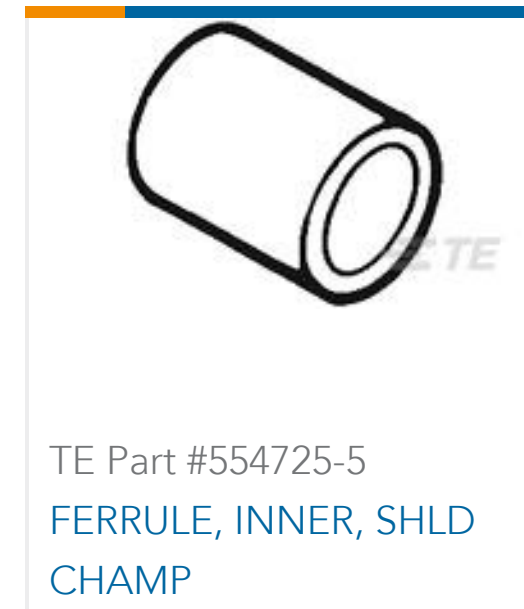
TE Part #CB5035-000
BSTS-13X25FR/NM



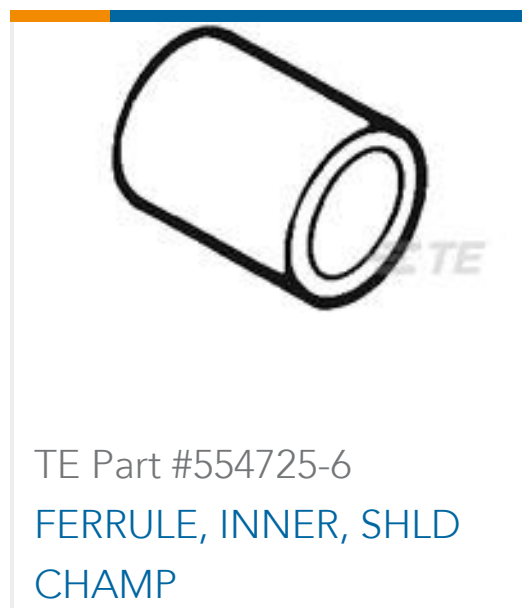
TE Part #1-201692-9
CTR. FASTENER PLUG
BLOCK-104



TE Part #176152-1
SCREWLOCK KIT FOR
AMPLIMITE



TE Part #554725-5
FERRULE, INNER, SHLD
CHAMP



TE Part #554725-6
FERRULE, INNER, SHLD
CHAMP



TE Part #6-103233-2
26 MODII HDR DRST
UNSHRD A/PIN

Documents

Product Drawings

[FERRULE, INNER, SHLD CHAMP](#)

English

CAD Files

[3D PDF](#)

3D

Customer View Model

[ENG_CVM_CVM_554725-4_A.2d_dxf.zip](#)

English

Customer View Model

[ENG_CVM_CVM_554725-4_A.3d_igs.zip](#)

English

Customer View Model

[ENG_CVM_CVM_554725-4_A.3d_stp.zip](#)

English

Instruction Sheets

[Instruction Sheet \(U.S.\)](#)



English

[AMP* SHIELDED CHAMP* 180 DEG CONNECTOR KITS AND COVER KITS](#)

English