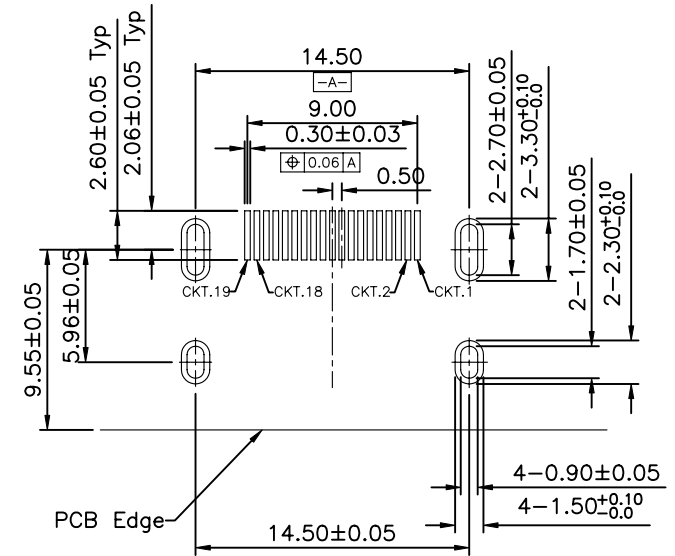
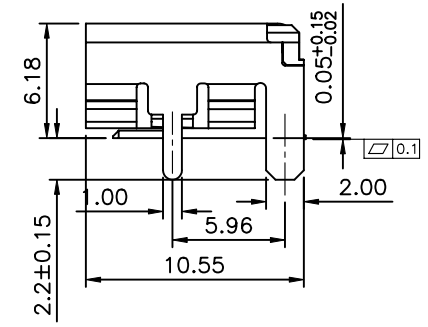
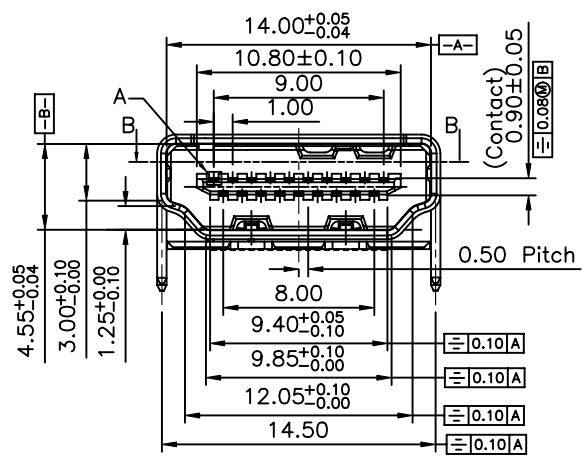
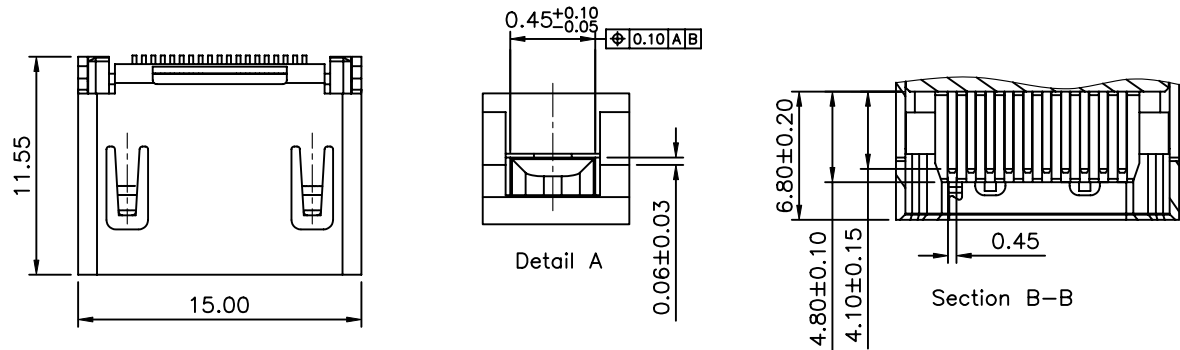
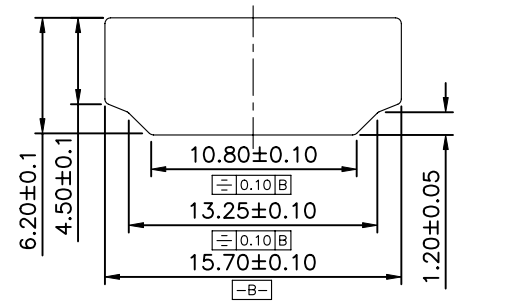
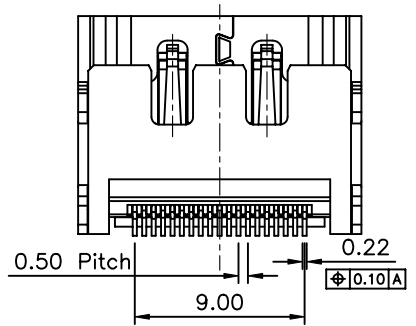


**SPECIFICATION**  
 Terminal Retention Force To Be 0.3Kgf Min.  
 Terminal Cut-Off Burr To Be 0.05 Max.  
 RoHS Compliant



Recommended PCB Layout  
 Connector Side



Recommended Panel Cut Out Dimension

Item	Name	Material	Finish/Color	Q'ty
1	Housing	LCP E130i	Black,UL 94V-0	1
2	Shell	SPCC,T=0.50	Ni Plated	1
3	Long Contact	C5191R-H,T=0.20	Ni+Au+Matte Tin	10
4	Short Contact	C5191R-H,T=0.20	Ni+Au+Matte Tin	9

**AUK** A MEMBER OF AUK GROUP  
**太聯事業股份有限公司**  
**AUK CONTRACTORS CO., LTD.**

CATEGORY		APPROVED BY		UNLESS OTHERWISE SPECIFIED TOLERANCES ARE .X ±0.25 .XX ±0.2 X.* ±3 .X* ±2				
PART No. HDM19SW-4-H		MEI						
DRAWING No. HDM19SW-4-H		CHECKED BY HZF						
		DRAWING BY XYH						
SCALE	NONE	REV.	AO	UNIT mm	△ AO	NEW RELEASE	HZF	08/18/2008
					NO.REV.	REVISIONS	CHK	DATE