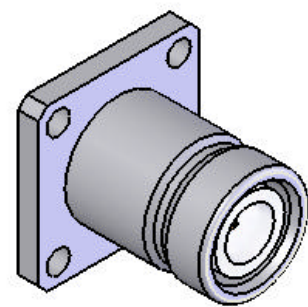


This document, including the design, configuration and mechanical features revealed herein are the sole, confidential and proprietary property of TRU Corporation. Reproduction or use thereof, in whole or part, is prohibited without the prior written consent of TRU Corporation.

REV.	DESCRIPTION	DATE	APPROVED
-	ORIGINAL ISSUE	12/3/07	WWW



ISOMETRIC VIEW
SCALE 1:1

ENGINEERING DATA:

ELECTRICAL:
IMPEDANCE: 50 OHMS NOMINAL

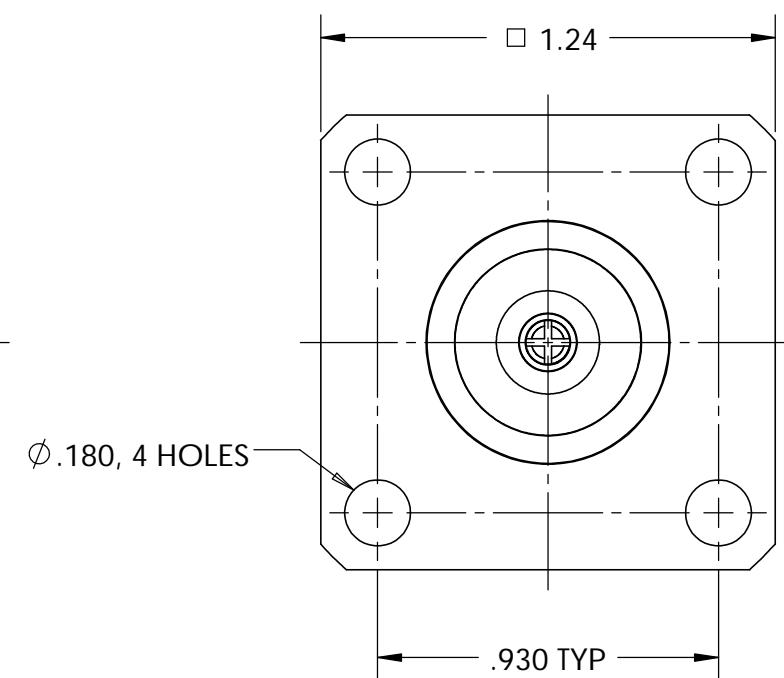
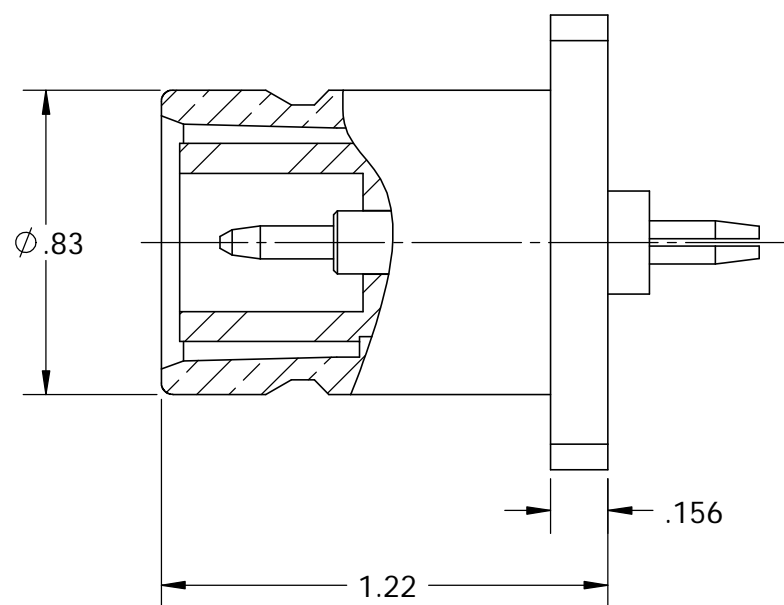
MECHANICAL:
INTERFACE: QRM(f-p) PER TRU SPEC
QC(m) PER TRU SPEC


MATERIAL:
INSULATORS: PTFE (TEFLON) PER ASTM-D1710, I1A
CONTACTS: BRASS C36000, H02 PER ASTM-B16
BODY: BRASS C36000, H02 PER ASTM-B16

FINISH:
CONTACTS: GOLD PLATED
BODY: NICKEL PLATED

NOTES:

- UNLESS OTHERWISE SPECIFIED; ALL DIMENSIONS ARE REFERENCE ONLY.
- PRODUCT COMPLIES WITH ROHS DIRECTIVE 2002/95/EC.



MATERIAL	DO NOT SCALE DRAWING	DRAWN Warren Whitten	DATE 11/28/07	 TRU CORPORATION 245 LYNNFIELD STREET, PEABODY, MA 01960 The Custom Interconnect Leader™
	UNLESS OTHERWISE SPECIFIED: DIMENSIONS ARE IN INCHES	ENG APPR. AM	DATE 11/29/0	
COMMENTS:	TOLERANCES: FRACTIONS: ±1/64 .XX : ±.01 .XXX: ±.005 ANGLES: ±1/2° MACHINED SURFACES: 63/√	MFG APPR.	DATE	TITLE: CONNECTOR ASSEMBLY QRM(m-p) to QC(m) ADAPTER
		OTHER APPR.	DATE	SIZE B DWG. NO. TRU-15046 REV -
surface area: sq inch	weight: lbs	THIRD ANGLE PROJECTION		CAGE CODE: 92180 SCALE: 2:1 SHEET 1 OF 1