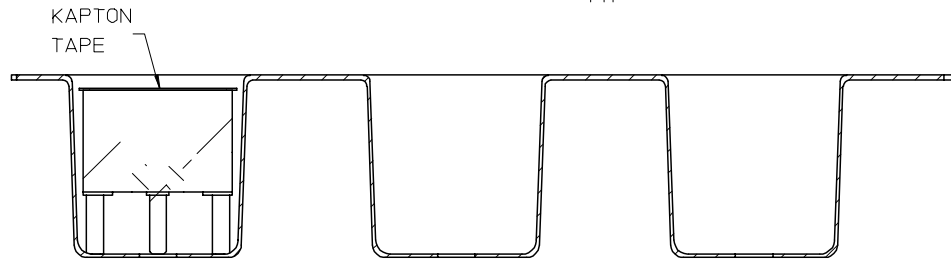
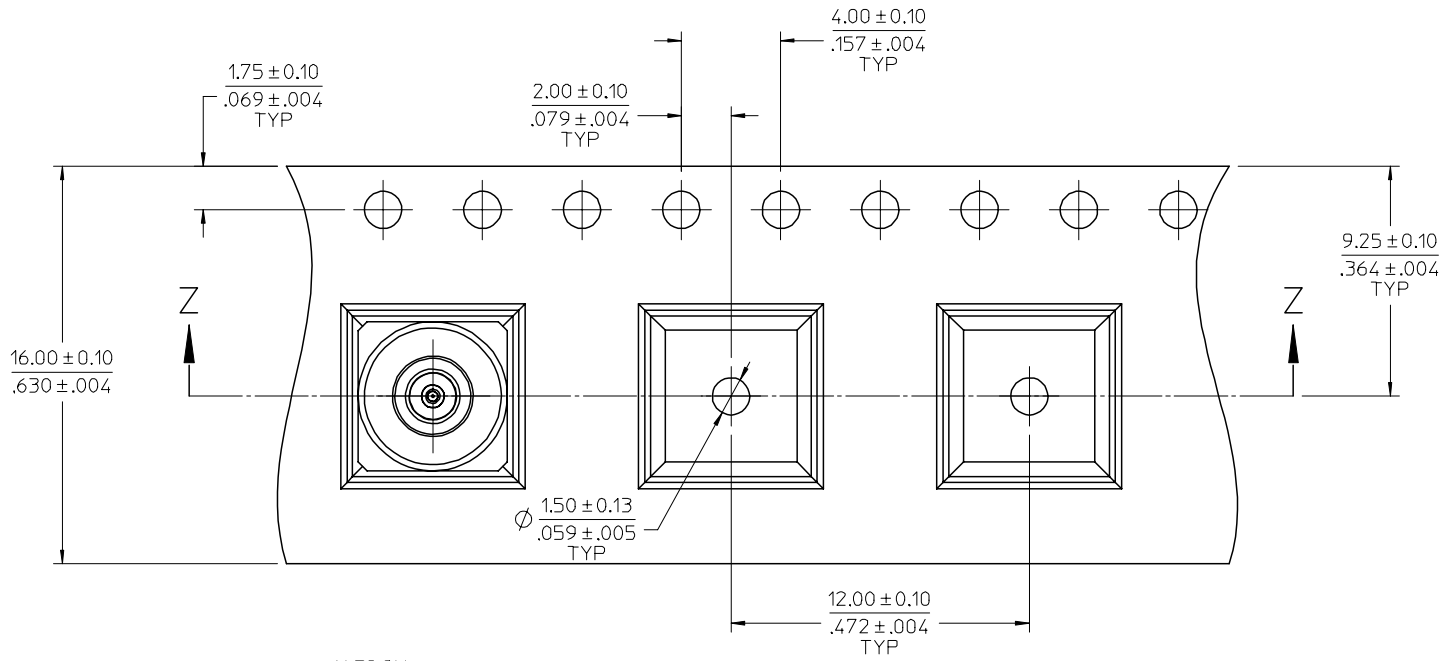


13 12 11 10 9 8 7 6 5 4 3 2 1

J
I
H
G
F
E
D
C
B
A

J
I
H
G
F
E
D
C
B
A

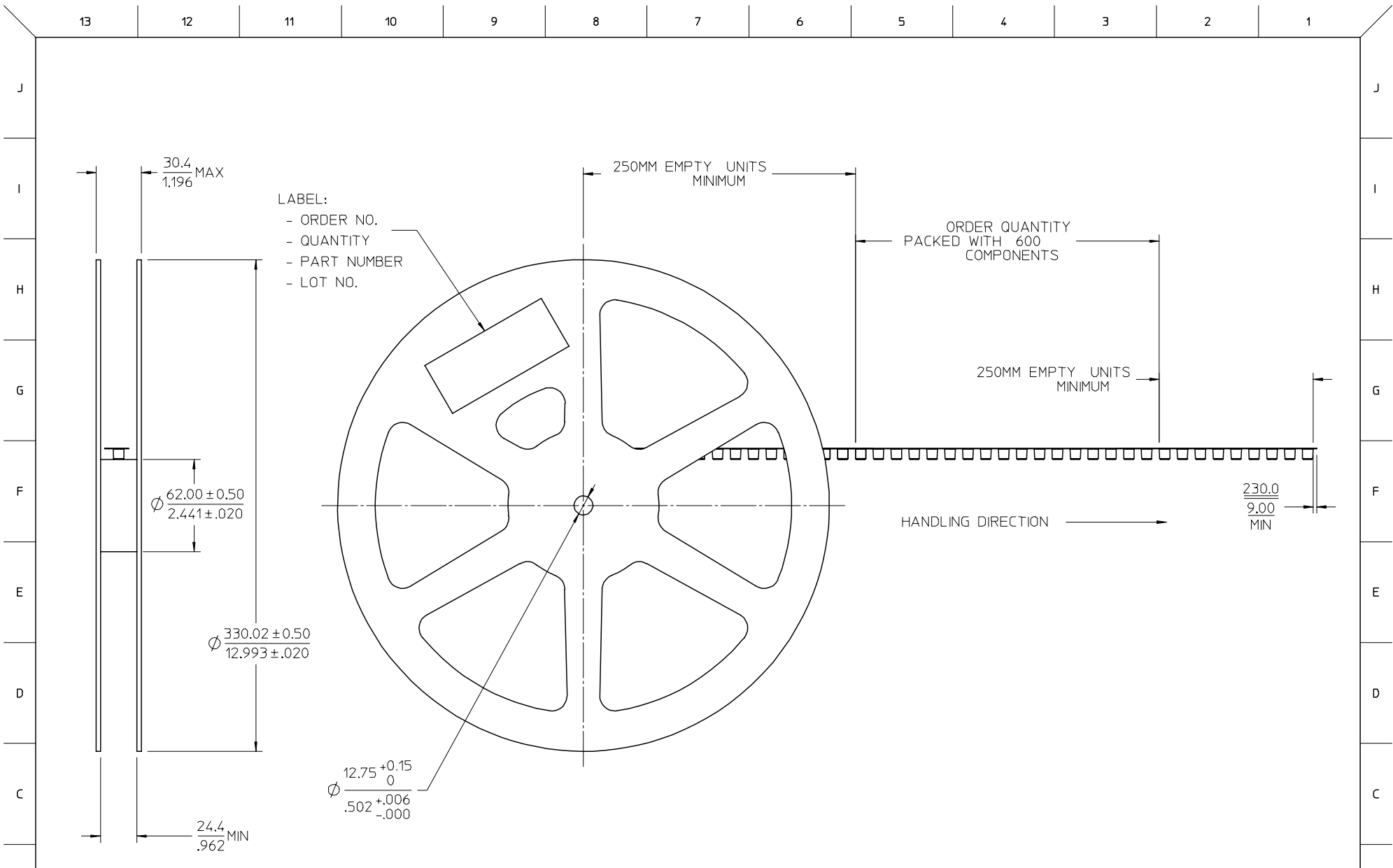
NOTE:
1. 10 PITCHES CUMULATIVE TOLERANCE ±0.20(.008)



SECTION Z-Z

CHG: SEE SHEET 1 EC NO: URF2007-0090 DRAWN: FLAHERTY 2006/08/28 CHKD: SHAH 2006/08/28 APPR: JIMENER 2006/08/28 REV: C1	QUALITY SYMBOLS ▽=0 ▽=0	GENERAL TOLERANCES (UNLESS SPECIFIED)		DIMENSION STYLE MM/IN		SCALE	DESIGN UNITS METRIC	THIRD ANGLE PROJECTION		
		4 PLACES ± --- ± --- 3 PLACES ± --- ± --- 2 PLACES ± --- ± --- 1 PLACE ± --- ± ---	mm INCH	DRAWN BY JM	DATE 2005/12/12	TITLE SMP PLUG, STRAIGHT WITH LIMITED DETENTS, PCB EWR-2972, SMP-P/PCB				
		ANGULAR ± 2 °		CHECKED BY JM	DATE 2005/12/12	APPROVED BY JDW		DATE 2005/12/12	MOLEX INCORPORATED	
		DRAFT WHERE APPLICABLE MUST REMAIN WITHIN DIMENSIONS		MATERIAL NO. 734155710	DOCUMENT NO. SD-73415-571	SHEET NO. 2 OF 3				

12 11 10 9 8 7 6 5 4 3 2 1



LABEL:
 - ORDER NO.
 - QUANTITY
 - PART NUMBER
 - LOT NO.

ORDER QUANTITY
 PACKED WITH 600
 COMPONENTS

250MM EMPTY UNITS
 MINIMUM

HANDLING DIRECTION →

230.0
 9.00
 MIN

CHG: SEE SHEET 1 EC NO: URF2007-0090 DRAWN: IFLAHERY 2006/08/28 CHKD: SHAH 2006/08/28 APPR: JIM ENEER 2006/08/28 C1	QUALITY SYMBOLS ▽=0 ▽=0	GENERAL TOLERANCES (UNLESS SPECIFIED)		DIMENSION STYLE MM/IN		SCALE	DESIGN UNITS METRIC	THIRD ANGLE PROJECTION																				
		<table border="1"> <thead> <tr> <th></th> <th>mm</th> <th>INCH</th> </tr> </thead> <tbody> <tr> <td>4 PLACES</td> <td>±----</td> <td>±----</td> </tr> <tr> <td>3 PLACES</td> <td>±----</td> <td>±----</td> </tr> <tr> <td>2 PLACES</td> <td>±----</td> <td>±----</td> </tr> <tr> <td>1 PLACE</td> <td>±----</td> <td>±----</td> </tr> </tbody> </table>			mm	INCH	4 PLACES	±----	±----	3 PLACES	±----	±----	2 PLACES	±----	±----	1 PLACE	±----	±----	<table border="1"> <thead> <tr> <th>DRAWN BY</th> <th>DATE</th> </tr> </thead> <tbody> <tr> <td>JM</td> <td>2005/12/12</td> </tr> </tbody> </table>		DRAWN BY	DATE	JM	2005/12/12	TITLE			
			mm	INCH																								
		4 PLACES	±----	±----																								
3 PLACES	±----	±----																										
2 PLACES	±----	±----																										
1 PLACE	±----	±----																										
DRAWN BY	DATE																											
JM	2005/12/12																											
<table border="1"> <thead> <tr> <th>CHECKED BY</th> <th>DATE</th> </tr> </thead> <tbody> <tr> <td>JM</td> <td>2005/12/12</td> </tr> </tbody> </table>		CHECKED BY	DATE	JM	2005/12/12	<table border="1"> <thead> <tr> <th>APPROVED BY</th> <th>DATE</th> </tr> </thead> <tbody> <tr> <td>JDW</td> <td>2005/12/12</td> </tr> </tbody> </table>		APPROVED BY	DATE	JDW	2005/12/12	SMP PLUG, STRAIGHT WITH LIMITED DETENTS, PCB EWR-2972, SMP-P/PCB																
CHECKED BY	DATE																											
JM	2005/12/12																											
APPROVED BY	DATE																											
JDW	2005/12/12																											
<table border="1"> <thead> <tr> <th>MATERIAL NO.</th> <th>DOCUMENT NO.</th> <th>SHEET NO.</th> </tr> </thead> <tbody> <tr> <td>734155710</td> <td>SD-73415-571</td> <td>3 OF 3</td> </tr> </tbody> </table>		MATERIAL NO.	DOCUMENT NO.	SHEET NO.	734155710	SD-73415-571	3 OF 3	<table border="1"> <thead> <tr> <th>SIZE</th> </tr> </thead> <tbody> <tr> <td>C</td> </tr> </tbody> </table>		SIZE	C	MOLEX INCORPORATED																
MATERIAL NO.	DOCUMENT NO.	SHEET NO.																										
734155710	SD-73415-571	3 OF 3																										
SIZE																												
C																												
DRAFT WHERE APPLICABLE MUST REMAIN WITHIN DIMENSIONS																												
THIS DRAWING CONTAINS INFORMATION THAT IS PROPRIETARY TO MOLEX INCORPORATED AND SHOULD NOT BE USED WITHOUT WRITTEN PERMISSION																												