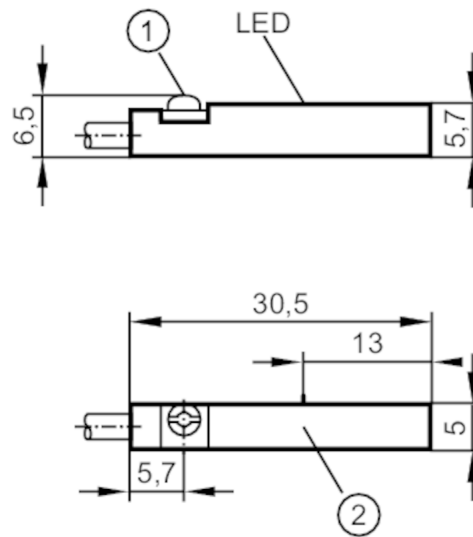


MR0123



T-slot cylinder sensor with reed contact

MRT3021BBKOA/R/6,0M/ZH



- 1 Fastening clamp with combined slot / hexagon socket head hexagonal socket AF 1.5
 2 sensing face



Electrical data

Operating voltage	[V]	5...50 AC/DC; (External protective circuit for inductive load (valve, contactor, etc.) necessary.; cULus - Class 2 source required)
Protection class		III
Reverse polarity protection		no

Outputs

Electrical design		PNP
Output function		normally open
Max. voltage drop switching output DC	[V]	1
Max. voltage drop switching output AC	[V]	1
Permanent current rating of switching output AC	[mA]	350
Permanent current rating of switching output DC	[mA]	500
Switching frequency AC	[Hz]	1000
Switching frequency DC	[Hz]	1000
Max. switching power	[W]	10
Short-circuit proof		no
Overload protection		no

Monitoring range

Magnetic sensitivity	[mT]	2.1
Travel speed	[m/s]	10

MR0123



T-slot cylinder sensor with reed contact

MRT3021BBKOA/R/6,0M/ZH

Accuracy / deviations		
Hysteresis	[mm]	1
Repeatability	[mm]	< 0.2
Reaction times		
Max. fall time	[ms]	0.1
Max. make time incl. bounce	[ms]	0.6
Operating conditions		
Ambient temperature	[°C]	-25...70
Protection		IP 65; IP 67
Tests / approvals		
EMC	EN 61000-4-2 ESD	- CD / 8 kV AD
	EN 61000-4-3 HF radiated	10 V/m
	EN 61000-4-4 Burst	2 kV
	EN 61000-4-6 HF conducted	10 V
	EN 55011	class B
MTTF	[years]	20385
UL approval	UL approval number	C004
Mechanical data		
Weight	[g]	72
Mounting		flush mountable
Cylinder type		T-slot cylinders
Dimensions	[mm]	30.5 x 5 x 6.5
Material		PA; Fastening clamp: stainless steel
Displays / operating elements		
Display	Switching status	1 x LED, yellow
Electrical connection		
Required protection	miniature fuse to IEC60127-2 sheet 1; ≤ 0,75 A; fast acting; DC operation; ≤ 0,6 A; fast acting; AC operation	
Accessories		
Accessories (supplied)	rubber memory stop: 1	
	cable clip: 1	
Remarks		
Pack quantity	1 pcs.	

MR0123



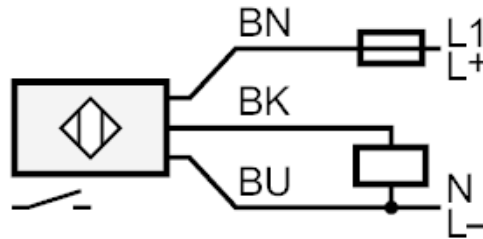
T-slot cylinder sensor with reed contact

MRT3021BBKOA/R/6,0M/ZH

Electrical connection

Cable: 6 m, PUR; 3 x 0.14 mm²

Connection



Note miniature fuse to IEC60127-2 sheet 1

≤ 0.75 A fast acting DC operation

≤ 0.6 A fast acting AC operation

Core colors :

BK =	black
BN =	brown
BU =	blue