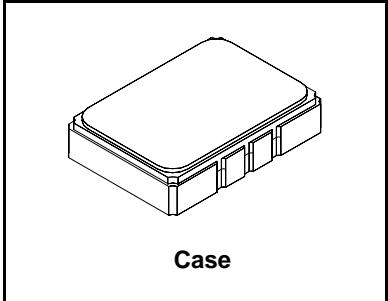




XVC5002

**122.88 MHz
VCXO**



- **Voltage-controlled Crystal Oscillator**
- **Complementary PECL Output**
- **Enable/Disable Input**
- **7.2 x 5.2 x 1.8 mm Surface-mount Case**
- **Complies with Directive 2002/95/EC (RoHS)**

Electrical Characteristics

Characteristic	Sym	Notes	Minimum	Typical	Maximum	Units
Nominal Frequency	fo			122.88		MHz
Component Storage Temperature			-55		+125	°C
Storage Temperature in Tape and Reel			-40		+85	°C
Operating Temperature Range			-40		+85	°C
Power Supply Voltage	Vdd		2.97	3.30	3.63	V
Load Impedance				50		ohm
Output Logic Low ("0" level)			Vdd - 1.810		Vdd - 1.620	V
Output Logic High ("1" level)			Vdd - 1.025		Vdd - 0.880	V
Duty Cycle Symmetry			45		55	%
Output Rise Time, 20% to 80% Vdd					1.0	ns
Output Fall Time, 80% to 20% Vdd					1.0	ns
Power Supply Current	Idd				80	mA
Control Voltage Input Range	Vcon			1.65 ±1.35		V
Frequency Stability					±50	ppm
Frequency Tuning Range, 1.65 ±1.35 V		1	±50			ppm
Start Up Time					10	ms
Enable Voltage Logic High			0.7 Vdd			-
Enable Voltage Logic Low					0.3 Vdd	-
Phase Jitter, integrated over 12 kHz to 20 MHz					1.0	ps
Standard Shipping Quantity on 180 mm (7") Reel				1000		units
Lid Symbolization	5002 YWWS					

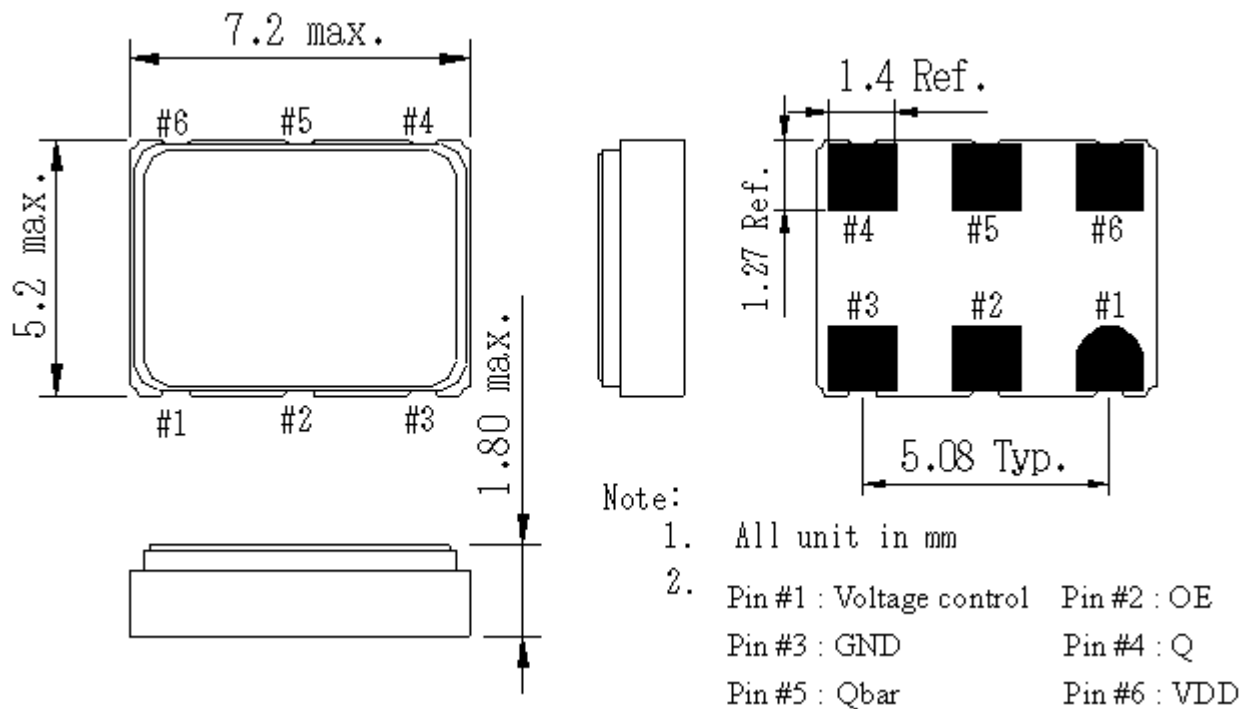


CAUTION: Electrostatic Sensitive Device. Observe precautions for handling.

Notes:

1. Frequency tuning range beyond the initial tolerance at 25 °C, plus drift due to changes in temperature, power supply voltage and aging.
2. The design, manufacturing process, and specifications of this device are subject to change without notice.

Case Dimensions and Pin Functions

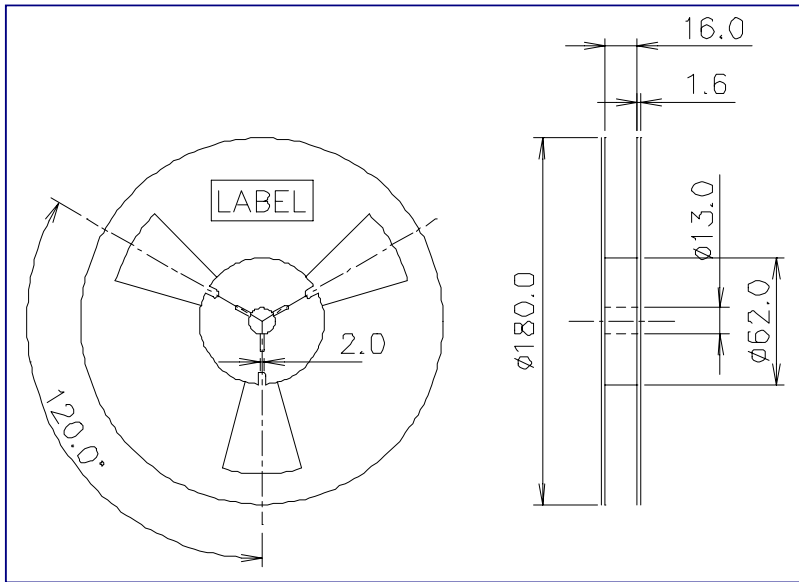


Enable/Disable Function:

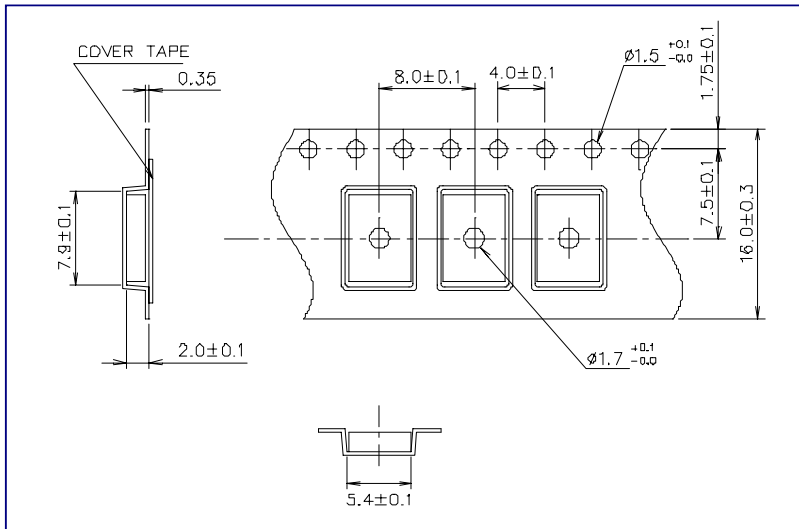
If Pin 2 is logic high or open, differential outputs on Pins 4 and 5 are enabled.

If Pin 2 is logic low, differential outputs on Pins 4 and 5 are disabled.

Reel Dimensions



Tape Dimensions



Case Orientation in Tape

