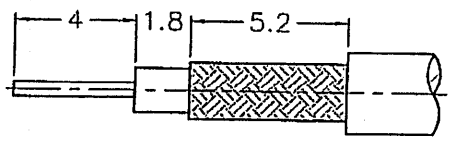


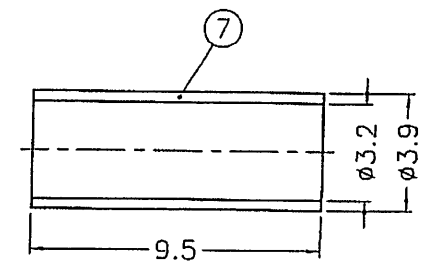
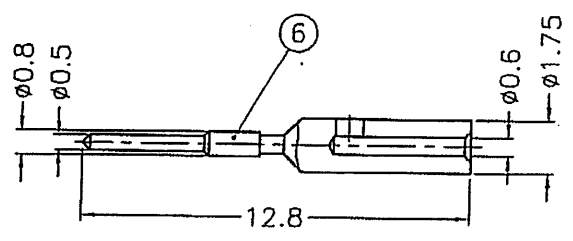
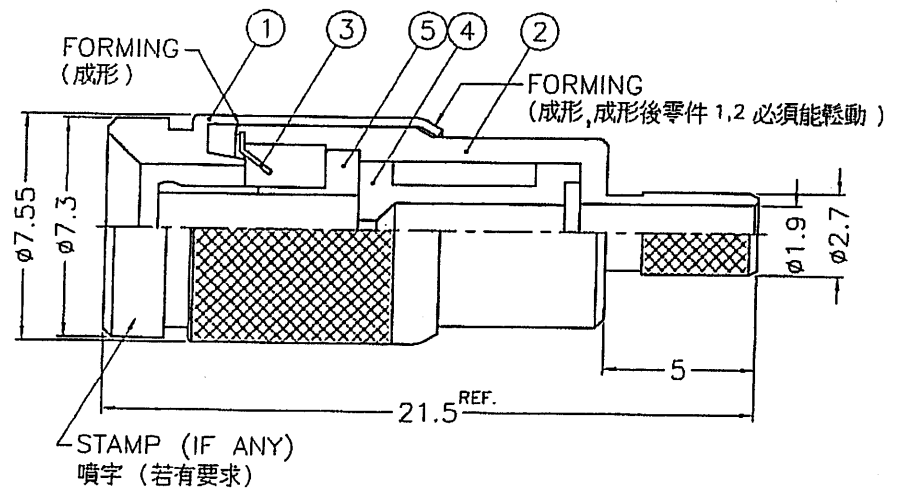
SALE

REVISIONS		
ISS	ZONE	DESCRIPTION\PER REQUEST\DATE



CABLES: -RG-179/U, 187A/U

RECOMMENDED  
CABLE STRIPPING DIM'S  
(建議剝線尺寸)



ISSUED  
2005. 2. 04  
R&D

1. CRIMPED FERRULE  
HEX CRIMP SIZE .128"
2. CRIMPED CONTACT PIN  
M22520/2-01, POSITIONER K41  
ADJUST TO 7

NOTES: FINISH (PLATING THICKNESS IN MICRO-INCHES)

1. BRASS PER QQ-B-626
2. BERYLLIUM COPPER PER QQ-C-530
3. NICKEL PL. 100 MIN. THICK OVER COPPER STRIKE
4. GOLD PL. 30 MIN. THICK OVER NICKEL PL. 100 MIN. THICK OVER COPPER STRIKE
5. TEFLON MIL-P-19468
6. JIS H 3250, C 2600

DIMENSIONS ARE IN MILLIMETERS					PART NO.		Amphenol			
7	FERRULE	NOTE 6	NOTE 3	1	FR-39/32X95	APPROVED	DATE	Danbury,CT,USA-Tainan,Taiwan-Shenzhen,China		
6	CONTACT PIN	NOTE 1	NOTE 4	1	CP10ABS01A	<i>S. J. H.</i>	01-28-05'	TITLE 1.0/2.3 PUSH-PULL CRIMP PLUG (FOR RG-179/U, 187A/U CABLE)		
5	OUT CONTACT	NOTE 2	NOTE 4	1	1231121D1-6-B	CHECKED	DATE	DRAWING NO.		
4	INSULATOR	NOTE 5	NATURAL	1	NS00AH003A	<i>S. J. H.</i>	01-28-05'	1231121M1-001-N/30GT30G-75		
3	SPRING	NOTE 2	NATURAL	1	123-PLUG-SPR	DRAWN	DATE	ITEM NO.		
2	BODY	NOTE 1	NOTE 3	1	BDD0ABD02A	<i>B. M.</i>	01-28-05'	101121AAC19MN7F		
1	SHELL	NOTE 1	NOTE 3	1	SH10AAC01A					
NO.	DESCRIPTION	MATERIAL	FINISH	O'TY	DRAWING NO.	SCALE	4/1	ISSUE	A	FILE NO. F:\DWG\123\1121M1\001\75\N30GT30GSZ

7RD-DR 24356 8