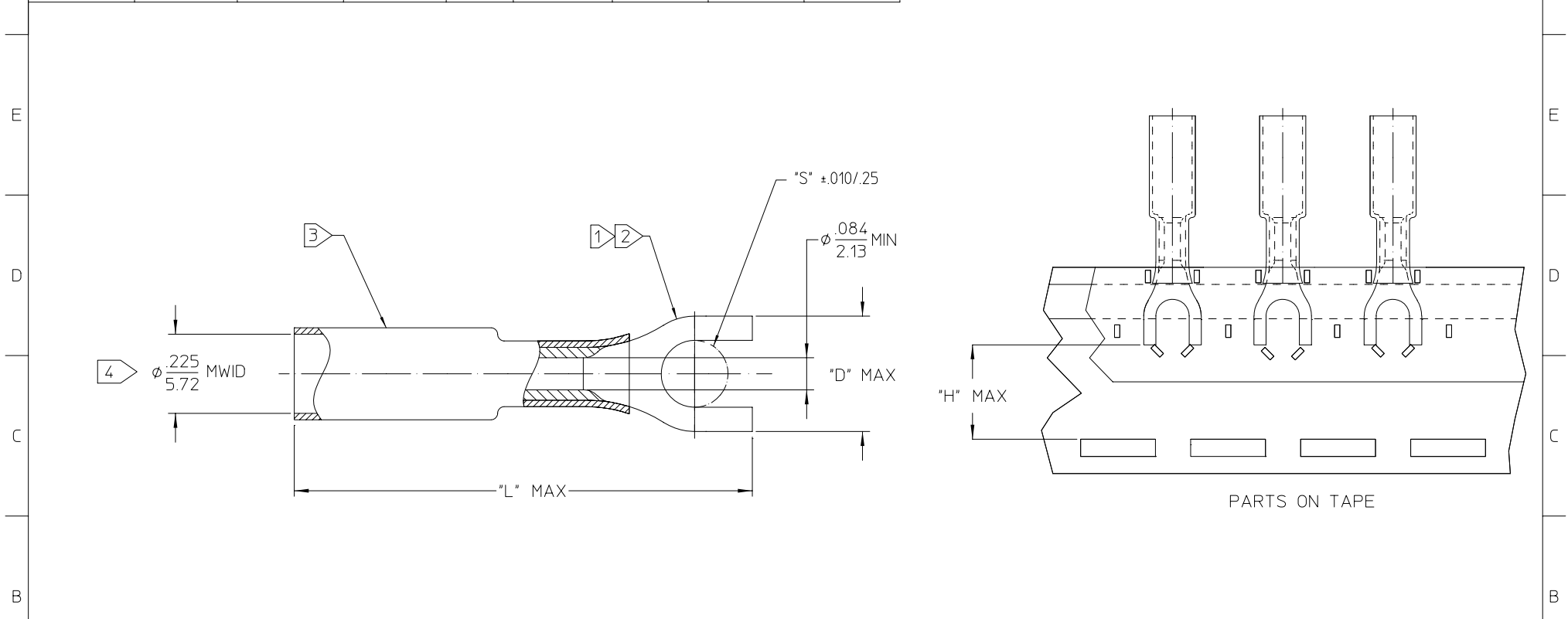


10	9	8	7	6	5	4	3	2	19040
LOOSE PC. MATERIAL NUMBER	LOOSE PC. ENGINEERING NUMBER	ON TAPE MATERIAL NUMBER	ON TAPE ENGINEERING NUMBER	STUD SIZE	HOLE SIZE "S"	"D"	"H"	"L"	
190400038	19040-0038	190400083	19040-0083	#6	Ø.146/3.71	.37/9.4	.47/11.9	1.42/36.1	
190400039	19040-0039	190400084	19040-0084	#8	Ø.173/4.39	.40/10.2	.47/11.9	1.42/36.1	
190400040	19040-0040	190400085	19040-0085	#10	Ø.198/5.03	.40/10.2	.47/11.9	1.42/36.1	



- NOTES:
 1. TERMINAL MATERIAL: COPPER ALLOY .031/0.79 THK.
 2. FINISH: ELECTRO TIN PLATE.
 3. INSULATION MATERIAL: HEAT SHRINKABLE TUBING WITH HOT-MELT ADHESIVE INNER LINER. COLOR: BLUE
 4. MVID = MAXIMUM WIRE INSULATION DIAMETER.

EC NO: ETC2002-0331 DRWN: BRUPERT 2002/05/16 CHKD: 2002/05/16 APPR: RDEROSS 2002/05/16	QUALITY SYMBOLS ▽ = 0 ▽ = 0	GENERAL TOLERANCES (UNLESS SPECIFIED)		SCALE NONE	DESIGN UNITS INCH	THIRD ANGLE PROJECTION	REVISE ON CAD ONLY	
		4 PLACES ± --- ± ---	3 PLACES ± --- ± .010	DIMENSION STYLE IN/MM		TITLE HEAT SHRINK TERMINAL 16-14AWG SPADE TONGUE		
		2 PLACES ± 0.25 ± .02	1 PLACE ± 0.5 ± ---	DRAWN BY B.RUPERT	DATE 04/23/02	MOLEX INCORPORATED		
		ANGULAR ± 1 °		CHECKED BY J.PAWLIC	DATE 04/30/02	MATERIAL NO SEE CHART	DOCUMENT NO SD-19040-008	SHEET NO 1 OF 1
A	REV	DRAFT WHERE APPLICABLE MUST REMAIN WITHIN DIMENSIONS		APPROVED BY R.DEROSS	DATE 04/30/02	THIS DRAWING CONTAINS INFORMATION THAT IS PROPRIETARY TO MOLEX INCORPORATED AND SHOULD NOT BE USED WITHOUT WRITTEN PERMISSION		