



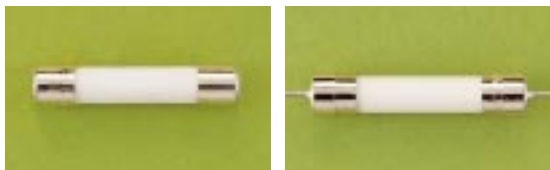
defining a degree of excellence

# Type 3AB / 3ABP

## Fast Blow Fuse Series

1/4 x 1 1/4 inch Ceramic Tube

3ABD0199



### Electrical Characteristics (UL/CSA STD. 248-14)

Testing Current	Blow Time	
	Minimum	Maximum
100%	4 Hrs.	N/A
135%	N/A	1 Hr
200%	N/A	5 sec

### Approvals



Safety Agency Approvals	Type	Amp range / Volt @ I.R. ability
Listed File no. E20624 Certified File no. LR39772	3AB / 3ABP	100mA - 1A / 250V AC@ 35A >1A - 3.5A / 250V AC@ 100A >3.5A - 10A / 250V AC@ 200A 100mA - 10A / 125V AC@ 10,000A
Approval File no. 32-1764 / no. 32-1766 File no. 32-1765	3AB / 3ABP	1A - 5A / 125V AC@ 500A >5A - 15A / 125V AC@ 300A

### Storage Temperature

-55°C to +125°C

### Physical Specification

#### Materials

Ceramic body / Nickel Plated Brass Caps

Lead wire:

Tin-lead plated Copper, Diameter 0.040" for all ratings

#### Marking

On fuse:

"bel", "3AB", "Current Rating", "Voltage Rating", and "Appropriate Safety Logos"

On label:

Above info plus "CE" and interrupting rating

Voltage on fuse:

250V for 100mA to 10A

#### Packaging

1. In bulk:

**3AB** - 1,000 pcs per box; **3ABP** - 500 pcs per box

2. On Axial Tape & Reel:

1,000 pcs per reel

3. Tape & Reel specification:

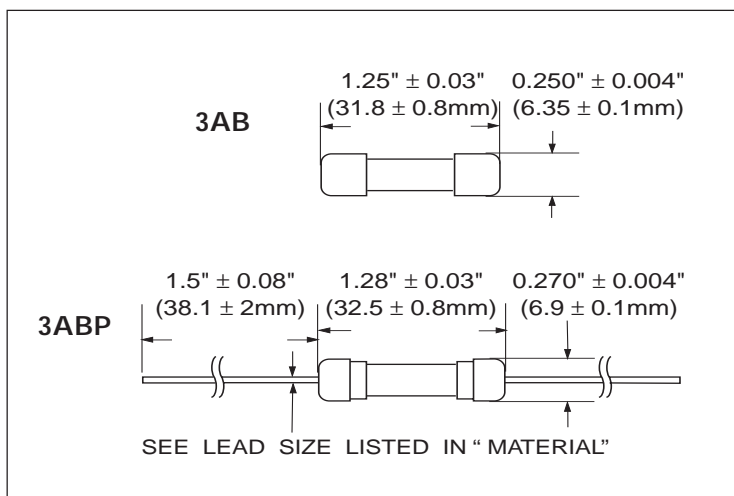
per EIA-296-E & IEC 286-1

@ 10mm Pitch and 73mm inside Tape Spacing

Catalog Number	Ampere Rating	Typical Cold Resistance (ohm)	Volt-drop @100% $I_n$ (Volt) max.	Melting $I^2T < 10$ mSec (A <sup>2</sup> Sec)	Melting $I^2T @10$ $I_n$ (A <sup>2</sup> Sec)	Maximum Power Dissipation (W)
3AB (P) 100	100mA	12.5	4.5	0.002	0.002	0.59
3AB (P) 125	125mA	12.0	4.5	0.004	0.003	0.74
3AB (P) 160	160mA	8.3	4.2	0.008	0.005	0.87
3AB (P) 200	200mA	5.7	3.9	0.014	0.010	1.02
3AB (P) 250	250mA	3.9	3.6	0.025	0.017	1.19
3AB (P) 300	300mA	2.7	3.4	0.044	0.032	1.40
3AB (P) 375	375mA	2.0	3.2	0.07	0.05	1.58
3AB (P) 500	500mA	1.28	2.9	0.14	0.10	1.92
3AB (P) 750	750mA	0.24	0.2	0.75	0.74	0.30
3AB (P) 1	1A	0.16	0.23	1.43	1.44	0.37
3AB (P) 1.25	1.25A	0.114	0.21	2.45	2.51	0.44
3AB (P) 1.6	1.6A	0.084	0.20	4.2	4.4	0.51
3AB (P) 2	2A	0.063	0.18	7.2	7.6	0.59
3AB (P) 2.5	2.5A	0.047	0.170	12	13	0.70
3AB (P) 3	3A	0.035	0.162	21	23	0.83
3AB (P) 3.5	3.5A	0.030	0.157	28	31	0.91
3AB (P) 4	4A	0.026	0.154	36	40	1.0
3AB (P) 5	5A	0.020	0.146	63	70	1.2
3AB (P) 6	6A	0.015	0.139	107	123	1.4
3AB (P) 7	7A	0.013	0.135	141	162	1.6
3AB (P) 8	8A	0.012	0.132	184	214	1.7
3AB (P) 10	10A	0.009	0.125	316	372	2.0

Consult manufacturer for other ratings

### Mechanical Dimensions



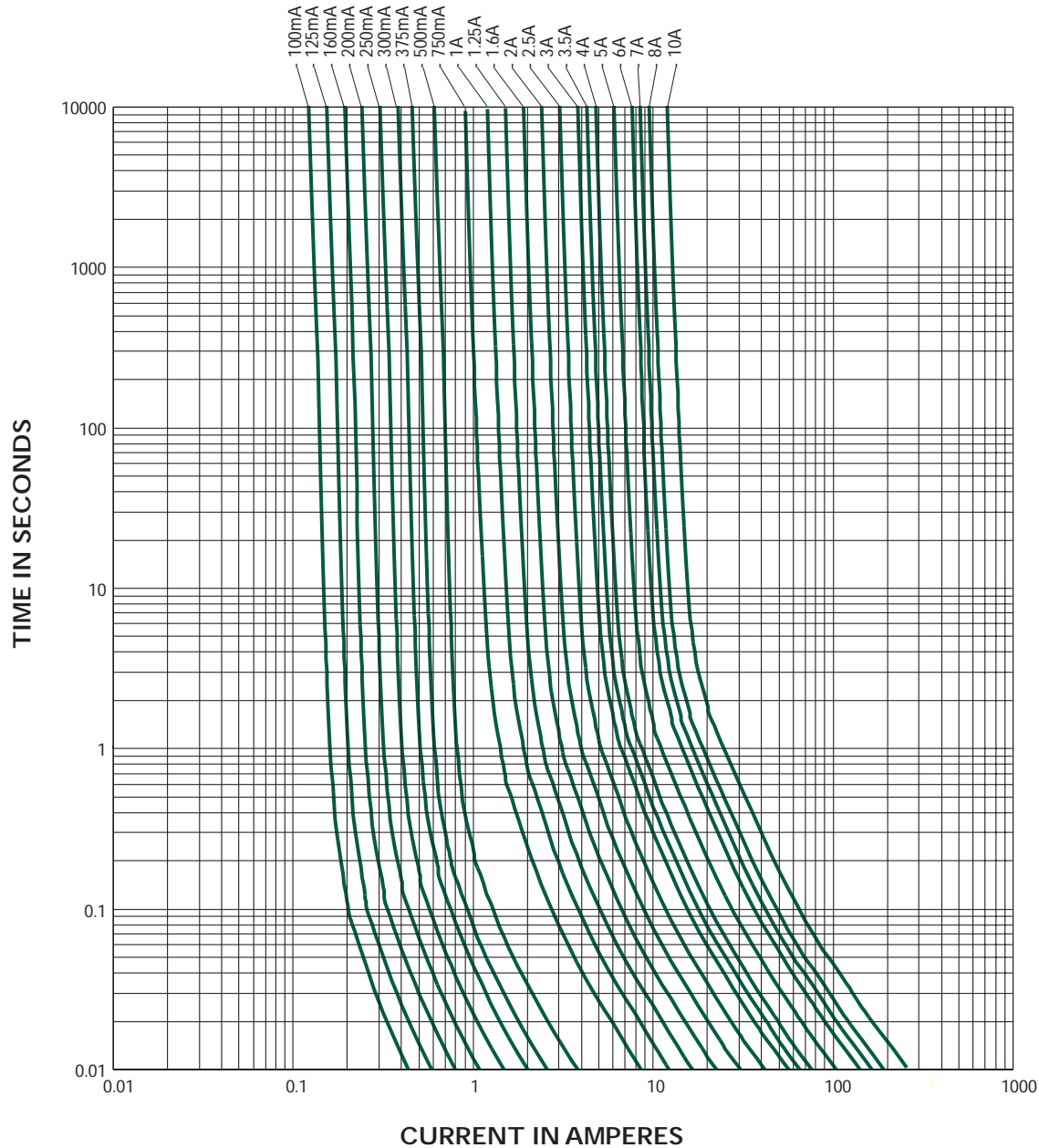
Specifications subject to change without notice

**Type 3AB / 3ABP**  
Fast Blow Fuse Series

1/4 x 1 1/4 inch Ceramic Tube

3ABC0600

**3AB / 3ABP - TIME CURRENT CHARACTERISTIC CURVE**



Specifications subject to change without notice

NOTE - see important information under "User Guide" on P.08

**Corporate Office**

Bel Fuse Inc.  
198 Van Vorst Street, Jersey City, NJ 07302  
Tel: 201-432-0463  
Fax/Fax: 201-432-9542  
E-Mail: [belfuse@belfuse.com](mailto:belfuse@belfuse.com)  
Internet: <http://www.belfuse.com>

**Far East Office**

Bel Fuse Ltd.  
8F/8 Luk Hop Street  
San Po Kong  
Kowloon, Hong Kong  
Tel: 852-2328-5515  
Fax: 852-2352-3706

**European Office**

Bel Fuse Europe Ltd.  
Preston Technology Management Centre  
Marsh Lane, Preston PR1 8U  
Lancashire, U.K  
Tel: 44-1772-556601  
Fax: 44-1772-888366