

PRODUCT DATA DRAWING

CAD
GENERATED
DRAWING

DCN
CONTROLLED
DOCUMENT

DWG. NO.

4000-0090

MATERIAL :

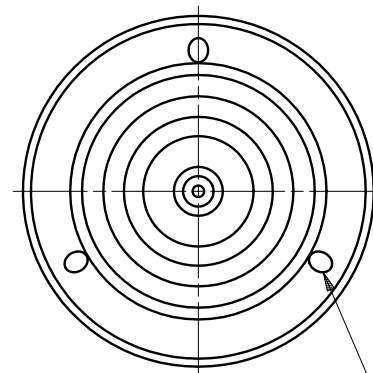
CONTACT FINGERS: BERYLLIUM COPPER PER ASTM B196
 GASKETS: SILICONE RUBBER PER ZZ-R-765
 INSULATOR: TEFLON PER ASTM D1710
 OTHER METAL PARTS: BRASS PER ASTM B16

FINISH :

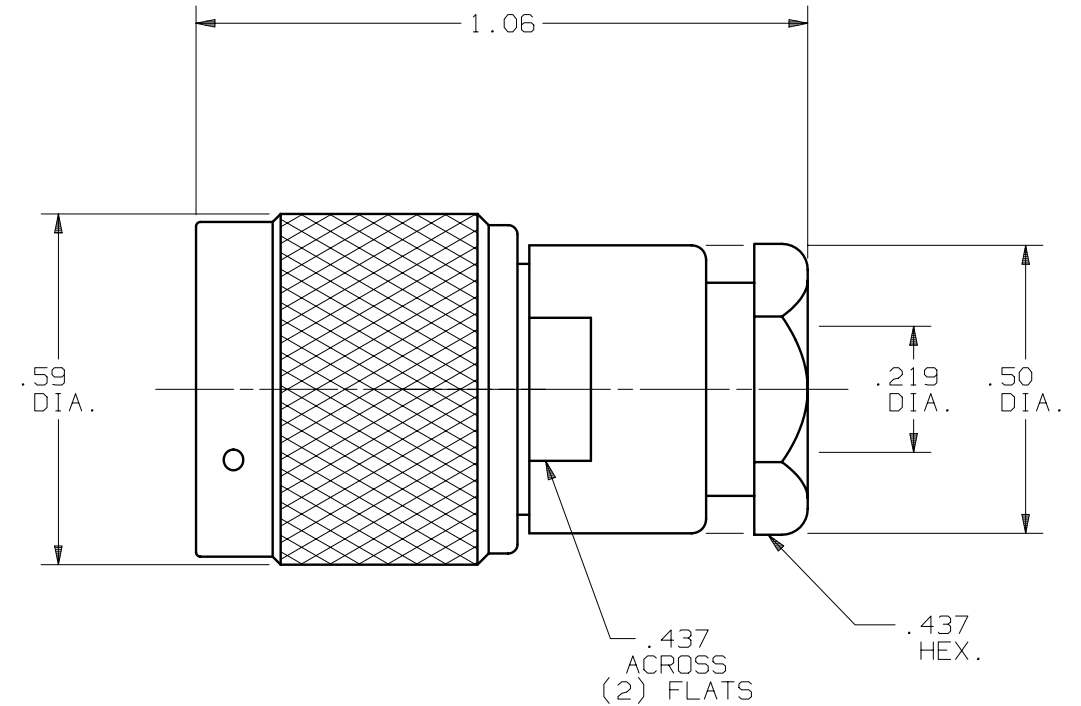
CONTACT: GOLD PER ASTM B488, TYPE II
 GRADE C, CLASS .76; OVER NICKEL
 PER QQ-N-290, CLASS 1
 OTHER METALS: PER QQ-S-365, GRADE A, TYPE II

PERFORMANCE :

IMPEDANCE: 50 OHMS
 DWV: 1500 VRMS
 FREQ. RANGE: DC-10.0 GHz
 INSUL. RES.: 5000 MEGOHMS, MIN.
 VSWR: 1.3 MAX. DC-10 GHz



.034 DIA.
3-HOLES
EQ. SPACED



SYM.	DESCRIPTION	DATE	APPR.	UNLESS OTHERWISE SPECIFIED:			DIMENSIONS ARE IN INCHES			SV Microwave, Inc. 2400 Centrepark West Drive, Suite 100 West Palm Beach, FL 33409		
-	REL.DCN 31580	06/04	BRT	1) ALL DIMENSIONS ARE AFTER PLATING. 2) BREAK CORNERS & EDGES .005 R.MAX. 3) CHAM. 1s1 & LAST THDS. 4) SURFACE ROUGHNESS 63 / MIL-STD-10. 5) DIAS. ON COMMON CENTERS TO BE CONCENTRIC WITHIN .005 T.I.R. 6) REMOVE ALL BURRS.			TOLERANCES: DECIMALS FRACTIONAL ANGULAR .X ±.030 X° ±1°0' .XX ±.015 ±1/64 X°X' ±15' .XXX ±.005				TITLE: TNC PLUG W/CAPTIVE CONTACT FOR RG-55, 58, 223/U CABLE	
				DRAWN: MGT 06/03/04	FINISH: SEE ABOVE	□" AREA: N/A	MATERIAL: SEE ABOVE			DWG. NO.		
				CHECKED: BRT 06/03/04	SIZE B	CAGE NO. 95077	SCALE 5X	4000-0090				
				APPROVED: BRT 06/03/04								