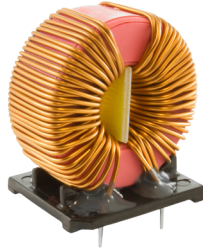


THT Common Mode Chokes

PH9455.XXXNL Series



- Dielectric Strength:** 1500Vrms
- Inductance Range:** 1.00mH (at 22.0A) to 82.0mH (at 3.0A)
- Height:** 28.0mm Max
- Footprint:** 12.6mm x 10.0mm
- Voltage Rating:** 250Vac Max

Electrical Specifications @ 25°C - Operating Temperature -40°C to +125°C

| Part Number | Inductance (1-4)=(2-3) (mH +50%/-30%) | Current Rating (1-4)=(2-3) ¹ (A) | DCR (1-4)=(2-3) (mΩ Max) | Self Resonant Frequency (1-4)=(2-3) (MHz Min) | Impedance (kOhms Min at SRF) |
|--------------|---|---|--------------------------------|--|---------------------------------|
| PH9455.105NL | 1.00 | 22 | 2.10 | 15.94 | 1.5 |
| PH9455.155NL | 1.62 | 19 | 3.20 | 10.00 | 1.8 |
| PH9455.205NL | 2.20 | 16 | 4.50 | 8.39 | 2.6 |
| PH9455.405NL | 4.50 | 12 | 8.50 | 4.00 | 4.4 |
| PH9455.705NL | 6.50 | 9 | 14.0 | 1.52 | 6.4 |
| PH9455.156NL | 15.0 | 6 | 30.0 | 0.76 | 10 |
| PH9455.356NL | 35.0 | 4 | 80.0 | 0.33 | 21 |
| PH9455.826NL | 82.0 | 3 | 150 | 0.13 | 37 |

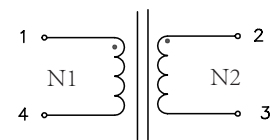
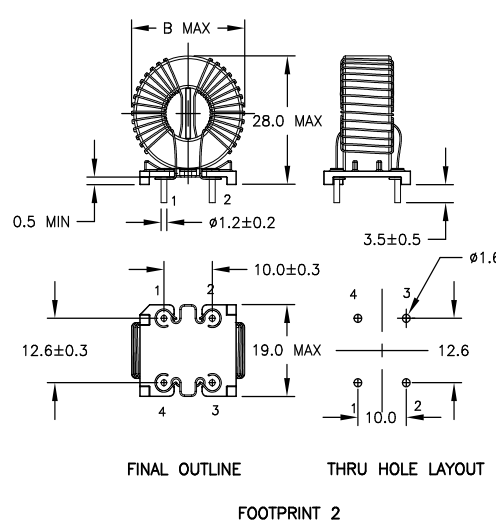
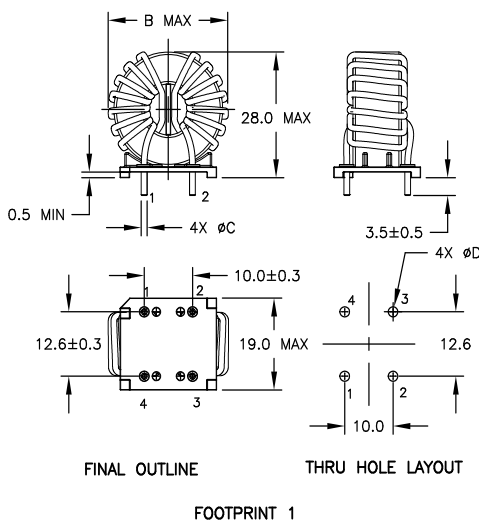
Notes:

1. The current rating (I_{rated}) is based upon the temperature rise of the component and represents the rms current which will cause a typical temperature rise of 55°C.

Mechanical

Schematic

PH9455.XXXNL



| PART NUMBER | B | C | D | FOOTPRINT |
|--------------|------|-----------|------|-----------|
| PH9455.105NL | 30.0 | 1.63±0.20 | 2.10 | 1 |
| PH9455.155NL | | 1.45±0.20 | 1.90 | |
| PH9455.205NL | | 1.29±0.20 | 1.70 | |
| PH9455.405NL | 27.0 | 1.15±0.20 | 1.50 | 2 |
| PH9455.705NL | | 1.02±0.20 | 1.45 | |
| PH9455.156NL | | | | |
| PH9455.356NL | | | | |
| PH9455.826NL | | | | |

Weight (TYP)20grams

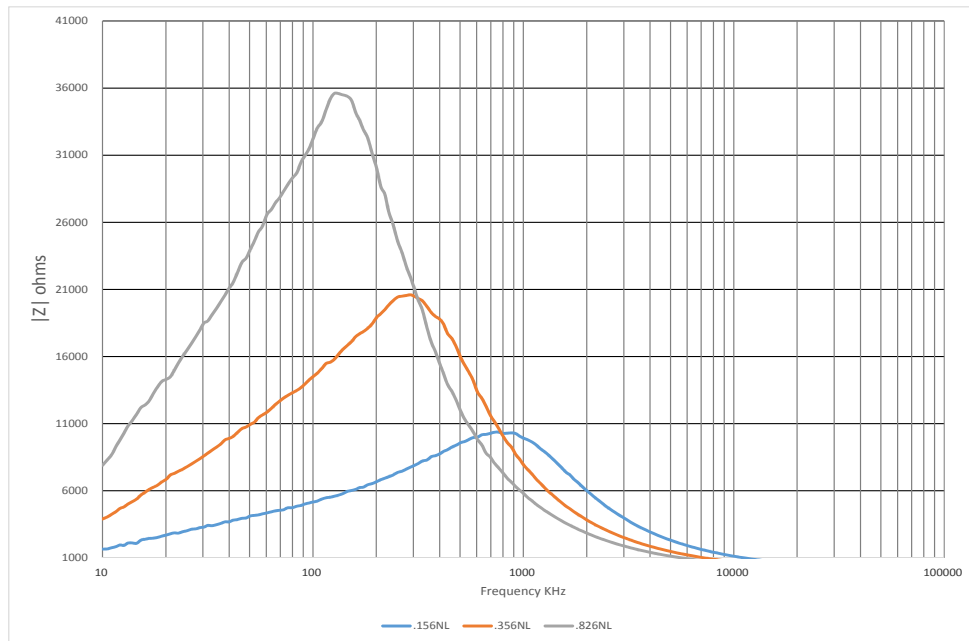
Tray45/tray

Dimensions: mm

Unless otherwise specified, all tolerance are ±0.25

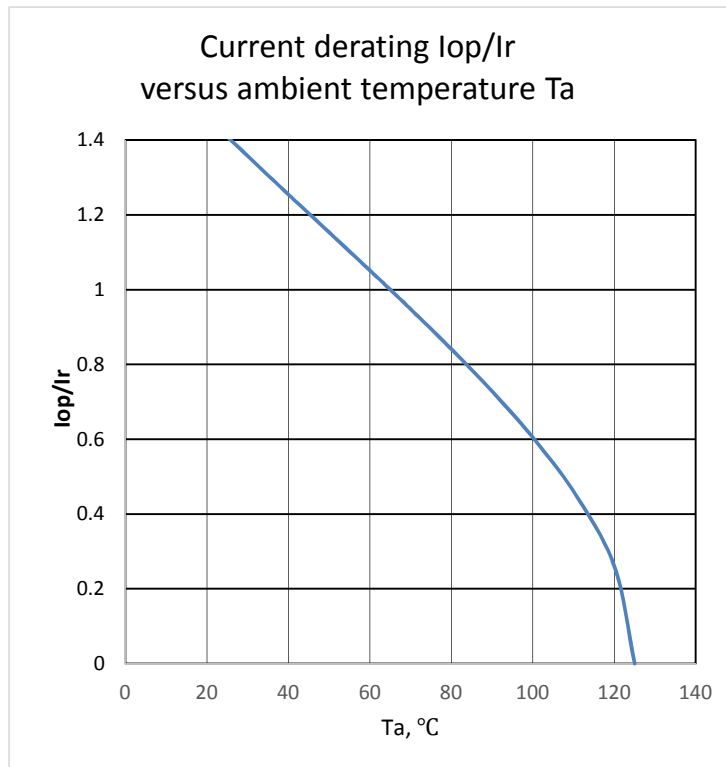
THT Common Mode Chokes

PH9455.XXXNL Series



THT Common Mode Chokes

PH9455.XXXNL Series



For More Information

Pulse Worldwide Headquarters

15255 Innovation Drive Ste 100
San Diego, CA 92128
U.S.A.

Pulse Europe

Pulse Electronics GmbH
Am Rottland 12
58540 Meinerzhagen
Germany

Pulse China Headquarters

Pulse Electronics (ShenZhen) CO., LTD
D708, Shenzhen Academy of
Aerospace Technology,
The 10th Keji South Road,
Nanshan District, Shenzhen,
P.R. China 518057

Pulse North China

Room 2704/2705
Super Ocean Finance Ctr.
2067 Yan An Road West
Shanghai 200336
China

Pulse South Asia

3 Fraser Street
0428 DUO Tower
Singapore 189352

Pulse North Asia

1F., No.111 Xiyuan Rd
Zhongli City
Taoyuan City 32057
Taiwan (R.O.C)

Tel: 858 674 8100
Fax: 858 674 8262

Tel: 49 2354 777 100
Fax: 49 2354 777 168

Tel: 86 755 33966678
Fax: 86 755 33966700

Tel: 86 21 62787060
Fax: 86 2162786973

Tel: 65 6287 8998
Fax: 65 6280 0080

Tel: 886 3 4356768
Fax: 886 3 4356820

Performance warranty of products offered on this data sheet is limited to the parameters specified. Data is subject to change without notice. Other brand and product names mentioned herein may be trademarks or registered trademarks of their respective owners. © Copyright, 2018. Pulse Electronics, Inc. All rights reserved.