

E-Series Surface Mount Mixer

2 - 500 MHz

EMRS-1MH, EMRSL-1MH

V3.00

Features

- LO Power: +13 dBm
- Up to +9 dBm RF
- Surface Mount

Specifications @ 25°C

Frequency Range		
RF		2 - 500 MHz
LO		2 - 500 MHz
IF		DC - 500 MHz
Conversion Loss (dB)		
4 - 250 MHz	Typical	Maximum
2 - 500 MHz	5.7	7.0
	6.0	8.0
Isolation (dB)		
LO to RF	Typical	Minimum
2 - 20 MHz	58	45
20 - 250 MHz	44	25
250 - 500 MHz	30	20
LO to IF		
2 - 20 MHz	55	40
20 - 250 MHz	36	25
250 - 500 MHz	28	17

Operating Characteristics

Impedance	50 Ohms Nominal
RF input for 1dB Compression	+ 9 dBm

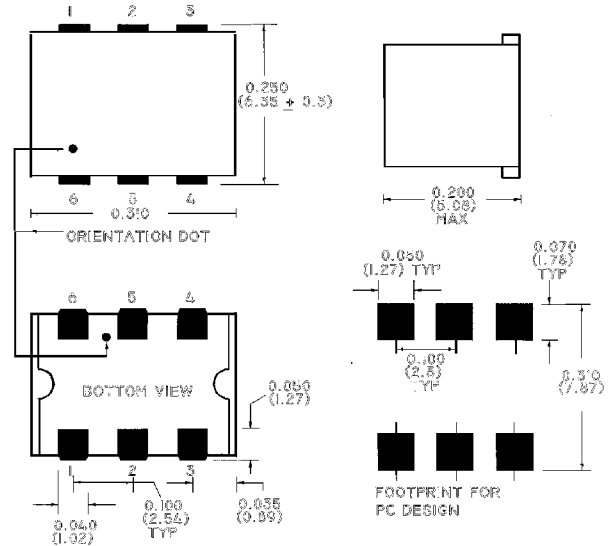
Ordering Information

Part No.	Packaging
EMRS-1MH	SM-1 in Tubes
EMRS-1MHTR	SM-1 in Forward Tape & Reel
EMRSL-1MH	SM-24 in Tubes
EMRSL-1MHTR	SM-24 in Forward Tape & Reel

Absolute Maximum Ratings

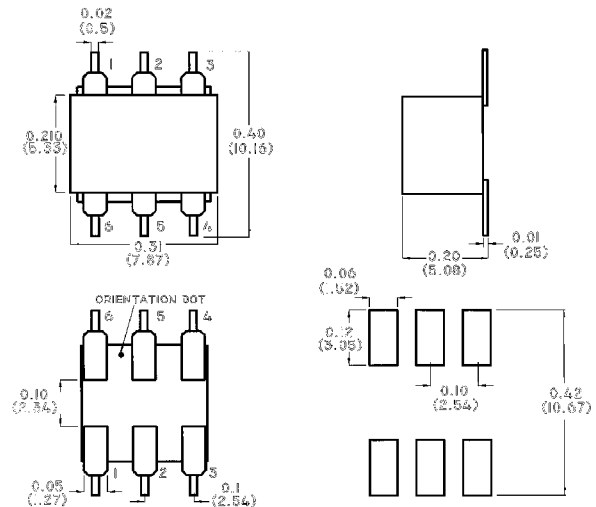
Parameter	Absolute Maximum
RF Power	150 mW
Peak IF Current	40 mA
Storage Temperature	-55°C to 100°C
Operating Temperature	-55°C to 100°C
Pin Temperature (10 Seconds)	260°C

SM-1



Dimensions in () are in mm.
 Unless Otherwise Noted: .x = ±0.04 (1.00)
 .xx = ±0.02 (0.50)
 .xxx = ±0.010 (0.250)

SM-24



Dimensions in () are in mm.
 Unless Otherwise Noted: .x = ±0.04 (1.00)
 .xx = ±0.02 (0.50)
 .xxx = ±0.010 (0.250)

Specifications Subject to Change Without Notice.

S 0065 B, S 0388 C

M/A-COM, Inc.

North America: Tel. (800) 366-2266 ■ Asia/Pacific: Tel. +81 (03) 3226-1671 ■ Europe: Tel. +44 (1344) 869 595
 Fax (800) 618-8883 Fax +81 (03) 3226-1451 Fax +44 (1344) 300 020

Pin Configuration (Typical)

Function	Pin No.
LO	1
RF	4
IF	5
Ground	2, 3, 6

Specifications Subject to Change Without Notice.