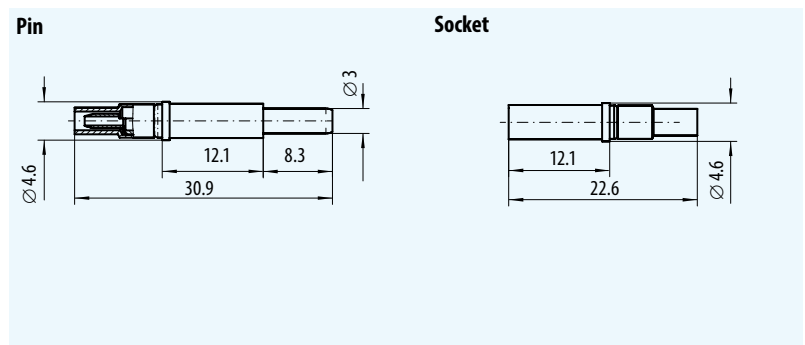
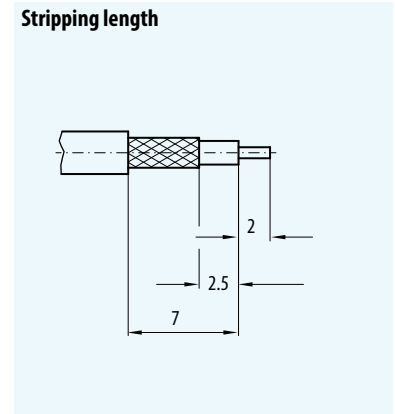
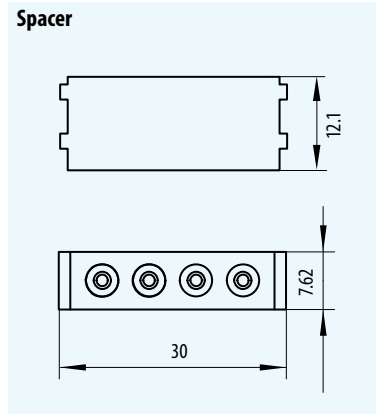
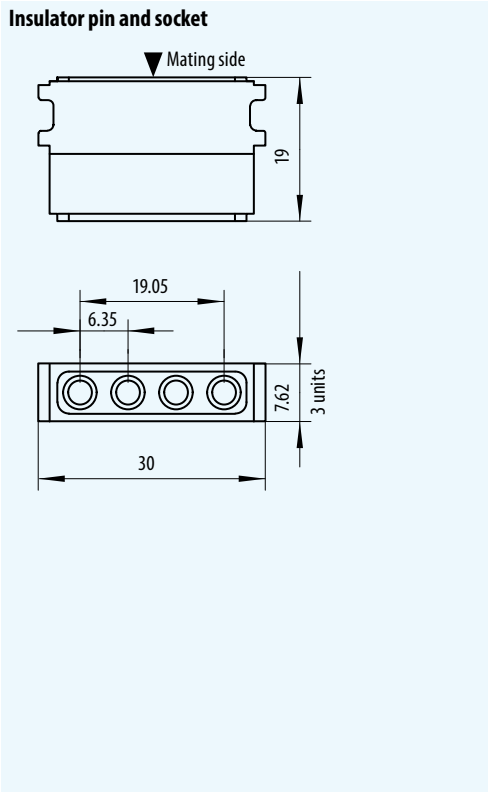


Module 4 positions for 50 Ω coaxial contacts, non-magnetic



Modules

	Part number	Characteristic impedance Ω	Cable ¹⁾	Part number crimp dies
Insulator	611.149.104.923.000			
Spacer	611.126.111.923.000			
Pin contact straight	122.120.001.257.000	50	RG 178 / RG 196	082.000.039.101.000
Pin contact straight	122.120.003.257.000		RG 174 / RG 188 / RG 316 (75 Ω: RG 179, RG 187)	082.000.039.102.000
Pin contact straight	122.120.011.257.000		G02232 (H+S)	082.000.039.103.000
Socket contact straight	122.120.002.257.000	50	RG 178, RG 196	082.000.039.101.000
Socket contact straight	122.120.004.257.000		RG 174 / RG 188 / RG 316 (75 Ω: RG 179, RG 187)	082.000.039.102.000
Socket contact straight	122.120.012.257.000		G 02232 (H+S)	082.000.039.103.000
Crimping tool for shielding sleeve	080.000.039.000.000			

¹⁾ Special lines on request