

Frequency range to 3GHz • Small size Coaxial Connectors

Threaded coupling(1/4-36UNS)

SMA Series Connectors

JAE

SMA series coaxial connectors are small size, with threaded coupling, conforming to the general purpose standards (MIL-C-39012, JEITA RC-5234).

It enables high density packaging inside equipment, as well as compact interconnection between subassemblies and between units.

Applicable frequencies : from DC up to 3 GHz. High performance with a VSWR of 1.2 or less.

- A wide variety of products, panel-mount receptacles, enable diversified mount styles.
- Lightweight, compact in size and rugged construction.
- A high degree of reliability provides stable electric continuity and high frequency performance.
- Products applicable up to about 20 GHz are available. For detail, please consult us.
- For the cable application type, harnessed connectors which satisfy your specification are supplied.

APPLICATIONS

Telecommunications and instrumentation,
Communications Equipment, Measuring Instruments.
Multimedia Equipment.

TYPES & COMBINATIONS

- Click the button.



GENERAL SPECIFICATIONS

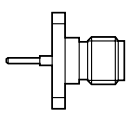
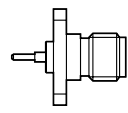
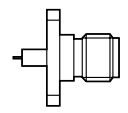
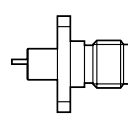
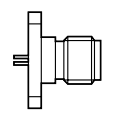
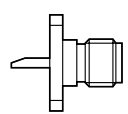
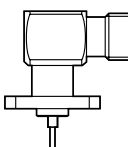
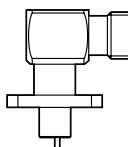
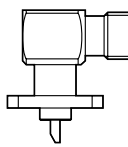
Applicable Frequency Range	DC to 3GHz
Impedance	50 ohms
V.S.W.R.	1.2 max.(DC to 3GHz)
D.W.Voltage	1000 VACr.m.s.
Insulation Resistance	5000 megohms min.(500 VDC)
Contact Resistance	Center Contacts: 4 milliohms max. Outer Contacts: 4 milliohms max.
Applicable Cable	1.5D-2V,1.5D-2W,2.5D-2V

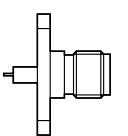
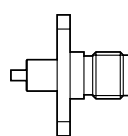
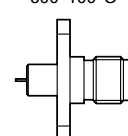
* The products and specifications contained in this catalog are subject to change without notice. When considering use of or placing an order for products included in this catalog, please check first with our sales department.

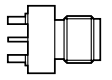
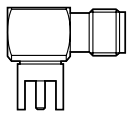
TYPES & COMBINATIONS

RECEPTACLE

- SQUARE FLANGE

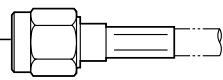
ROUND POST	ROUND POST	ROUND POST
301S	302S	300-118S
		
HALF CUT	SLIT	SOLDER POT
306S	304S	300-60S
		
ROUND POST	HALF CUT	SOLDER POT
307S	305S, 309S, 310S	300-58S
		
- TWO-HOLES

ROUND POST	HALF CUT	TAB
300-110S	303S	300-11S, 300-25S 300-100-S
		
- PCB DIRECT(ROUND POST)

STRAIGHT	RIGHT ANGLE
SMA-RP5-F-0	300-126S
	

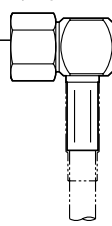
STRAIGHT PLUG

P/N:SMA-PL2-M-15D*
P/N:SMA-PL2-M-25DV

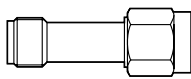
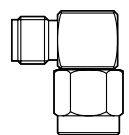
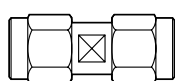
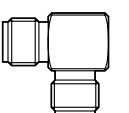
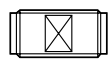
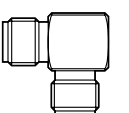


RIGHT ANGLE PLUG

P/N:SMA-RPL-M-15D*
P/N:SMA-RPL-M-25DV

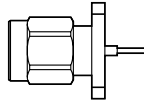
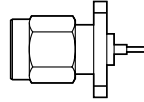
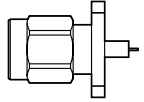
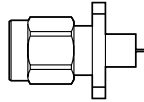
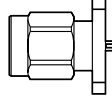
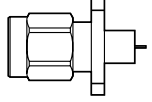
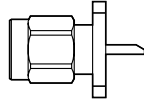
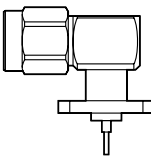
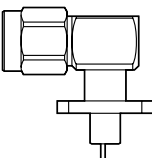


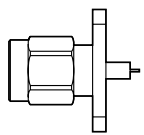
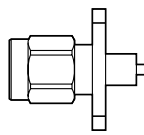
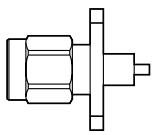
ADAPTOR(SMA-SMA)

FEMALE-MALE		
MALE-MALE		
FEMALE-FEMALE		

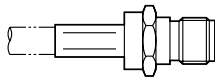
PLUG RECEPTACLE

- SQUARE FLANGE

ROUND POST	ROUND POST	ROUND POST
401S	402S	400-42S
		
HALF CUT	SLIT	TAB
406S	404S	400-41S
		
SOLDER POT	ROUND POST	HALF CUT
400-36S1	407S	405S
		
- TWO-HOLES

ROUND POST	HALF CUT	TAB
400-43S	403S	400-12S
		

CABLE JACK



P/N:SMA-JC-F-15D*
P/N:SMA-JC1-F-25DV

■ :TARMINAL STYLE