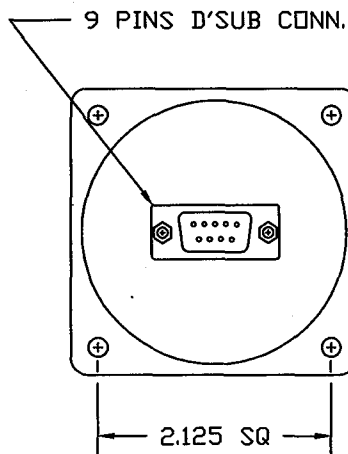
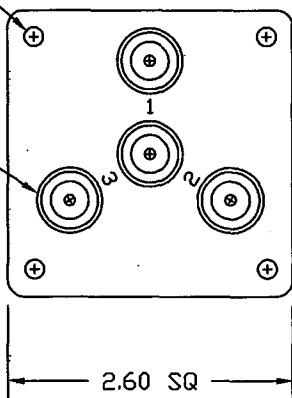


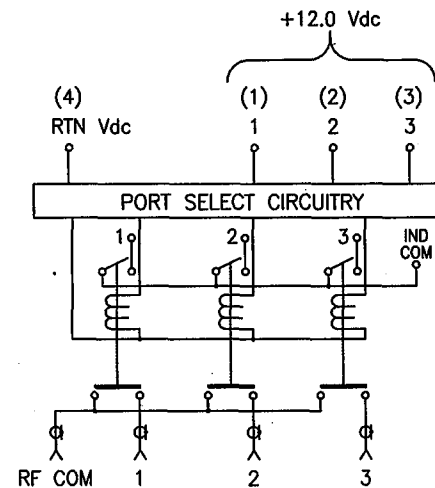
CONN TYPE 'N' (FEMALE)
MIL-C-39012, 4 PLACES

.172 DIA THRU
4 MTG. HOLES

3 CONN.
LOCATED ON
1.760 DIA B.C



9 PINS D'SUB CONNECTOR	
PIN	DESIGNATION
1	+12.0 Vdc (POS 1)
2	+12.0 Vdc (POS 2)
3	+12.0 Vdc (POS 3)
4	Vdc RTN
5	SPARE
6	INDICATOR POS 1
7	INDICATOR POS 2
8	INDICATOR POS 3
9	INDICATOR COM



UNLESS OTHERWISE SPECIFIED	
DIMENSION ARE IN INCHES TOLERANCE ON	
DEC. .XX ± .03 .XXX ± .010	
FRACTIONS ± 1/64 ANGLES ± 1/2°	
DIMENSIONS BEFORE PLATING	
APPROVALS	DATE
DRAWN C.G.D	6/23/15
ENGR KEITH C.	6/23/15
QA	

CHARTER ENGINEERING INC.

COAXIAL, RF-SWITCH

SIZE B	DWG.No. U3T-312500/P	REV N/C
SCALE N/A	CAGE CODE 1SWEB	SHEET 1 OF 1