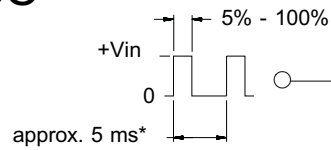
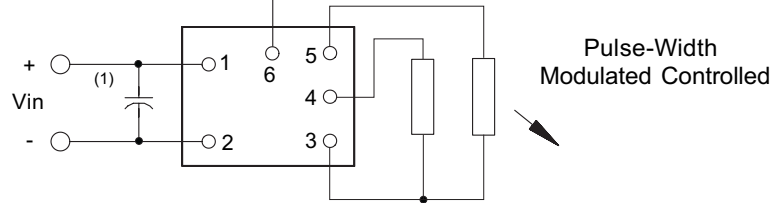


E2465C

3 Dimming Options

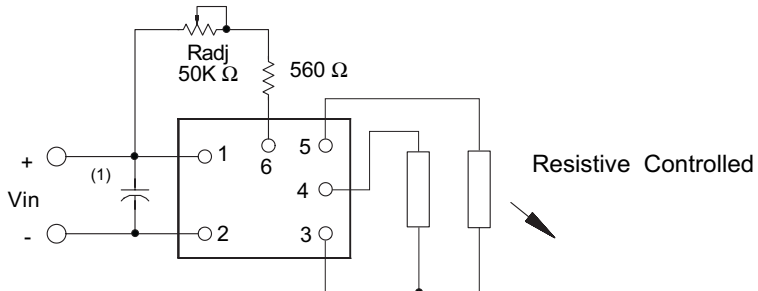


* should be selected to be compatible with LCD and display driver



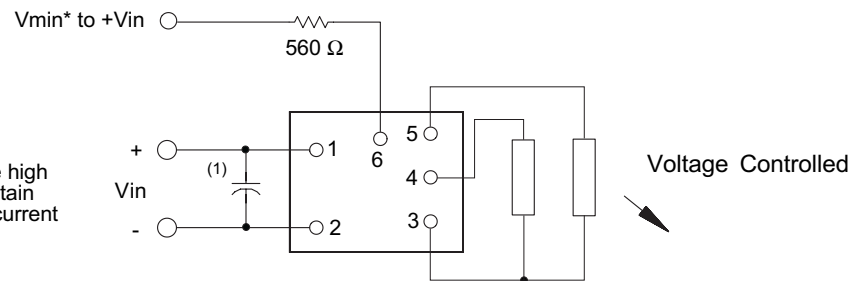
Pulse-Width Modulated Controlled

* value should be low enough to maintain minimum tube current at minimum brightness



Resistive Controlled

* Vmin should be high enough to maintain minimum tube current



Voltage Controlled

Note 1 Input bypass capacitor (10uf - 100uf) may be required to reduce reflected ripple.



Endicott Research Group, Inc.

2601 Wayne St., Endicott NY 13760

607-754-9187

Made in U.S.A.



Endicott Research Group, Inc.

2601 Wayne St., Endicott NY 13760

607-754-9187 Fax 607-754-9255

<http://www.ergpower.com>

Specifications and Applications Information

10/26/00

Preliminary

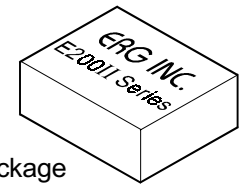
The E2465C (E200II Series) dc to ac inverter is specifically designed to power the Toshiba LTM10C209H/273H LCD display to a moderate brightness level from a +12 volt dc source.

The E2465C's small size and encapsulated package makes it the ideal power source for applications where small size, high efficiency and reliability are critical.

This inverter is designed to satisfy the most common cold-cathode lighting requirements for the Toshiba LTM10C209H/273H LCD display. Custom units, providing different inputs, outputs or package refinements are available.

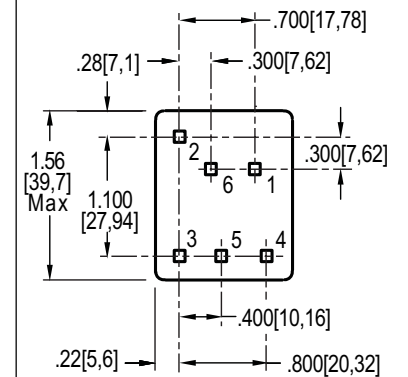
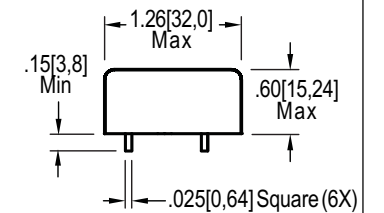
E2465C

Two Tube DC to AC Inverter



E200II Package

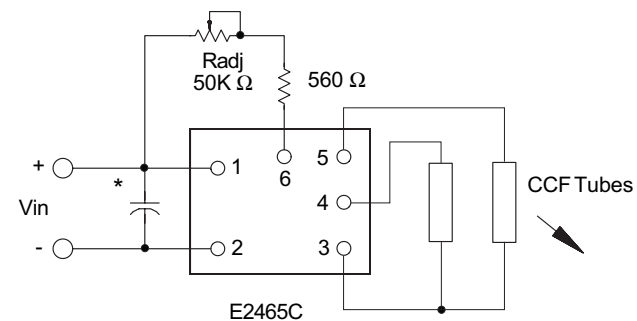
Package Configuration



- 1. Vin(+)
- 2. Vin(-)
- 3. Common
- 4. Vout(AC)
- 5. Vout(AC)
- 6. Control



Connection Diagram



* Input bypass capacitor may be required (10uf - 100uf)

E2465C

Absolute Maximum Ratings

Rating	Symbol	Value	Units
Input Voltage Range	V _{in}	-0.3 to +13.2	Vdc
Operating Temperature	T _o	-20 to +70	°C
Storage Temperature	T _{stg}	-40 to +85	°C

Recommended Operating Conditions

Rating	Symbol	Value	Units
Input Voltage	V _{in}	+6 to 13.2	Vdc

Electrical Characteristics

Unless otherwise noted V_{in} = 12.00 Volts dc and T_a = 25 °C

Characteristic	Symbol	Min	Typ	Max	Units
Input Current	I _{in}	-	.65	.76	Adc
Operating Frequency	F _o	24	29	34	KHz
Minimum Output Voltage	V _{out} (min)	1500	-	-	Vrms
Efficiency	η	-	85	-	%
Output Current	I _{out}	-	6	-	marms
Output Voltage (When Powering a load simulating the referenced display)	V _{out}	-	550	-	Vrms
Pin6 Input Current Requirement	-	-	20	-	madc

After tube has been allowed to warm-up for 5 minutes
External Disable Circuit shown on page 3.

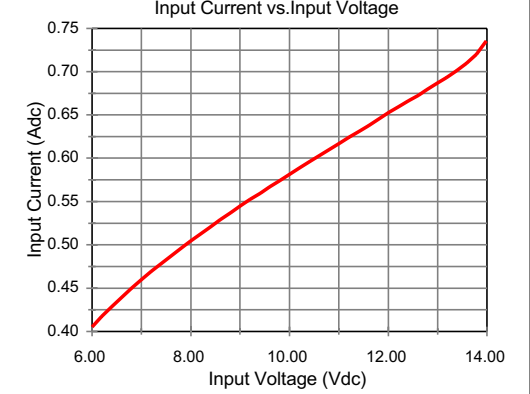
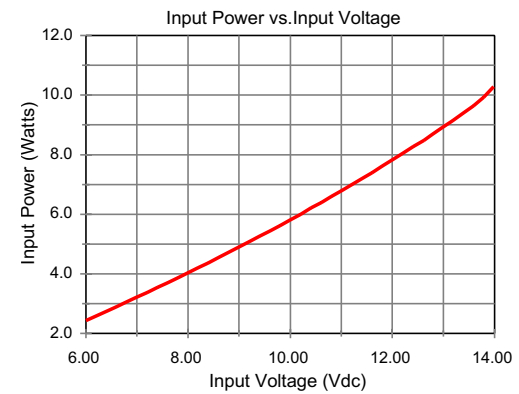
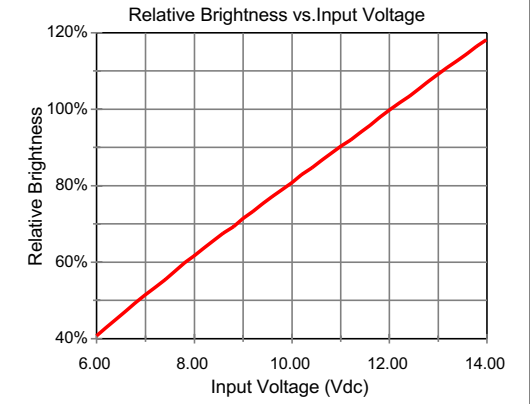
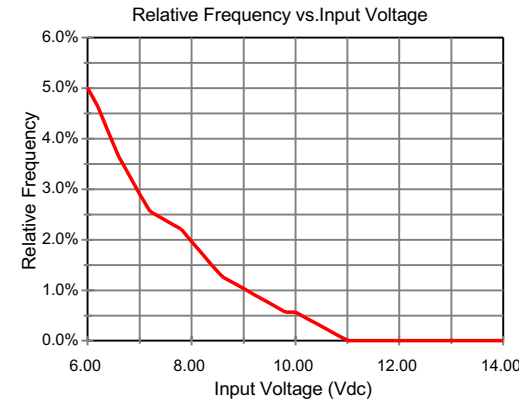
Specifications subject to change without notice.



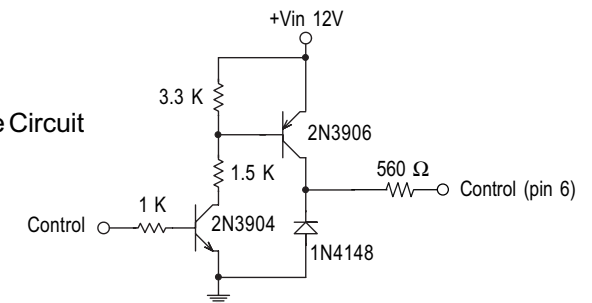
Endicott Research Group, Inc.

Typical Performance Curves

E2465C



Disable Circuit



Endicott Research Group, Inc.