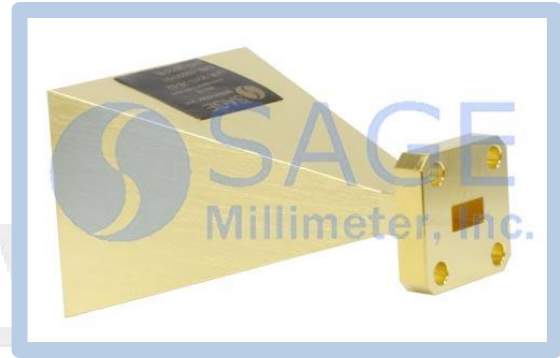




## WR-28 Pyramidal Horn Antenna, 20 dBi Gain

### Description:

**Model SAR-2013-28-S2** is a Ka-band pyramidal horn antenna that operates from 26.5 GHz to 40 GHz. The antenna offers 20 dBi nominal gain and a typical half power beamwidth of 14 degrees on the E-plane and 16 degrees on the H-plane. The antenna supports linear polarized waveforms. The input of this antenna is a WR-28 waveguide with UG-599/U flange.



### Features:

- Rectangular Waveguide Interface
- Precisely Machined and Gold Plated
- Linear Polarization
- High Return Loss

### Applications:

- Antenna Ranges
- Antenna Gain Measurements
- System Setups

### Electrical Specifications:

Parameter	Minimum	Typical	Maximum
Frequency	26.5 GHz		40 GHz
Gain	18.5 dBi	20 dBi	21 dBi
Polarization	Linear		
3 dB Beamwidth, E-Plane		14°	
3 dB Beamwidth, H-Plane		16°	
Sidelobes, E-Plane		-14 dB	
Sidelobes, H-Plane		-30 dB	
Return Loss		23 dB	

### Mechanical Specifications:

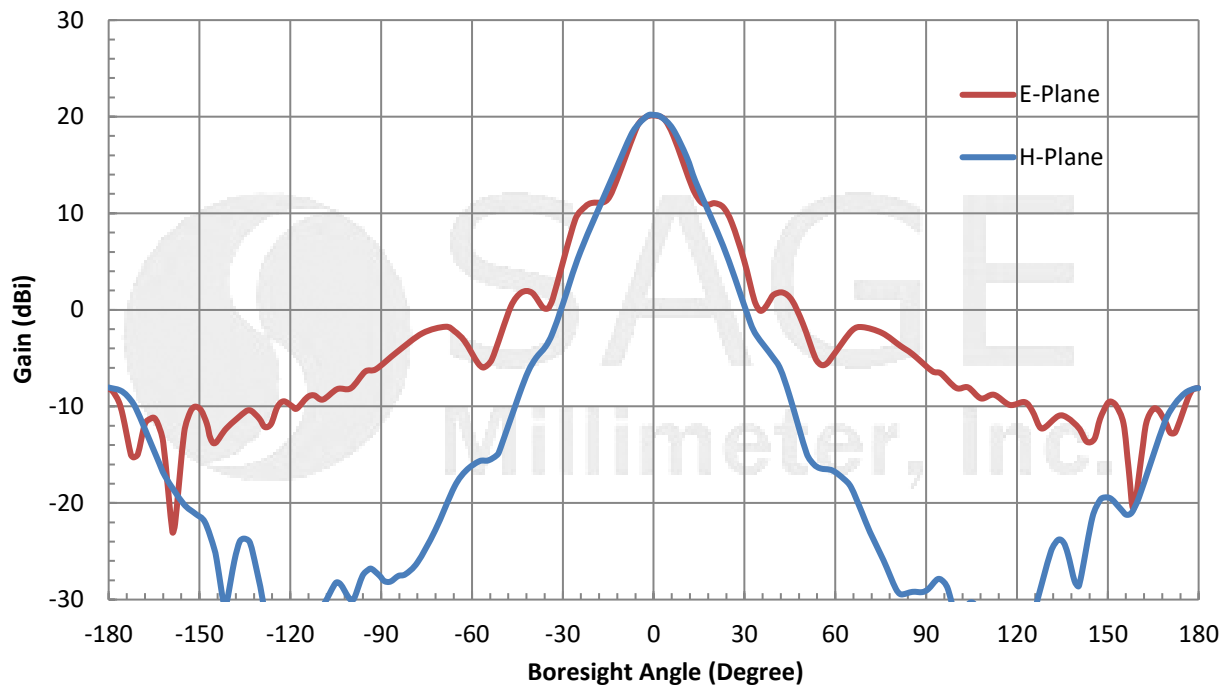
Item	Specification
Antenna Port	WR-28 Waveguide
Flange Type	UG-599/U Flange
Size	2.30" (L) X 1.67" (W) X 1.32" (H)
Material	Aluminum
Finish	Gold Plated
Weight	0.6 Oz
Outline	AR-A1



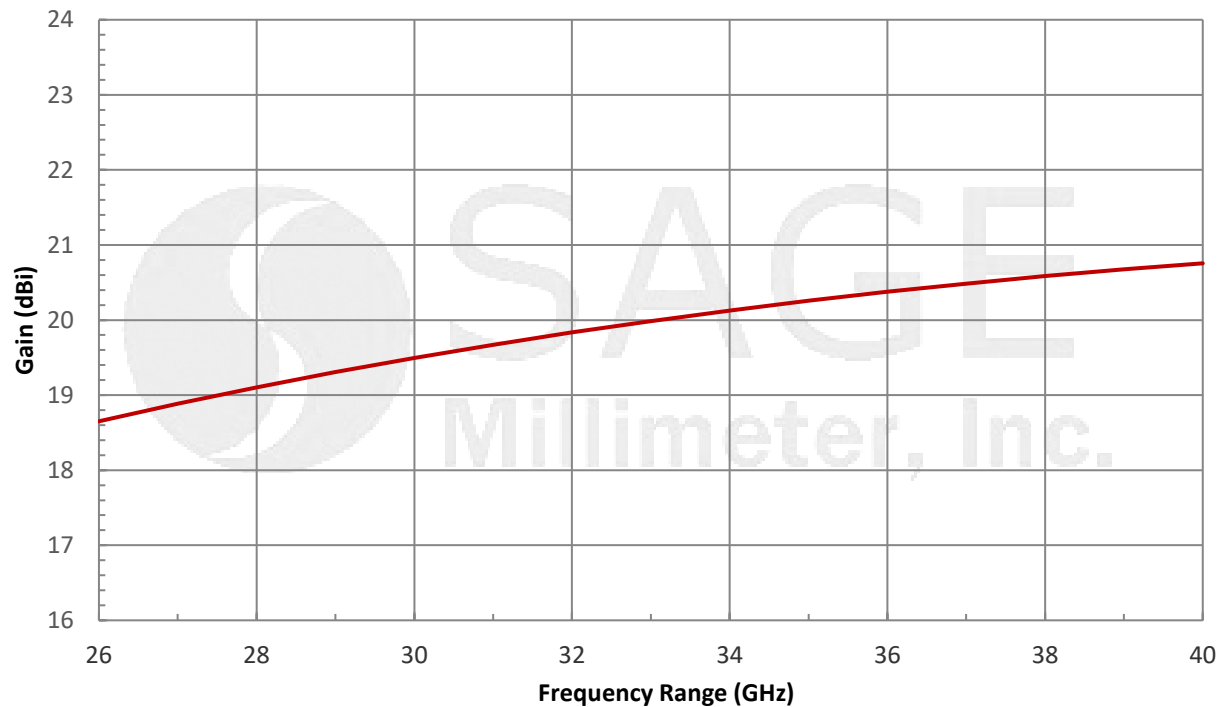


## WR-28 Pyramidal Horn Antenna, 20 dBi Gain

### Typical Antenna Pattern @ 33.25 GHz

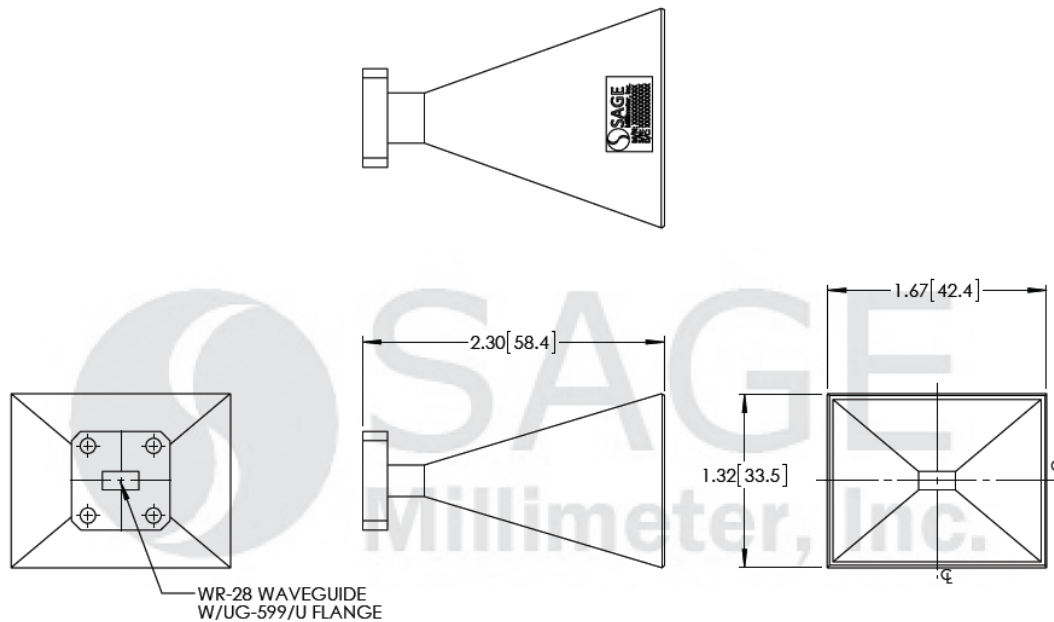


### Typical Gain vs. Frequency



## WR-28 Pyramidal Horn Antenna, 20 dBi Gain

**Mechanical Outline:** (Unless otherwise specified, all dimensions are in inches [millimeters])



**Note:**

- All data presented are simulated. Actual data may vary unit to unit.
- SAGE Millimeter, Inc. reserves the right to change the information presented without notice.

**Caution:**

- Any foreign objects in the waveguide will cause performance degradation and possible device damage.

