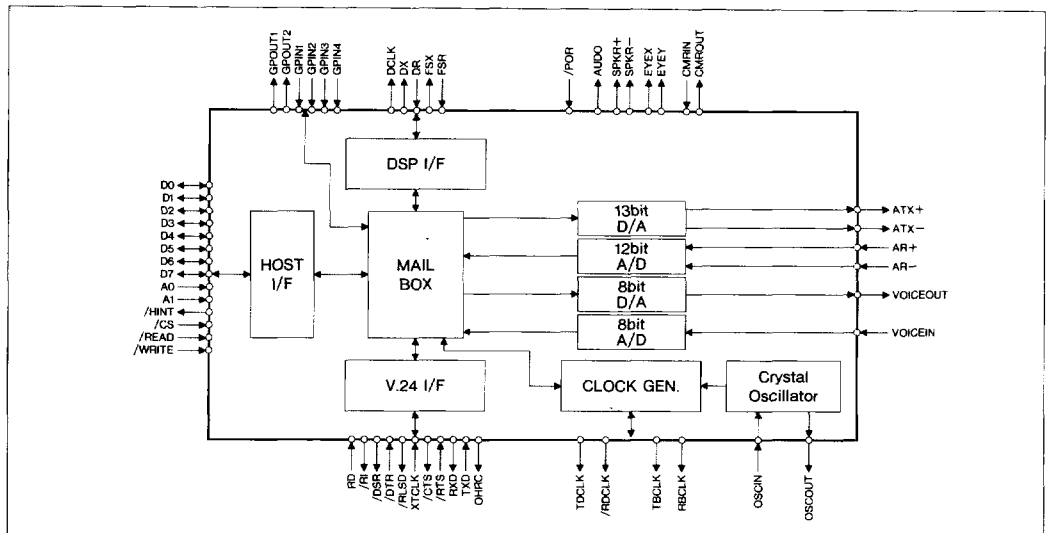


DATA/FAX MODEM ICs

AK2812

Analog Front End for V.32bis/V.17

- ① Data Modem Support:
ITU-T V.32bis, V.32, V.23, V.22bis, V.22, V.21 (14400~300bps)
Industry Standard V.32terbo (19200bps)
- ② Fax Modem Support:
ITU-T V.33, V.17, V.29, V.27ter (14400~4800bps)
- ③ Speaker Amp.
- ④ Voice CODEC
- ⑤ D/A converters for constellation pattern display
- ⑥ V.24 Interface
- ⑦ Analog block power down
- ⑧ +5V single power source
- ⑨ Package: 64 pin LQFP (10×10×1.4mm)

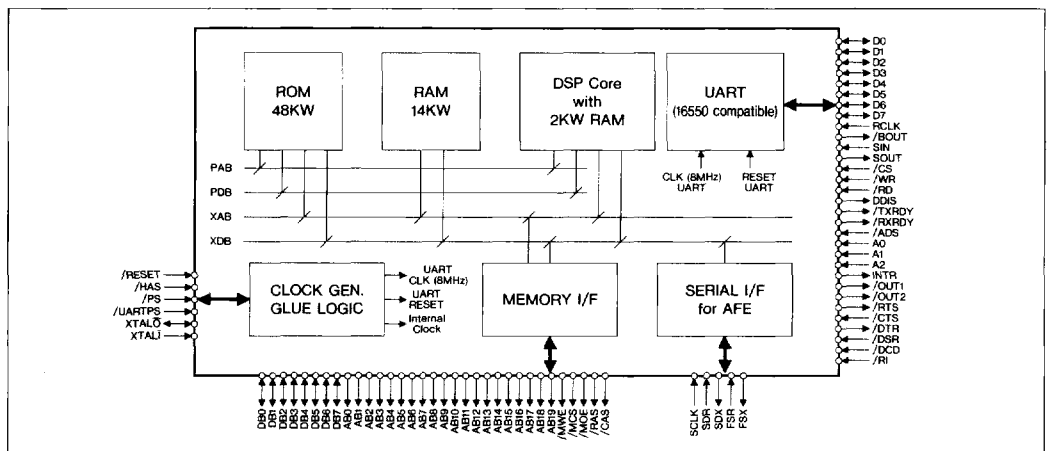


AK2812 BLOCK DIAGRAM

AK2815

Modem Data Pump for V.32bis/V.17

- ① Data Modem Support:
ITU-T V.32bis, V.32, V.23, V.22bis, V.22, V.21 (14400~300bps)
Industry standard V.32terbo (19200bps)
- ② Fax Modem Support:
ITU-T V.33, V.17, V.29, V.27ter (14400~4800bps)
· V.42/V.42bis Error correction/Data compression
· MNP2~4/5 Error correction/Data compression
- ③ High performance DSP with Firmware (on-chip)
- ④ External Memory I/F for Receive data store
- ⑤ UART (16550 compatible)
- ⑥ DTMF Gen./Rec.
- ⑦ Power down mode
- ⑧ +5V single power source
- ⑨ Package: 100 pin LQFP (14×14×1.6mm)



AK2815 BLOCK DIAGRAM