

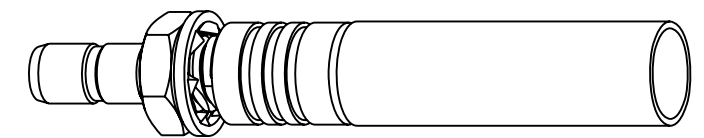
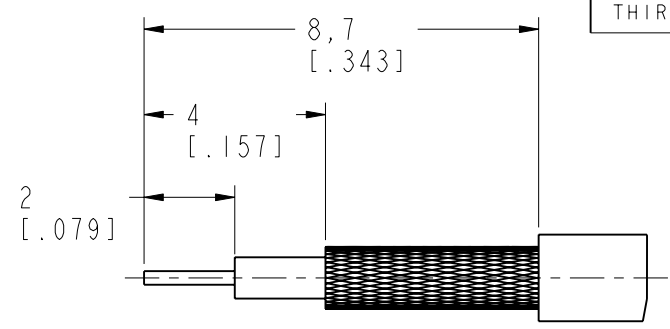
NOTES:

1. MATERIALS AND FINISHES:
 BODY - BRASS, GOLD PLATING
 CONTACT - BRASS, GOLD PLATING
 INSULATOR - PTFE, NATURAL
2. ELECTRICAL:
 A. IMPEDANCE: 50 OHM
 B. FREQUENCY RANGE: DC - 3 GHz
 C. DIELECTRIC WITHSTANDING VOLTAGE: 750 VRMS
3. MECHANICAL:
 A. DURABILITY: 500 CYCLES MIN.
 B. TEMPERATURE RANGE: -65° C TO +165° C
4. CRIMPED FERRULE
 HEX CRIMP SIZE .128"
5. CONTACT PIN
 SQ. CRIMP SIZE 0.7mm

THIRD ANGLE PROJ.

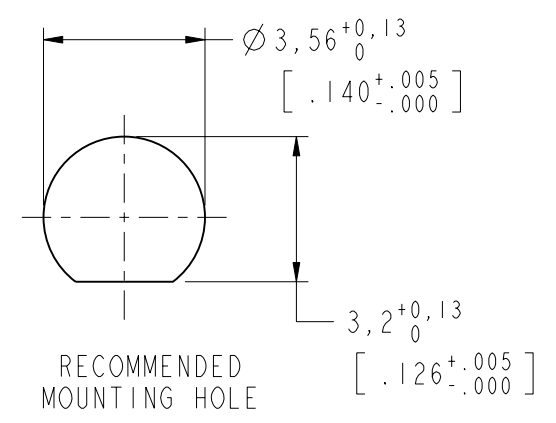
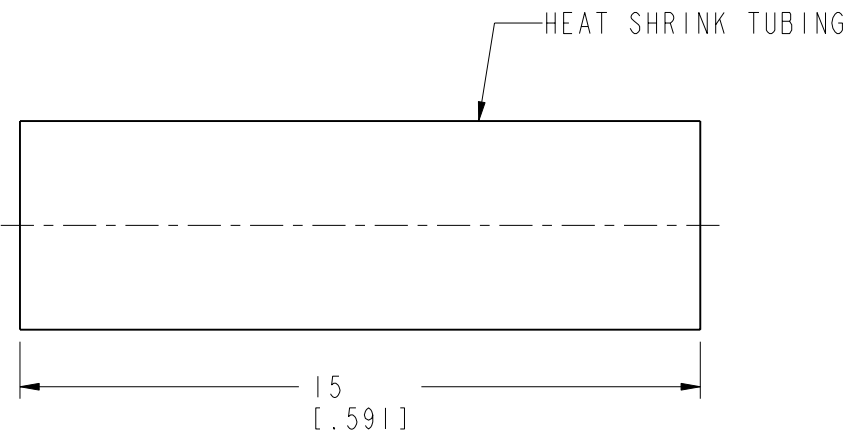
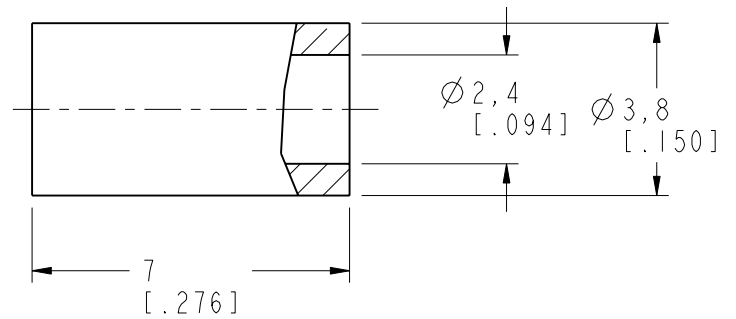
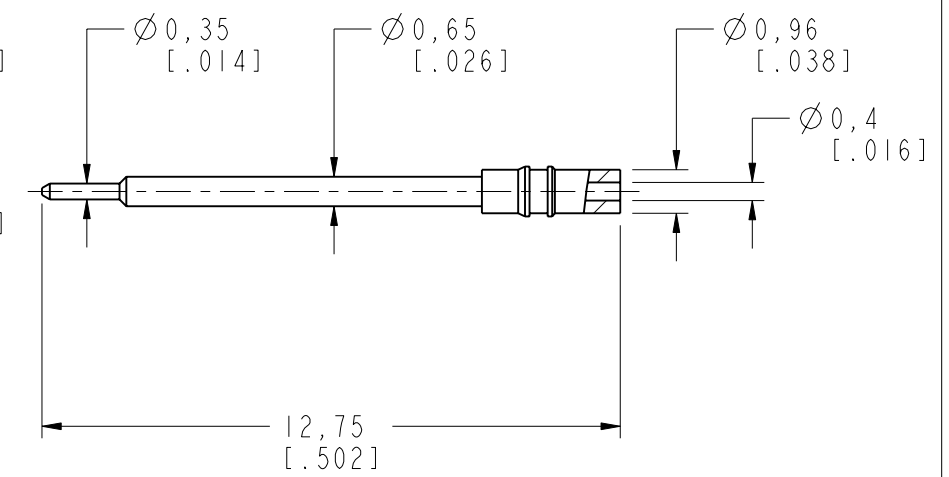
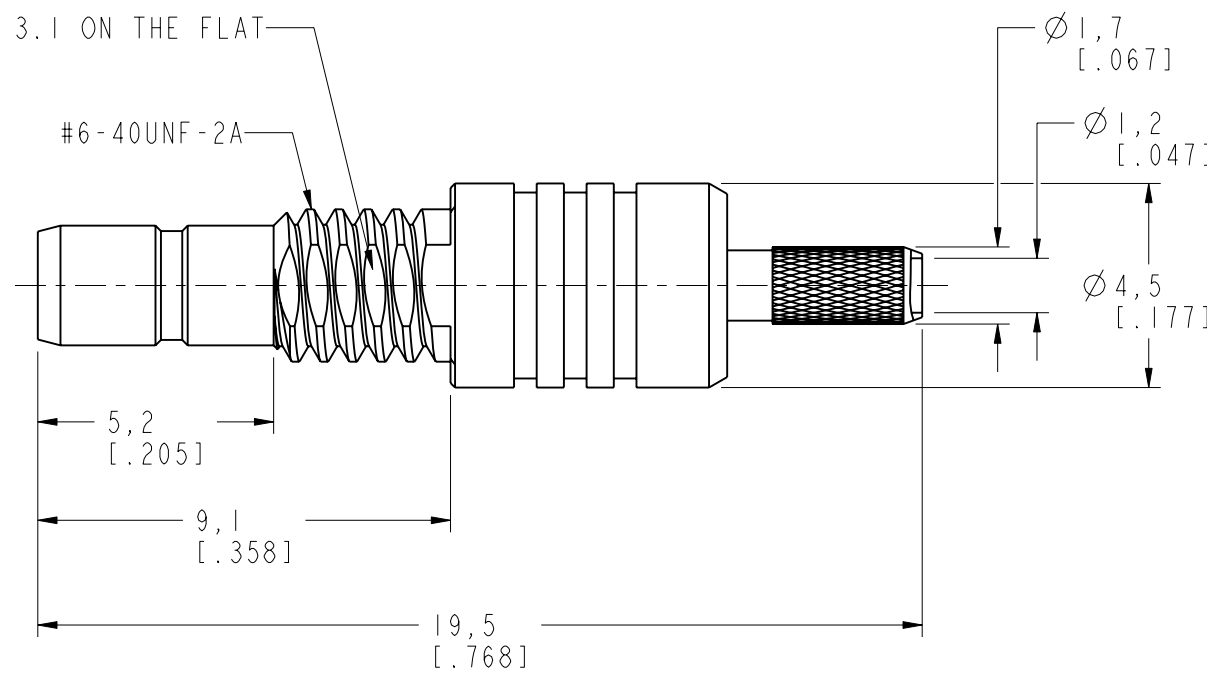
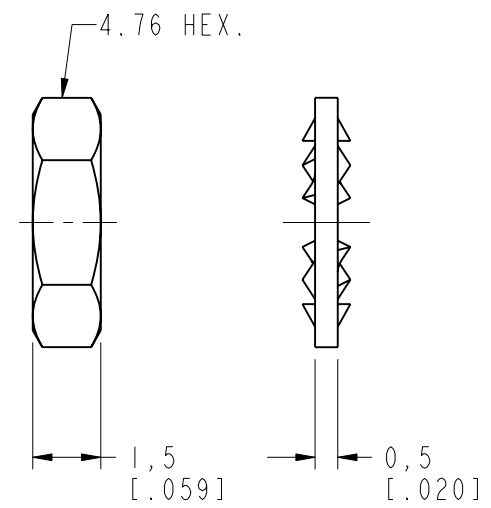
REVISIONS

REV	DESCRIPTION	DATE	ECO	APPR
A	RELEASE TO MFG.	30-Apr-09		MZ
B	LOCK WASHER WAS CHANGED\RD-DMI2010901F	2-Mar-12	48832	SH



SCALE 3.000

RECOMMENDED
CABLE STRIPPING DIM'S



CUSTOMER OUTLINE DRAWING
ALL OTHER SHEETS ARE FOR INTERNAL USE ONLY

UNLESS OTHERWISE SPECIFIED, DIMENSIONS ARE IN METRIC AND TOLERANCES ARE: 0.5 - 6mm ±0.1mm 6 - 30mm ±0.2mm 30 - 120mm ±0.3mm ANGLES ±1°	MATERIAL	DRAWN R. MAO	DATE 20-Feb-12	TITLE SSMB BULKHEAD CRIMP JACK (FOR RG-178B/U, 196A/U)			Amphenol RF Danbury CT USA, Tainan, Taiwan, Shenzhen, China www.amphenolrf.com		
	REFERENCE AND CONFIGURATION LEVEL:	ENGINEER C. WANG	DATE 30-Apr-09						
NOTICE - These drawings, specifications, or other data (1) are, and remain the property of Amphenol corp. (2) must be returned upon request; and (3) are confidential and not to be disclosed to any person other than those to whom they are given by Amphenol Corp. the furnishing of these drawings, specifications, or other data by Amphenol Corp., or to any other person to anyone for any purpose is not to be regarded by implication or otherwise in any manner licensing, granting rights to permitting such holder or any other person to manufacture, use or sell any product, process or design, patented or otherwise, that may in any way be related to or disclosed by said drawings, specifications, or other data.	FINISH	APPROVED S. HSIEH	DATE 20-Feb-12	SCALE: 6.0:1.0	SHEET 2 OF 2	ITEM NO. 151421AAA16GE5F	PART NO. 904-116J-51SX		
		CAD FILE	I:\SSMB\SSMB1421A1-3GT30G-196AU-50		DWG SIZE B	CODE ID 74868	REV B		