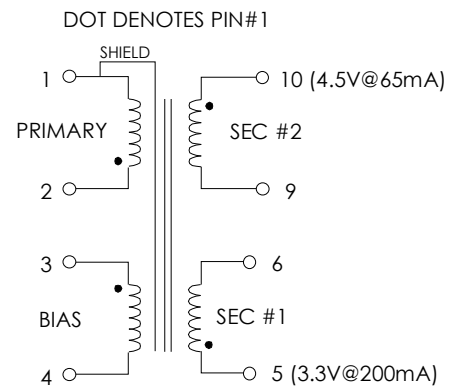


TABLE 1: ELECTRICAL SPECIFICATIONS AT 25 °C

PARAMETER	SPEC LIMITS			UNITS
	MIN.	TYP.	MAX.	
PRIMARY INDUCTANCE (2-1) VOLTAGE = 0.250Vrms FREQUENCY = 65 KHZ	900	1000	1100	μHY
TURNS RATIO'S: SEC (10-9) : PRI (2-1) SEC (5-6) : PRI (2-1) BIAS (3-4) : PRI (2-1)	-----	1:12.86 1:18.0 1:4.5	-----	± 4% ± 4% ± 4%
LEAKAGE INDUCTANCE (2-1) VOLTAGE = 0.250Vrms FREQUENCY = 100 KHZ TIE ALL OTHER PINS	-----	-----	30	μHY
HIPOT: PRIMARY TO SECONDARY BIAS TO SECONDARY	1500 1500	----- -----	----- -----	VRMS VRMS

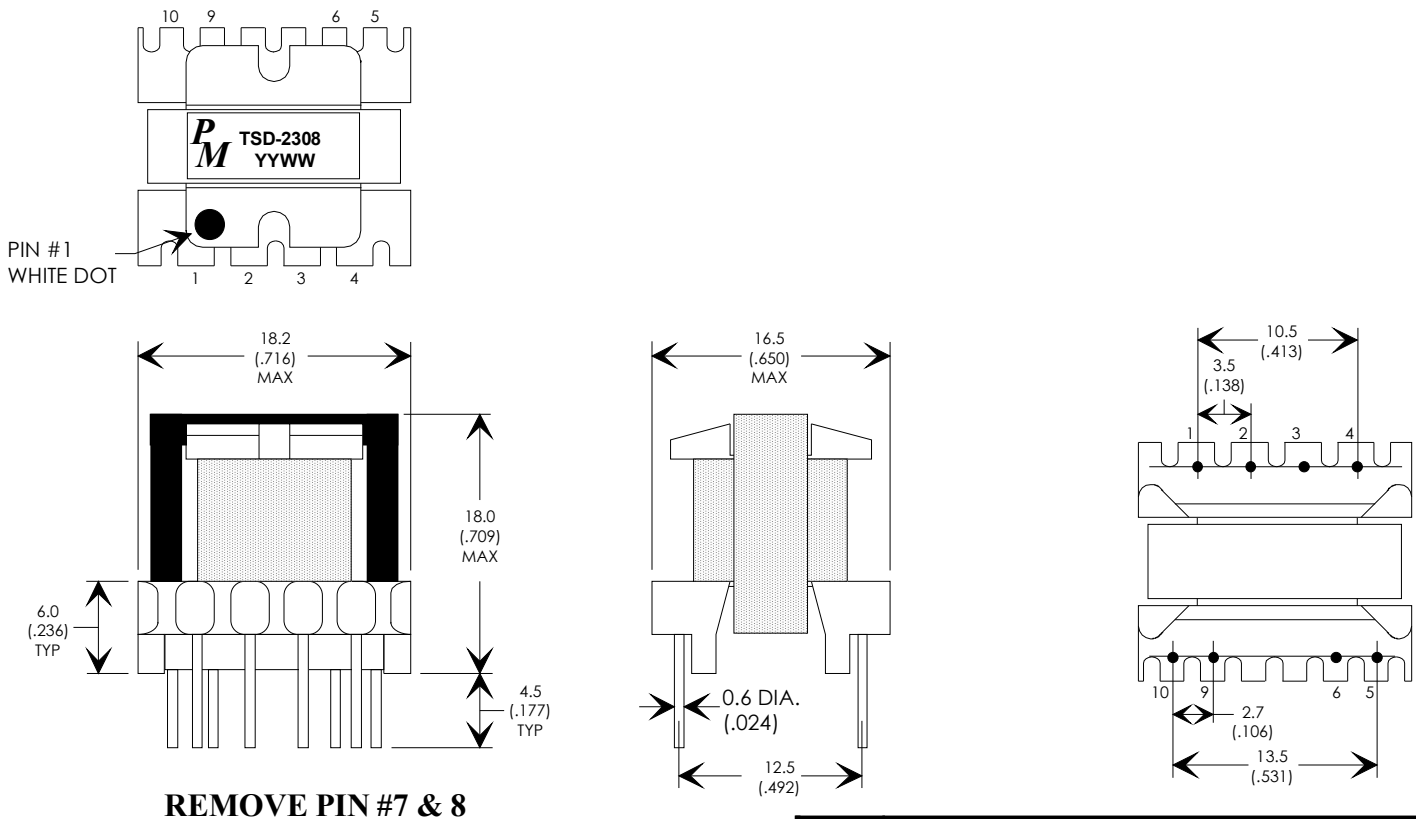
FIGURE 1: SCHEMATIC DIAGRAM



NOTE:

- A) ALL MATERIALS MEET "UL", "CSA" & "IEC" REQUIREMENTS
- B) ALL MATERIAL RATE 130C OR BETTER.
- C) VARNISH FINISHED ASSEMBLY.

FIGURE 2: PHYSICAL DIMENSIONS mm (INCHES)



REV.	DESCRIPTION OF CHANGES	BY
01/08/07	ORIGINAL RELEASE	FP
01/24/07	UPDATED RELEASE	LL



UNLESS OTHERWISE SPECIFIED
DIMENSIONS ARE IN MM
DIMENSIONAL TOLERANCES ARE:
DECIMALS ANGLES
X ± .25 ±0° 30'
XX ± .15
DO NOT SCALE DRAWING

TRANSFORMER CONTROL DRAWING	
PREMIER P/N: TSD-2308	REVISION: 01/24/07
DRAWN BY: PETER PHAM	REF: FSD210B
SCALE: NONE	SHEET: 1 OF 1