

REV. Status

PRELIMINARY  
12/22/00 LL

PRELIMINARY 1  
CHANGED  
SCHEMATIC.  
01/05/01 LL

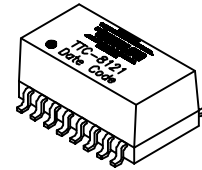


# 10 Base-T AUI Interface Module 16 pin SOIC

MODEL NUMBER

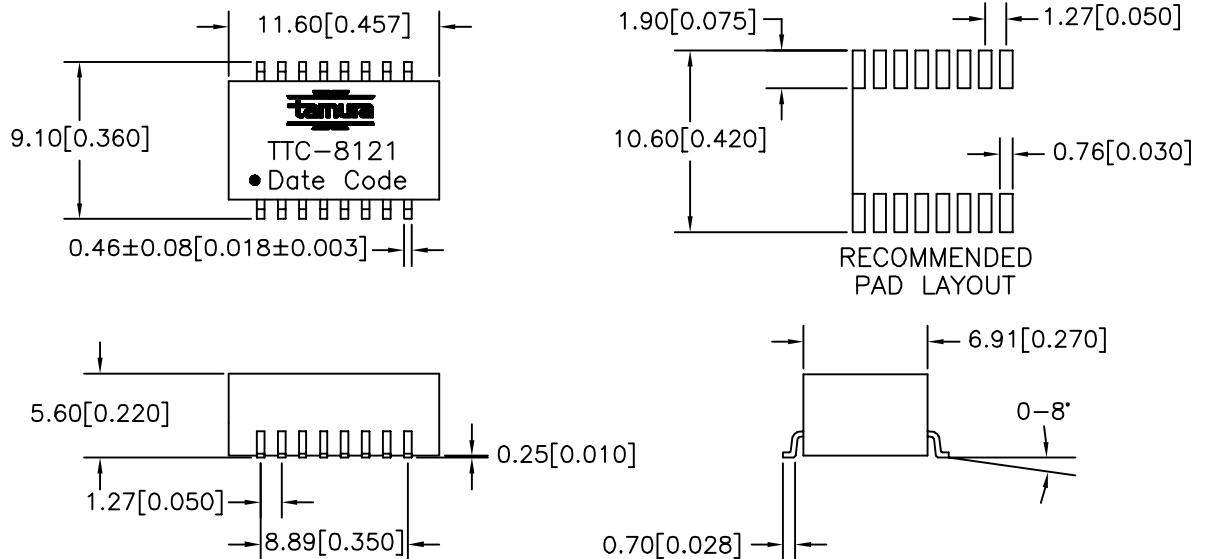
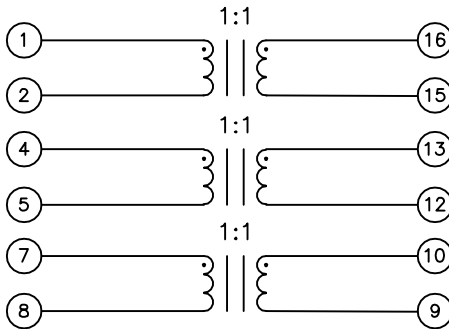
TTC-8121

- Complies with IEEE 802.3 Standard
- Surface Mount Device withstands IR reflow profile process
- Operating temperature: 0°C to 70°C
- Enhanced Common Mode Attenuation



Electrical Specification @ 25°C					
Rise Time (nS TYP)	OCL (μH)±20%	Leakage Inductance (μH MAX)	C <sub>ww</sub> (pF MAX)	DCR (SL TYP)	Hipot (Vrms)
	100KHz, 0.2V	100KHz	100KHz		1 minute
1.8	100	0.2	10	0.2	1500

RY  
R  
A  
Z  
N  
N  
L  
E  
R  
R



NOTE: Unless otherwise specified, all dimensions are mm[in] with tolerance of ±0.25[0.010]

PREPARED BY:

D. Rund

ENGINEER:

L. Le

QUALITY CONTROL:

D. Kelley

APPROVED:

J. Coleman

DWG CONTROL NO. REV 10/100 Base-X LAN Magnetic Module  
P-A1-12701 PR1 Single Port, 16 pin SOIC  
ACAD\TTC\A1127011.DWG

CONTENTS OF THIS DRAWING ARE SUBJECT TO CHANGE WITHOUT PRIOR NOTICE  
**TAMURA CORPORATION OF AMERICA**  
43352 BUSINESS PARK DRIVE, TEMECULA, CA. 92590-6624  
(909) 699-1270 FAX 9096769482

TTC-8121

MODEL SPECIFICATION

DIM: mm(In) SCL: none SH: 1 OF 1

PROPRIETARY NOTICE: THIS DRAWING PRINT OR DOCUMENT AND SUBJECT MATTER DISCLOSED HEREIN ARE PROPRIETARY ITEMS TO WHICH TAMURA RETAINS THE EXCLUSIVE RIGHT OF DISSEMINATION, REPRODUCTION, MANUFACTURE AND SALE. THIS DRAWING, PRINT OR DOCUMENT IS SUBMITTED IN CONFIDENCE FOR CONSIDERATION BY THE RECIPIENT ALONE UNLESS PERMISSION FOR FURTHER DISCLOSURE IS EXPRESSLY GRANTED IN WRITING.