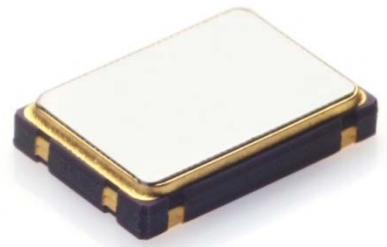


CERAMIC SMD TYPE

18 kHz to 20 kHz (SCO-10)

- 18.000 kHz to 20.000 kHz in 0.1 kHz steps
- High Stability with AT-Cut crystal
- External Dimensions : 7.0 × 5.0 mm
- 1.8 V to 3.3 V Operating Supply Voltage Range
- CMOS Output
- Tri-state Function Available



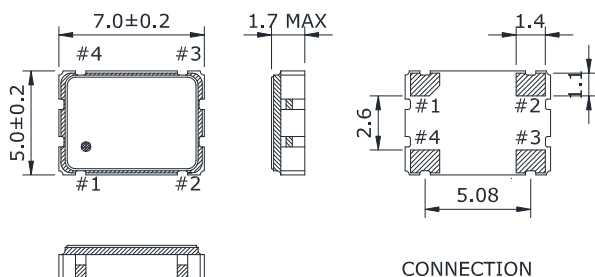
■ ELECTRICAL SPECIFICATIONS

ITEM	Value	Remarks
Output Logic Type	CMOS	CMOS XO
Frequency Range*	18.000 kHz to 20.000 kHz	
Supply Voltage(V _{DD})	1.8 V _{DC} ±5 %, 2.5 V _{DC} ±5 %, 3.3 V _{DC} ±5 %	
Operating Temperature Range	0 to +70 °C, -20 to +70 °C, -40 to +85 °C	
Storage Temperature Range	-55 to +125 °C	
Frequency Stability	±20 ppm, ±25 ppm, ±50 ppm, ±100 ppm Max.	Over operating temperature range
Input Current	5 mA Max.	
Output Voltage Logic High(V _{OH})	90 % of V _{DD} Min.	
Output Voltage Logic Low(V _{OL})	10 % of V _{DD} Max.	
Rise / Fall Time	100 ns Max.	Measured over 10 % to 90 % of waveform
Duty Cycle	45 to 55 %, 40 to 60 %	Measured at 50 % of waveform
Start-up Time	10 ms Max.	
Output Load Condition(CMOS)	15 pF Max.	
Output Enable Function (V _{IH} and V _{IL})	70 % of V _{DD} Min. to Enable Output 30 % of V _{DD} Max. to Disable Output	High Impedance
Frequency Aging	±5 ppm Max.	25°C, First year

* Please contact us about developed standard frequencies

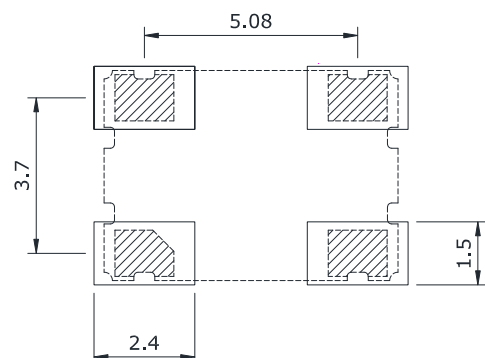
■ MECHANICAL DIMENSIONS (mm)

■ LAND PATTERN (mm)



CONNECTION
#1 : Tri-state
#2 : GND
#3 : OUTPUT
#4: V_{DD}

<Top View>



PART NUMBERING GUIDE

SCO - 10 33 50 B D S R - 20.000K

SUPPLY VOLTAGE(V_{DD})
 33 : 3.3 V, 25 : 2.5 V
 18 : 1.8 V

FREQUENCY STABILITY
 20 : ±20 ppm, 25 : ±25 ppm
 50 : ±50 ppm, BLANK : ±100 ppm

OPERATING TEMPERATURE RANGE
 A : -40 to 85 °C, B : -20 to 70 °C
 BLANK : 0 to 70 °C

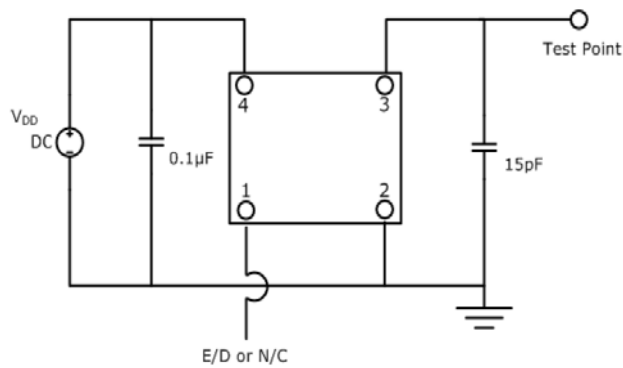
DUTY CYCLE
 D : 45/55, E : 40/60

FREQUENCY
 K : kHz

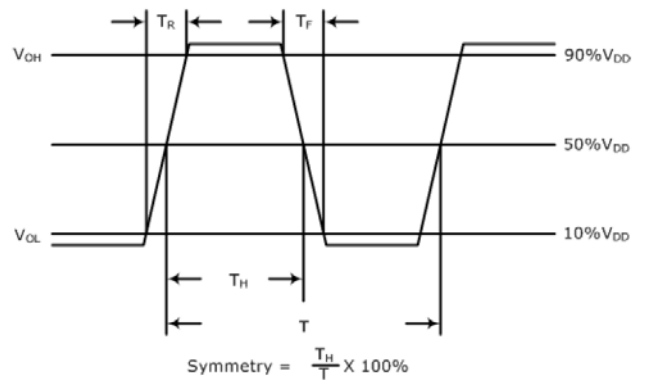
PACKAGE OPTION
 R : TAPE AND REEL
 BLANK : BULK

PIN 1 CONNECTION
 S : TRI-STATE, E/D
 BLANK : NO CONNECTION

TEST CIRCUIT (CMOS)



WAVEFORM (CMOS)

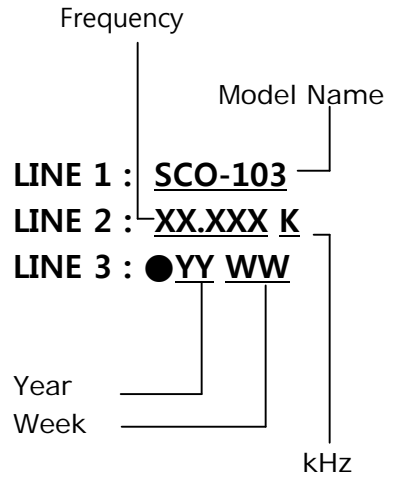
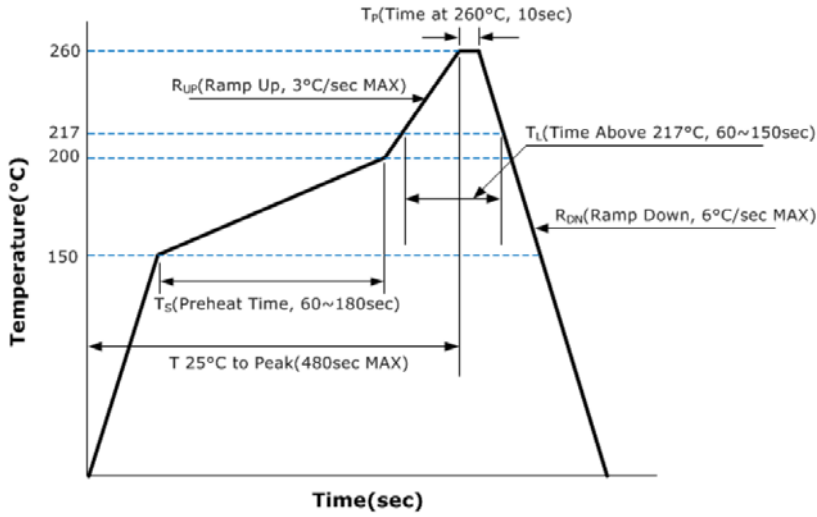


ENVIRONMENTAL & MECHANICAL SPECIFICATIONS

Temperature Cycling	MIL-STD-883, Method 1010, Condition B
Fine Leak Test	MIL-STD-883, Method 1014, Condition A
Gross Leak Test	MIL-STD-883, Method 1014, Condition C
Mechanical Shock	MIL-STD-883, Method 2002, Condition B
Vibration	MIL-STD-883, Method 2007, Condition A
Moisture Resistance	MIL-STD-883, Method 1004
Moisture Sensitivity	J-STD-020, MSL 1
Resistance to Soldering Heat	MIL-STD-202, Method 210, Condition K
Solderability	MIL-STD-883, Method 2003

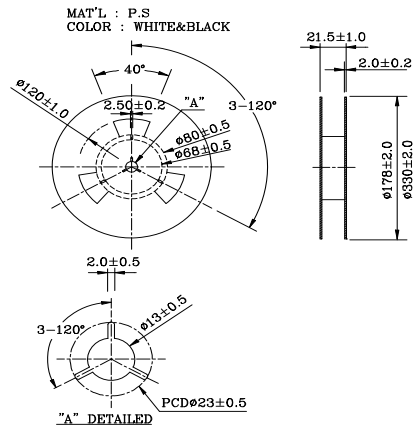
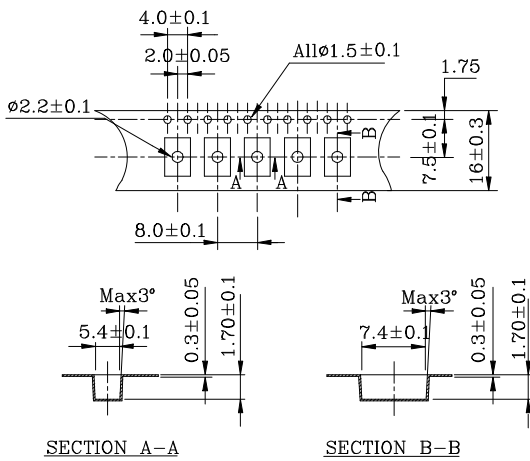
REFLOW PROFILE

MARKING GUIDE



TAPE AND REEL DIMENSIONS

MAT'L : P.S
 COLOR : WHITE&BLACK
 REFERENCE R=0.2



NOTE
 1. COVER TAPE : 13~14mm(WIDTH)X0.06mm(t) MAT'L : PET
 2. COLOR : NONTRANSPARENT