

## FEATURES

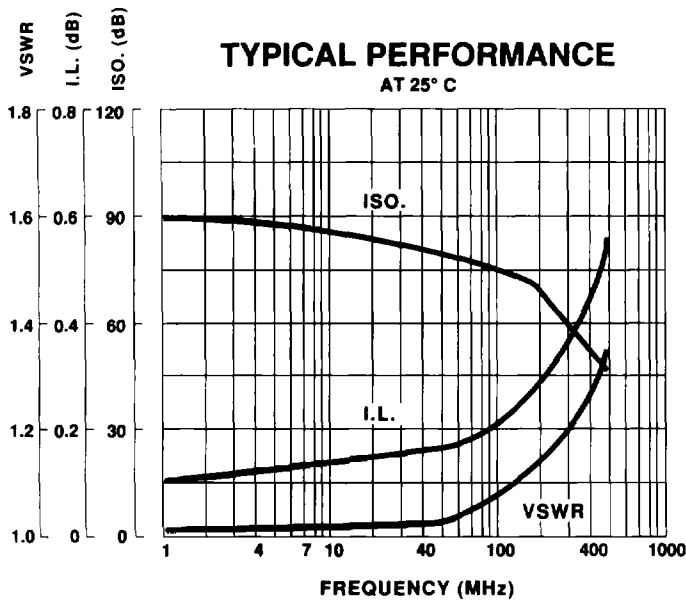
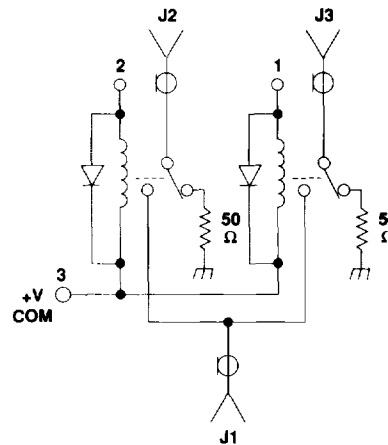
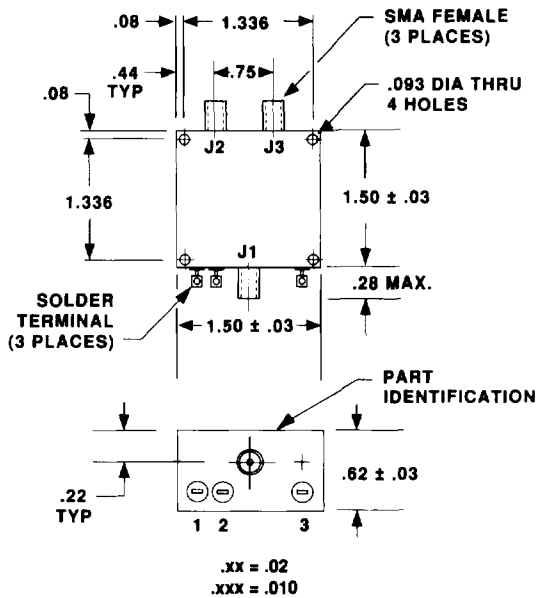
- DC - 450 MHz
- 50Ω or 75Ω Terminations
- 20 Watts CW
- SMA Connectors
- Diode Suppression of Switching Transients

**SP2T**



**MODEL NO.  
100C0611**

## SP2T RELAY



### GUARANTEED PERFORMANCE

PARAMETER	MIN	TYP	MAX	UNITS	CONDITIONS
OPERATING FREQUENCY	DC		450	MHz	
DC VOLTAGE					SEE TABLE
INSERTION LOSS		0.3 0.5	0.35 0.60	dB	DC - 250 MHz 250 - 450 MHz
ISOLATION	55 45	62 52		dB	DC - 250 MHz 250 - 450 MHz
VSWR:	THRU	1.15/1 1.3/1	1.2/1 1.4/1		DC - 250 MHz 250 - 450 MHz
IMPEDANCE		50		OHMS	
SWITCHING SPEED			5	mSEC	
RF POWER:	OPERATE		20	W	CW
OPERATING TEMPERATURE	-55	+25	+85	°C	TA

CONTROL VOLTAGE TABLE	
VOLTAGE	CURRENT - TYPICAL
6	65 mA PER THROW
12	32 mA PER THROW
18	21 mA PER THROW
26	17 mA PER THROW

**PART NO. EXAMPLE - SEE TABLE**  
100C0611 - 6 - F/S - R - 75

Basic Part Number: 100C0611  
 Dash No. for coil voltage (see table): 6  
 "F/S" for failsafe J1 to J2 omit for standard: F/S  
 Add for 75Ω termination. Omit for 50Ω termination: R  
 For reverse polarity of diodes. Omit for standard. See schematic for standard: 75