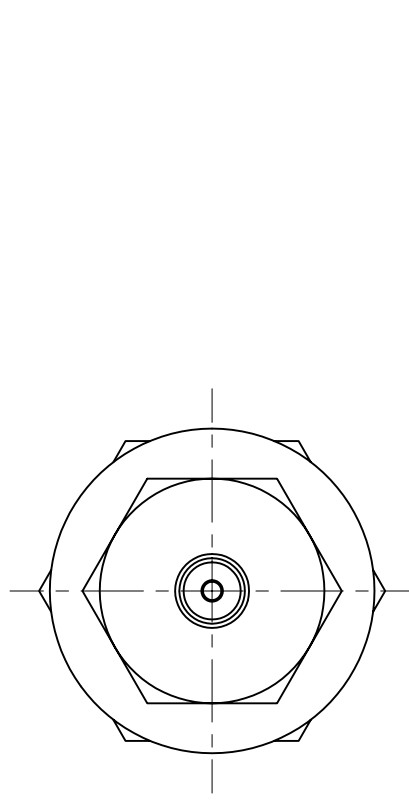
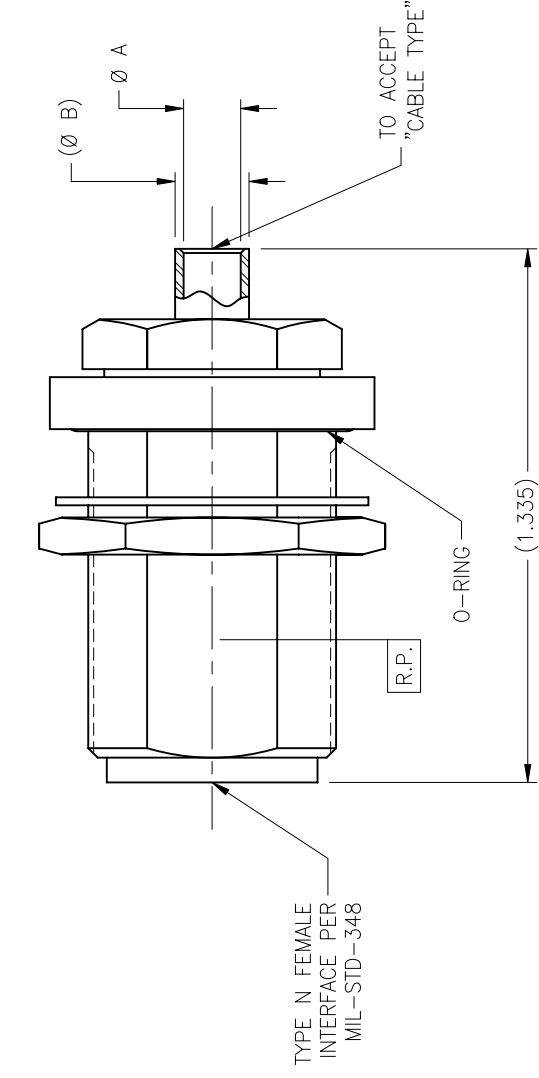


P/N	APPLICABLE NOTE(S)	Ø A	(Ø B)	CABLE TYPE
-1	1,2	.143 MIN	.185	Ø .141 S/R
-1SF	1,2	.143 MIN	.185	Ø .141 S/R
-2	1,2	.088 MIN	.185	Ø .085 S/R
-2SF	1,2	.088 MIN	.185	Ø .085 S/R
-3	1,2	.143 MIN	.185	Ø .141 MICROPOROUS
-3SF	1,2	.143 MIN	.185	Ø .141 MICROPOROUS
-4	1,2,3	.253 MIN	.340	Ø .250 S/R
-4SF	1,2,3	.253 MIN	.340	Ø .250 S/R



DRAWING NO. 8011

- NOTES(S):
- MATERIAL(S):
 - BODY, LOCKNUT & CABLE INSERT: 303 SST PER ASTM A-582.
 - CENTER CONDUCTOR: BeCu ALLOY C173 PER ASTM B-196.
 - INSULATOR: PTFE PER ASTM D-1710.
 - GASKET: SILICONE RUBBER PER ZZ-R-765.
 - O-RING: SILICONE S613-60 or S604-70.
 - LOCKWASHER: 410 SST PER ASTM B-139.
 - FINISH(ES):
 - BODY & LOCKNUT: (FOR SF's) PASSIVATED PER ASTM A-967. (FOR OTHER'S) GOLD PLATE PER ASTM B-488 OVER NICKEL PLATE PER AMS-QQ-N-290.
 - CABLE INSERT & CENTER CONDUCTOR: GOLD PLATE PER ASTM B-488 OVER NICKEL PLATE PER AMS-QQ-N-290.
 - INSULATOR, GASKET, O-RING & LOCKWASHER: NONE

NOTICE
 THIS DRAWING IS THE PROPERTY OF TENSOLITE, INC. AND IS NOT TO BE REPRODUCED, COPIED, OR TRANSMITTED IN ANY FORM OR BY ANY MEANS, ELECTRONIC OR MECHANICAL, INCLUDING PHOTOCOPYING, RECORDING, OR BY ANY INFORMATION STORAGE AND RETRIEVAL SYSTEM, WITHOUT THE WRITTEN PERMISSION OF TENSOLITE, INC. ALL RIGHTS ARE RESERVED BY TENSOLITE COMPANY, LONG BEACH, CALIFORNIA 90815.

TOLERANCES AND NOTES UNLESS OTHERWISE NOTED		SEE NOTES	SEE NOTES	SEE NOTES
DIMENSIONS ARE IN INCHES		MATERIAL	SIZE	PROCUREMENT
LINEAR .XX ±.015 ANGULAR ± 1/2 FRACTION ± 1/32		APPROVAL INITIALS	DATE	HIGH PERFORMANCE CABLES & INTERCONNECT SYSTEMS Long Beach, California 90815
1. MACHINE FINISH ✓/R/S		DRAWN BY	R.C.	04.08.02
2. BREAK ALL SHARP EDGES .003 MAX.		CHECKED		
3. MACHINED FILLETS .005 MAX.		QUALITY		
4. MACHINED SURFACES SQUARE TO RESPECTIVE AXIS WITHIN .005 INCHES PER INCH		ENGINEERING	ATV	10.31.02
5. .002 T.I.R. UNLESS SPECIFIED OTHERWISE		SCALE	4/1	SHEET 1 of 1
6. DIMENSIONS TO BE TAKEN TO DIMENSION LINES		CAGE CODE	C 30990	DRAWING NO. 8011
7. CHAMFER TO BREAK SHARP EDGES		SIZE		
8. THREADS PER H-28				
9. REMOVE ALL BURRS				
10. REMOVE ALL BURRS				

RECOMMENDED MOUNTING HOLE

REVISIONS		DATE	BY
ZONE	REV		