

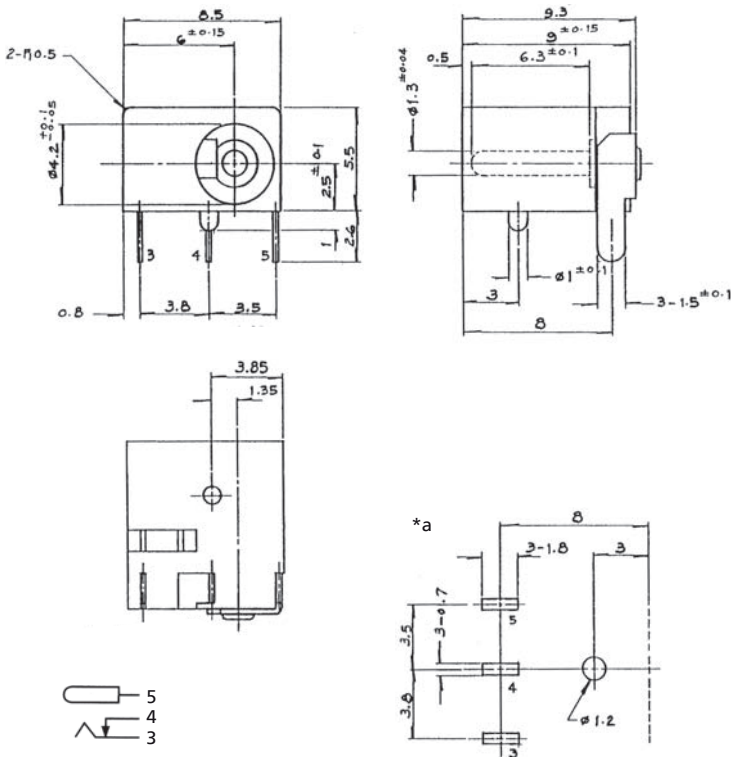
16

1613 12

Power supply connectors



Power supply chassis socket, angular version, with break contact, for printed circuit boards



\*a printed circuit board layout, components side view

#### Environmental conditions

Temperature range -20 °C/+70 °C

#### Materials

Insulating body PC, V-0 according to UL94  
 Contact spring Cu alloy, silver-plated  
 Contact pin CuZn, nickel-plated

#### Mechanical data

Diameter opening 4,2 mm  
 Diameter center pin 1,3 mm  
 Mating cycles  $\geq 5000$   
 Insertion force 5-11 N  
 Withdrawal force 3,5-7,5 N

#### Electrical data (at $T_{amb}$ 20 °C)

Contact resistance  $\leq 30$  m $\Omega$   
 Rated current 0,5 A  
 Rated voltage 6 V DC  
 Rated impulse voltage 250 V/60 s  
 Insulation resistance  $\geq 100$  M $\Omega$

#### Associated products

Counterparts  
 ↗ 1631 01      ↗ NES/J 135

16

1613 12

Designation	Pole Number	PU (Pieces)	MDQ (Pieces)
1613 12	2	250	500

**Packaging:**

in bulk, in a cardboard box or a plastic bag