



Raychem

TE Internal #: 846125-000

High Speed Digital & Data Cable, Cheminax, 120 Ω, 20AWG Wire Size, Operating Temperature Range -65 – 200 °C [-85 – 392 °F]

[View on TE.com >](#)

Wire & Cable > High Speed Digital & Data Cable



High Speed Digital & Data Cable Type: **Cheminax**

Impedance: **120 Ω**

Wire Size: **20 AWG**

Operating Temperature Range: **-65 – 200 °C [-85 – 392 °F]**

## Features

### Product Type Features

|                                      |          |
|--------------------------------------|----------|
| High Speed Digital & Data Cable Type | Cheminax |
|--------------------------------------|----------|

### Electrical Characteristics

|           |       |
|-----------|-------|
| Impedance | 120 Ω |
|-----------|-------|

### Dimensions

|           |        |
|-----------|--------|
| Wire Size | 20 AWG |
|-----------|--------|

### Usage Conditions

|                             |                            |
|-----------------------------|----------------------------|
| Operating Temperature Range | -65 – 200 °C[-85 – 392 °F] |
|-----------------------------|----------------------------|

## Product Compliance

[For compliance documentation, visit the product page on TE.com>](#)

|   |   |
|---|---|
| EU RoHS Directive 2011/65/EU                  | Compliant   |
| EU ELV Directive 2000/53/EC                   | Not Yet Reviewed  |
| China RoHS 2 Directive MIIT Order No 32, 2016 | No Restricted Materials Above Threshold   |
| EU REACH Regulation (EC) No. 1907/2006        | Current ECHA Candidate List: JUN 2020 (209)<br>Candidate List Declared Against: JAN 2019 (197)<br>Does not contain REACH SVHC |
| Halogen Content                               | Out of Scope - excluded from Halogen requirements   |



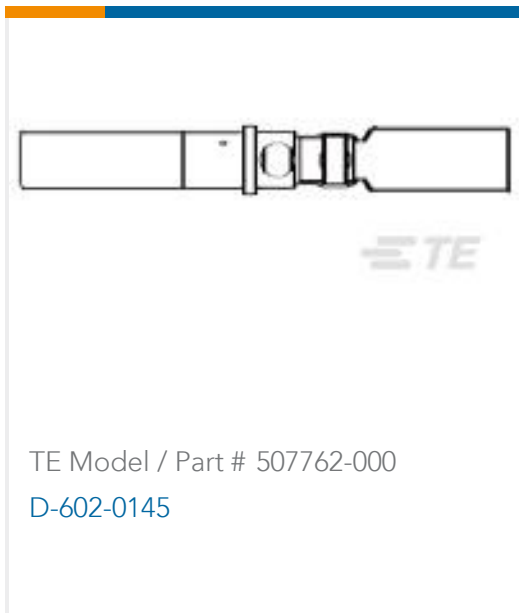
Solder Process Capability

Not applicable for solder process capability

Product Compliance Disclaimer

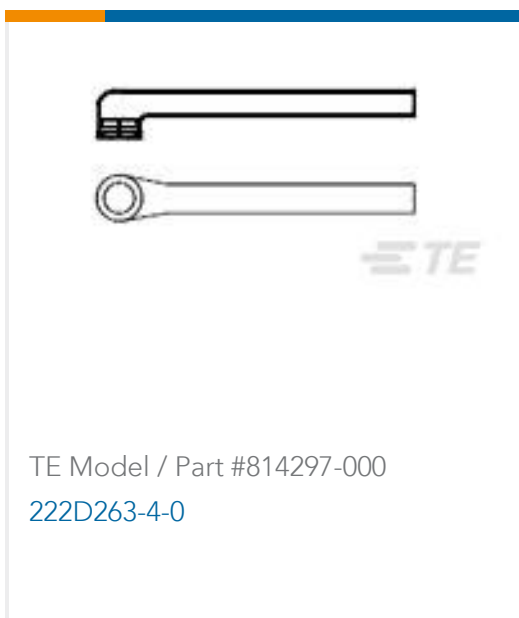
This information is provided based on reasonable inquiry of our suppliers and represents our current actual knowledge based on the information they provided. This information is subject to change. The part numbers that TE has identified as EU RoHS compliant have a maximum concentration of 0.1% by weight in homogenous materials for lead, hexavalent chromium, mercury, PBB, PBDE, DBP, BBP, DEHP, DIBP, and 0.01% for cadmium, or qualify for an exemption to these limits as defined in the Annexes of Directive 2011/65/EU (RoHS2). Finished electrical and electronic equipment products will be CE marked as required by Directive 2011/65/EU. Components may not be CE marked. Additionally, the part numbers that TE has identified as EU ELV compliant have a maximum concentration of 0.1% by weight in homogenous materials for lead, hexavalent chromium, and mercury, and 0.01% for cadmium, or qualify for an exemption to these limits as defined in the Annexes of Directive 2000/53/EC (ELV). Regarding the REACH Regulation, the information TE provides on SVHC in articles for this part number is based on the latest European Chemicals Agency (ECHA) 'Guidance on requirements for substances in articles' posted at this URL: <https://echa.europa.eu/guidance-documents/guidance-on-reach>

### Compatible Parts

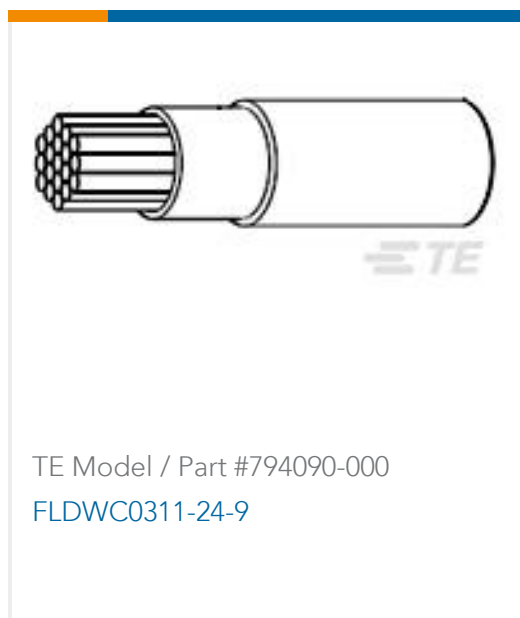


TE Model / Part # 507762-000  
D-602-0145

### Customers Also Bought



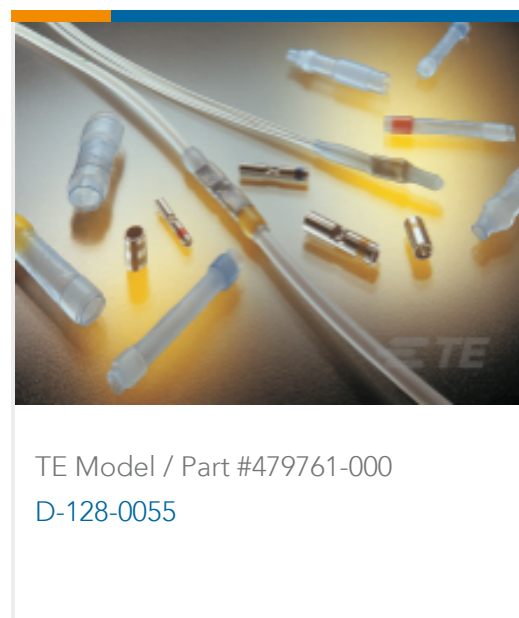
TE Model / Part #814297-000  
222D263-4-0



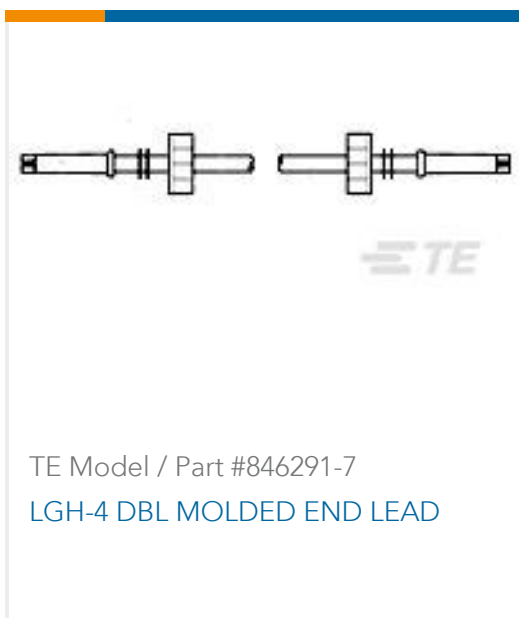
TE Model / Part #794090-000  
FLDWC0311-24-9



TE Model / Part #YDIV46E25-04PAC009  
PLUG ASSY




TE Model / Part #479761-000  
D-128-0055



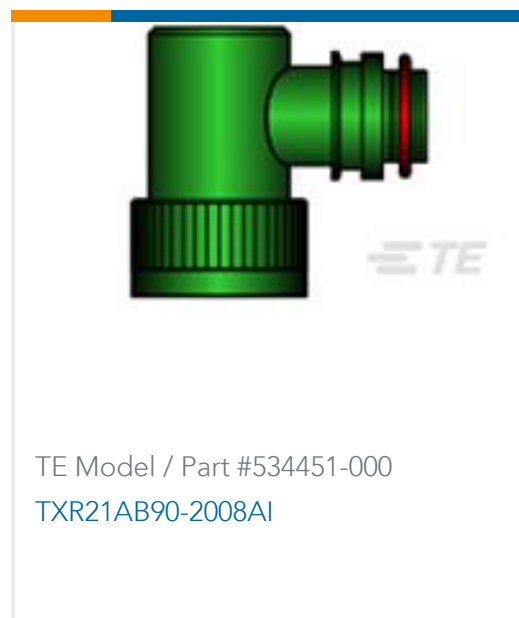
TE Model / Part #846291-7  
LGH-4 DBL MOLDED END LEAD



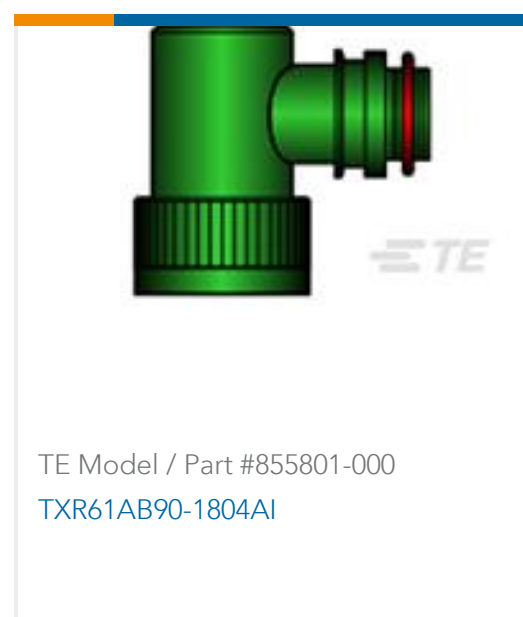
TE Model / Part #CJ5694-000  
BSTS-03X25



TE Model / Part #YDL60R-18-14S8C012  
RECP ASSY



TE Model / Part #534451-000  
TXR21AB90-2008AI



## Documents

### Product Drawings

[2020F0421-9X](#)

English

---

### Datasheets & Catalog Pages

[1654025\\_Sec9\\_CheminaxCables](#)

English

### Wire and Cable Overview

English

---

### Product Specifications

[Product Specification](#)

English