



SuperSeal™ Mighty Mouse Series 801 Receptacles

with Micro "AB" USB Receptacle
and Rear Crimp Contact Wire Termination
801-084 and 801-085 Ordering Information

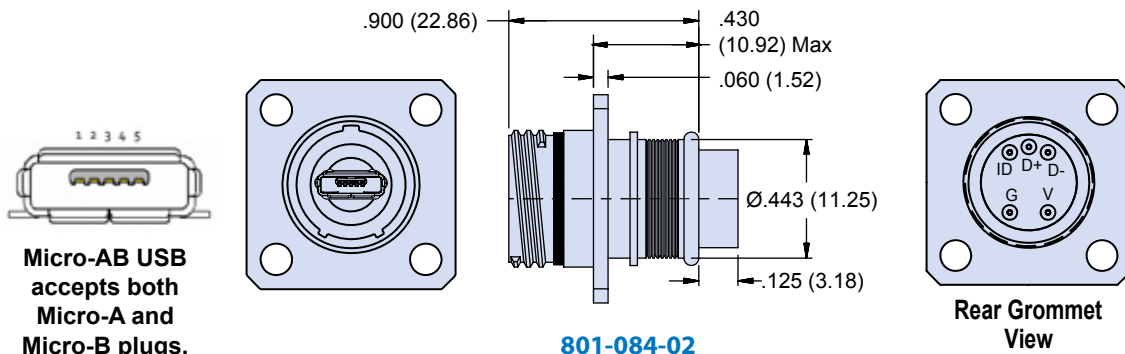


Square Flange Mount, Micro AB USB Receptacle

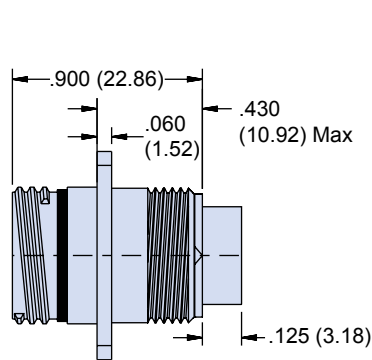
Rear Panel Jam Nut Mount, Micro AB USB Receptacle

| How To Order | | | | |
|---------------------------|--|----------|---|---|
| Sample Part Number | 801-084 | -02 MUSB | -M | A |
| Series (See Table I) | 801-084 = Shield Termination Porch 801-085 = Accessory Threads | | | |
| Shell Style | 02 = Square Flange Mount Receptacle 07 = Jam Nut Mount Receptacle | | | |
| Shell Material and Finish | NF = Cadmium Olive Drab MT = Nickel PTFE | | M = Electroless Nickel ZNU = Black Zinc Nickel | |
| Shell Key Positions | A, B, C, D, E, F | | | |

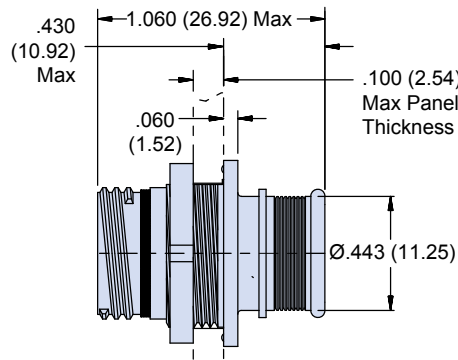
These Micro AB Receptacles Mate with Glenair Plugs 801-082, 801-083, 801-087 and 801-088



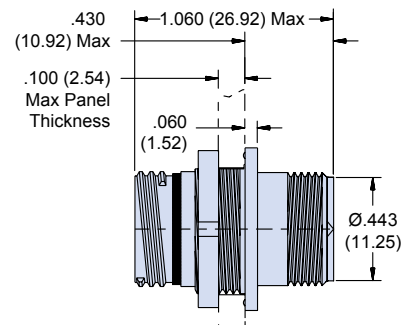
801-084-02
Square Flange Mount Receptacle with Shield Termination Porch



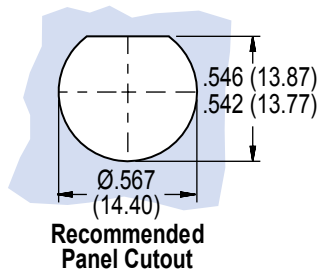
801-085-02
Square Flange Mount Receptacle with Accessory Threads



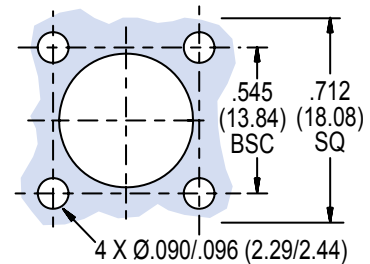
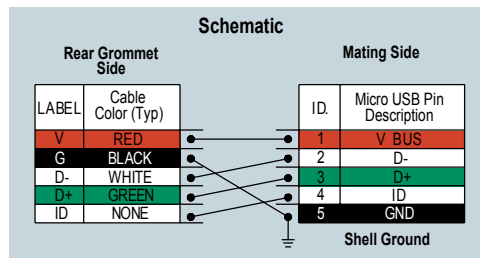
801-084-07
Square Flange Mount Receptacle with Accessory Threads



801-085-07
Jam Nut Mount Receptacle with Accessory Threads



Recommended Panel Cutout



Dimensions in Inches (millimeters) are subject to change without notice.