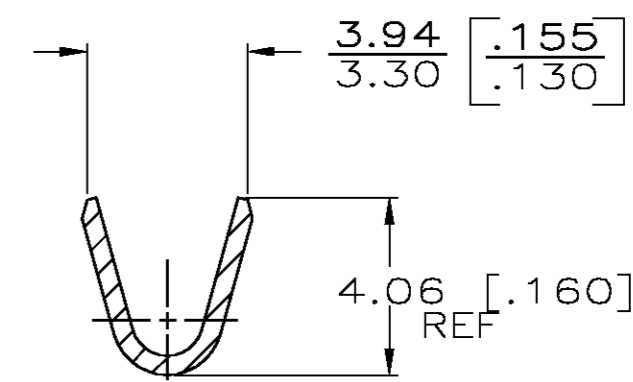
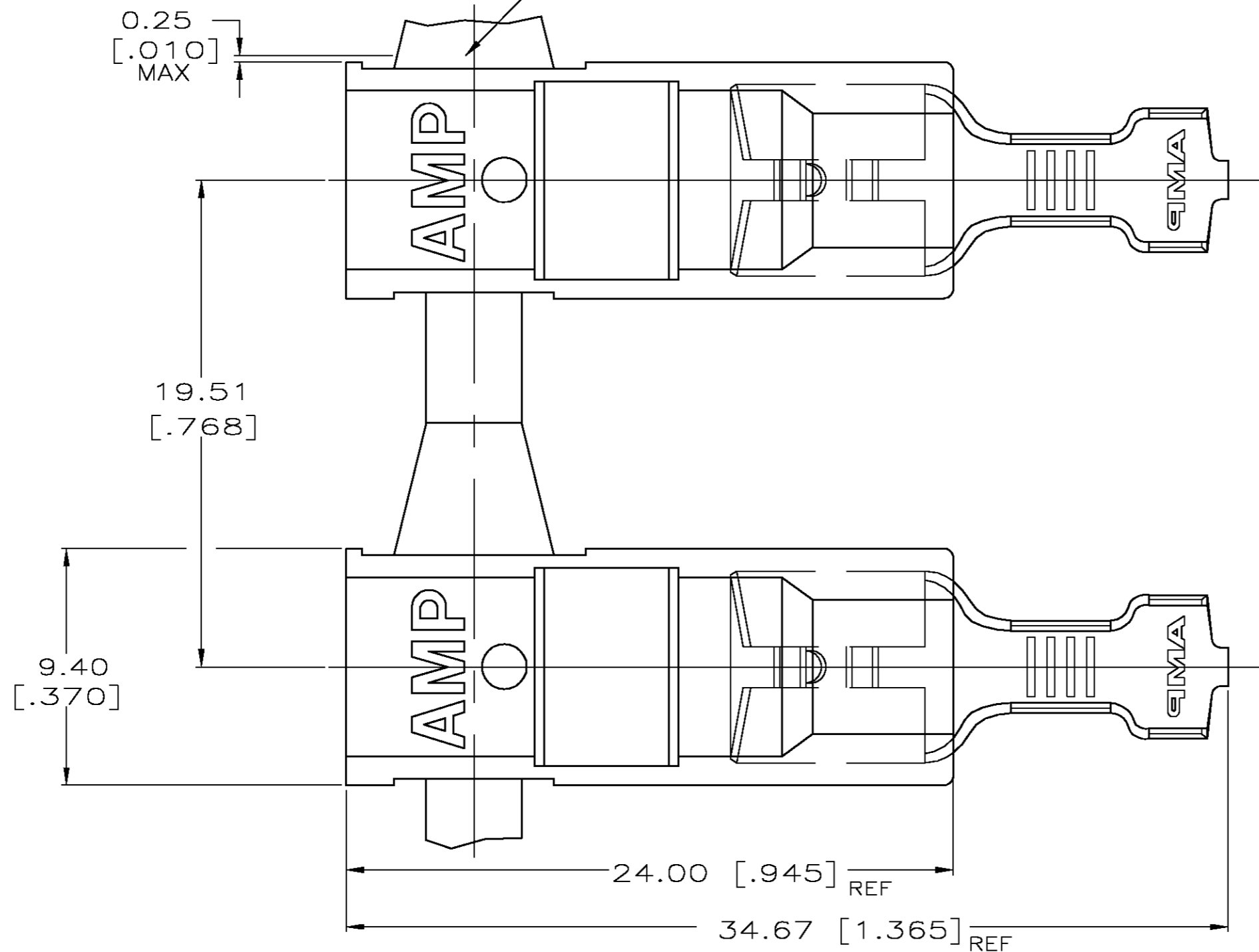


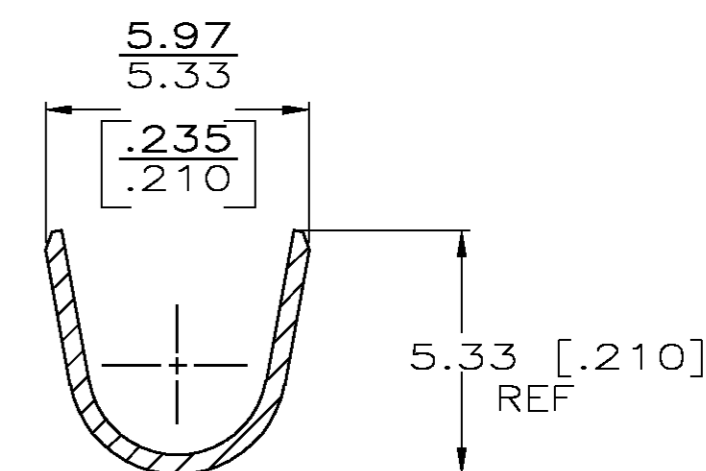
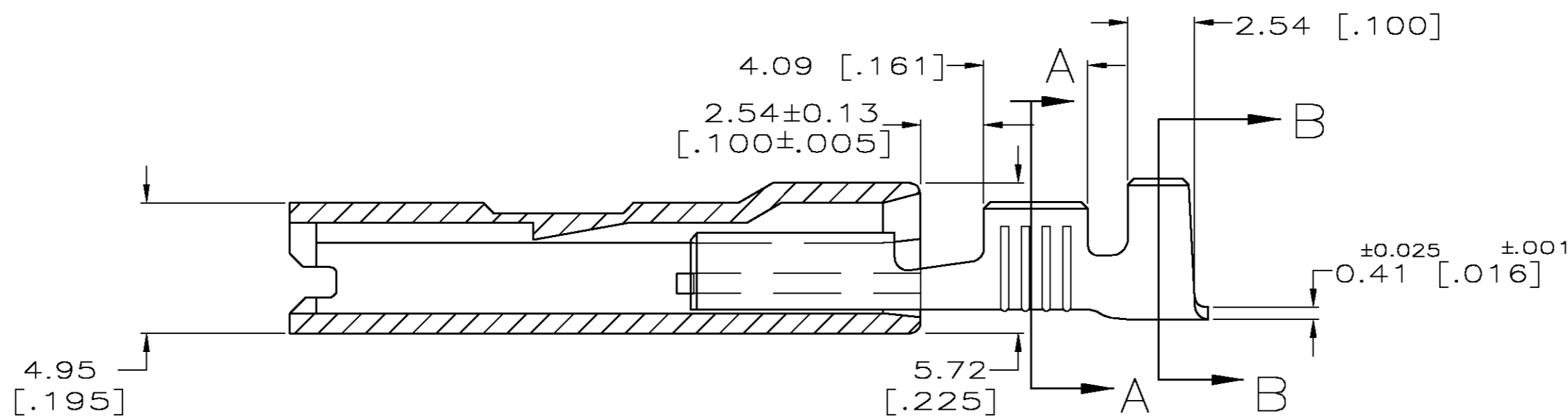
THIS DRAWING IS UNPUBLISHED. RELEASED FOR PUBLICATION
© COPYRIGHT BY TYCO ELECTRONICS CORPORATION. ALL RIGHTS RESERVED.

APPLICATOR CUT-OFF

LOC	DIST	REVISIONS					
AF	50	P	LTR	DESCRIPTION	DATE	DWN	APVD
		K		REV PER 0G3A-0194-05	22JUN05	JR	GP



SECTION A-A



SECTION B-B

1 PREMIER FASTON TERMINALS, BASE P/N 42219 ARE USED FOR -1. LOW-INSERTION FASTONS, BASE P/N 63306 ARE USE FOR -2.

2 NICKEL PLATE 0.00381 [.000150] MIN

3 TIN PLATE 0.002032 [.000080] MIN.

4 MATERIAL: HOUSING - 4/6 NYLON (150°C)
TERMINAL - SEE TABLE

5 FINISH: HOUSING - COLOR, BLACK
TERMINAL - SEE TABLE

OBSOLETE	BULK	#4M HD BRASS	3 TIN	2.79-4.32 [.110-.170] DIA	0.8-2.0 mm ² [18-14]	0.813 [.032]	5-521011-2
OBSOLETE	BULK	#2 HD STEEL	2 NICKEL				5-521011-1
	STANDARD	#4M HD BRASS	3 TIN				521011-2
	STANDARD	#2 HD STEEL	2 NICKEL				521011-1
	PACKAGING	TERMINAL MATERIAL	TERMINAL FINISH	INSULATION RANGE	WIRE SIZE	MATING TAB THK ±0.025 [±.001]	PART NO.

THIS DRAWING IS A CONTROLLED DOCUMENT.

DIMENSIONS: INCHES	TOLERANCES UNLESS OTHERWISE SPECIFIED:
0 PLC ± -	1 PLC ± -
2 PLC ± -	3 PLC ± 0.25 [.010]
4 PLC ± -	ANGLES ± -
MATERIAL - 4	FINISH - 5

DWN JR RUTH 12/7/92	Tyco Electronics Corporation Harrisburg, Pa 17105-3608
CHK MS FEHER 12/7/92	
APVD V KARABCEVSKY 12/7/92	
NAME	
PRODUCT SPEC 108-1285	ASSEMBLY, ULTRA-POD, RECEPTACLE, 6.35 [.250] SERIES
APPLICATION SPEC 114-2124	SIZE A2 CAGE CODE 00779 DRAWING NO C=521011
WEIGHT -	RESTRICTED TO -
CUSTOMER DRAWING	SCALE 5:1 SHEET 1 OF 1 REV K