

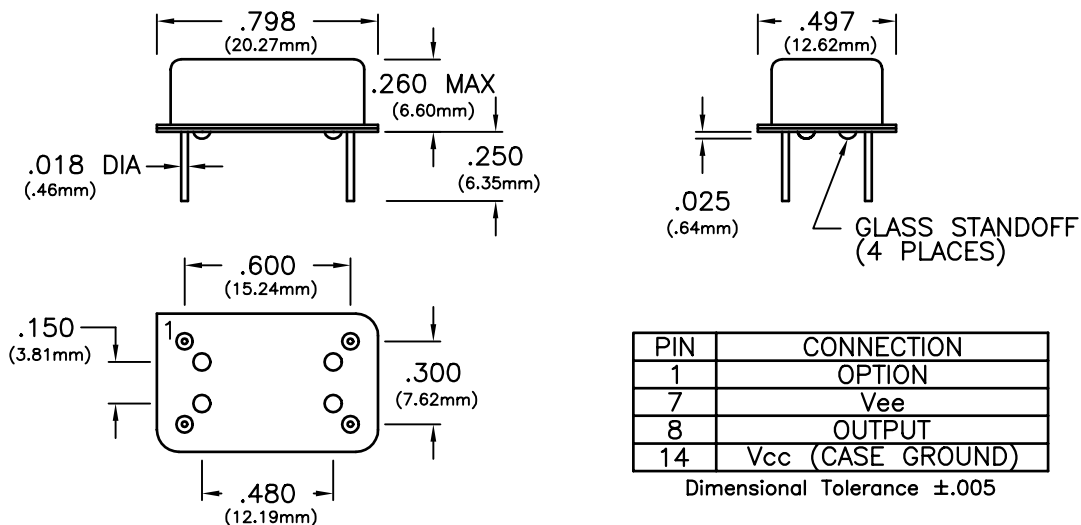


# CONNOR-WINFIELD CORPORATION

AURORA, IL. 60505  
 PHONE (630) 851-4722  
 FAX (630) 851-5040

## 14 PIN DIP ECL

SPECIFICATIONS	EH01-51*	EH01-52*	EH01-53*	EH01-54*
Frequency Range	10MHz to 400MHz			
Frequency Stability	±25ppm	±50ppm	±100ppm	±20ppm
	(Inclusive of calibration tolerance at 25°C, operating temperature range, input voltage change, load change, aging, shock and vibration)			
Temperature Range	0°C to +70°C			
Output	Waveform	ECL Squarewave, 10K Compatible		
	Voltage Voh	-1.02 Minimum, -0.735 Maximum		
	Vol	-1.95 Minimum, -1.60 Maximum		
	Duty Cycle	45/55 Maximum measured at 50% level		
	Rise/Fall Time	2.3nS Maximum		
Output must be terminated into 50 ohms to -2Vdc referenced to Vcc				
Supply Voltage	-5.2Vdc ±5%			
Supply Current	85mA Maximum			
Package	All metal, hermetically sealed, welded package			
Options *	0	Pin 1: No Connection		
	1	Pin 1: Complementary Output		
	2	Pin 1: Enable/Disable Enable; Low Level, Vil (-1.60V Max), Disable; High Level, Vih (-1.02V Min) NOTE: When oscillator is disabled the output is in a low state (vol)		
(add letter to end of model number)				



PIN	CONNECTION
1	OPTION
7	Vee
8	OUTPUT
14	Vcc (CASE GROUND)

Dimensional Tolerance ±.005

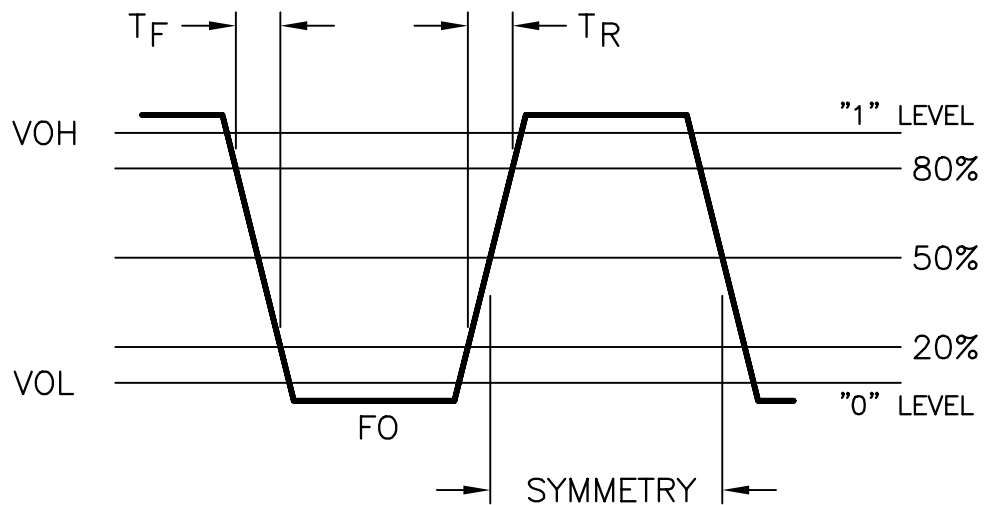
Specifications subject to change without notice



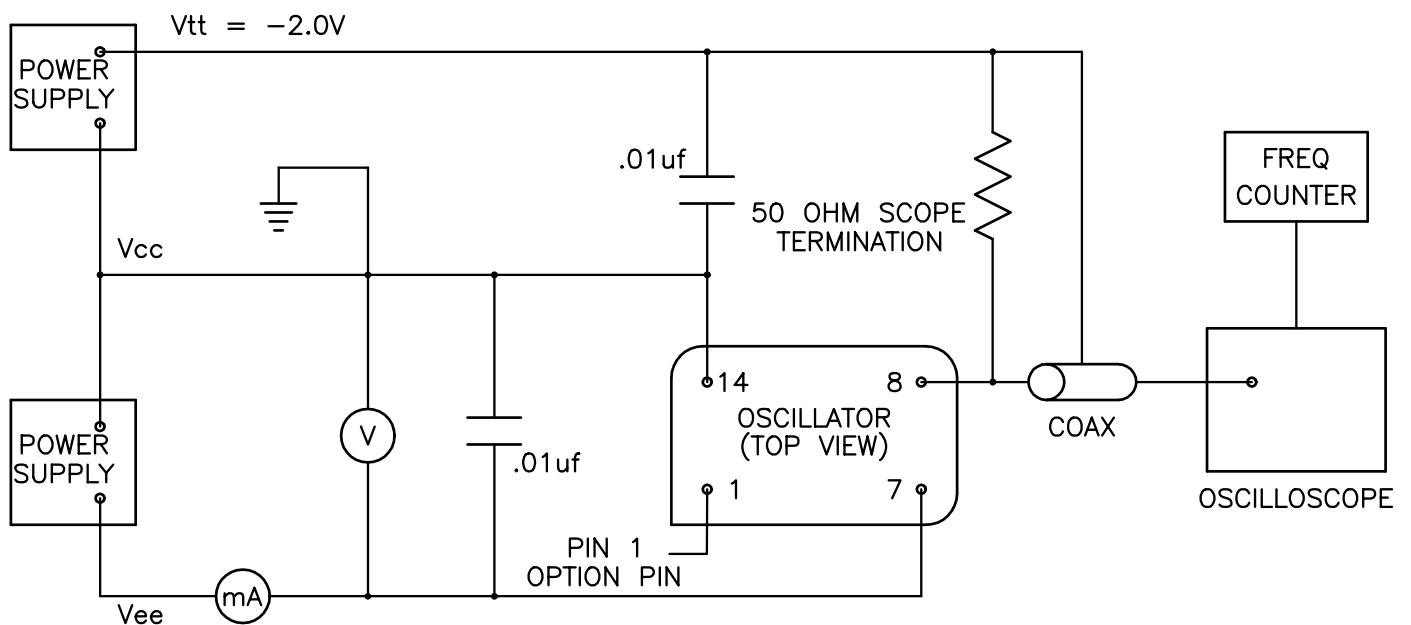
# CONNOR-WINFIELD CORPORATION

AURORA, IL. 60505  
PHONE (630) 851-4722  
FAX (630) 851-5040

## OUTPUT WAVEFORM



## TEST CIRCUIT



Specifications subject to change without notice

BULLETIN #: EC054  
PAGE 2 OF 2

REV: 01  
DATE: 4/21/95

ISSUED BY: \_\_\_\_\_